

# TOP/BOTTOM DRAWER TABLO.

*Michel César*



- + Three top thickness' available: Fine (12.6mm), Standard (25mm), and Deep (70mm).
- + Paint — The paint used on our products is polyurethane or UV based. It is five times harder and more durable than lacquer finishes. Hundreds of gloss colour options available.
- + Timber finishes — Our timber finishes are available in Dark Oak, Natural Oak, White Oak, Walnut, Noce, Chestnut and Tussock. Being 100% natural products, each will have variations in grain and colour. All come stained and sealed with a protective UV finish. Gloss option is available for most veneers.
- + Also available with double drawer.
- + Top made of a composite acrylic. Prices are for white but other colours include; porcelain, concrete, night, carrera and black storm.
- + Many basin options.

## Vanity Finishes



## Acrylic Top Finishes



Note: Walnut Finish not available for vanity with Vertical Grooves

1800.mm



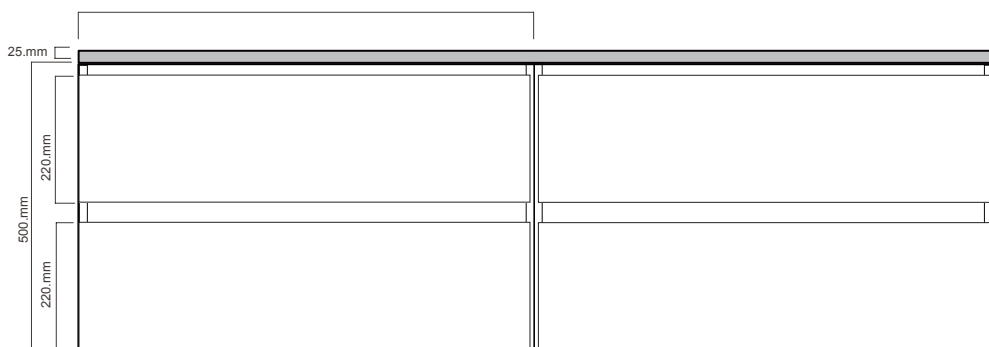
500mm

TOP VIEW

Top is available in 3 thicknesses



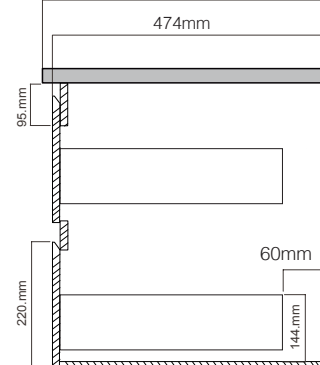
900.mm



25.mm  
220.mm  
500.mm  
220.mm

FRONT VIEW

500mm



95.mm

60mm

144.mm

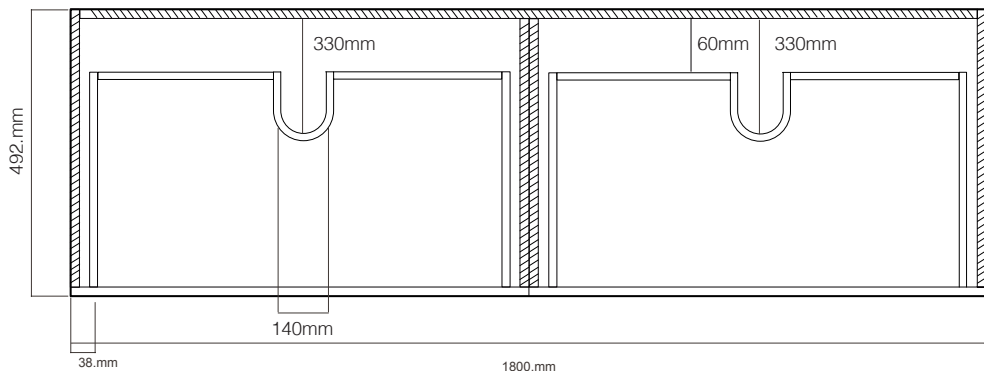
SIDE VIEW

**TOP/BOTTOM  
DRAWER  
TABLO.**

TB180D4DB  
TB180D4DBTA

Discription: Tablo  
1800, 4 Drawer,  
Double bowl, White/  
Timber Venner

Note: Drawing indicate the  
technical measurement only and is  
not a reflection of how the unit  
will look.



492.mm

330mm

60mm 330mm

140mm

38.mm

1800.mm

DRAWER