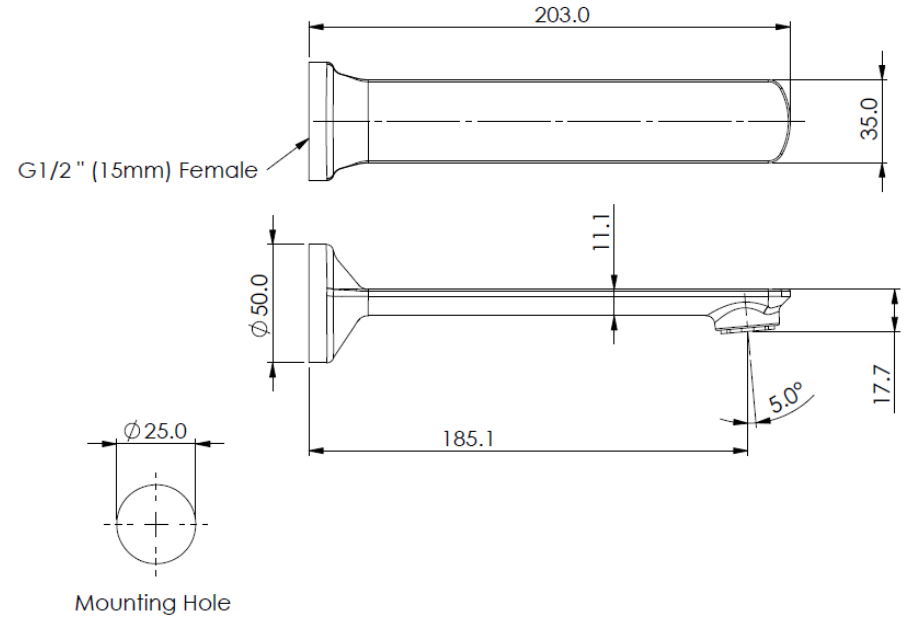




ASTRO II WALL MOUNTED BATH SPOUT INSTALLATION INSTRUCTIONS

PRODUCT #

BATCH #



Please contact country of purchase.

NZ

Distributed by: Greens Global Limited
PO Box 5055, Hamilton, 3200
22 The Boulevard, Te Rapa, Hamilton 3200
Phone: 07 849 0109, Fax: 07 849 0540
Website: www.greenstapware.com
Email: nzsales@greenstapware.com
Service Hotline: 0800 655 455

Australia:

Distributed by: Greens Global (Australia) Ltd
10/101 Wedgewood Rd, Hallam, Victoria 3803
Phone: 1800 244 487 Fax: 1800 244 212
Email: aussales@greenstapware.com
Website: www.greenstapware.com
Service Hotline: 1800 244 992

Suitable for use with high, low and unequal pressure supply networks.

NOTE: For finished wall, please refer to mixer drawing to ensure the spout flange covers the mounting hole.

1. Install spout with **15mm parallel thread with minimum of 10mm of thread from finished wall** (thread not supplied).
 - a. Ensure seal is in place.
 - b. Additional sealant is required for uneven surfaces.

Installation shall be in accordance with the AS/NZS3500 series of standards.

Please leave this instruction sheet with the customer.

For full warranty terms and conditions, please see the warranty card enclosed with this product or visit www.greenstapware.com/warranty-and-care/

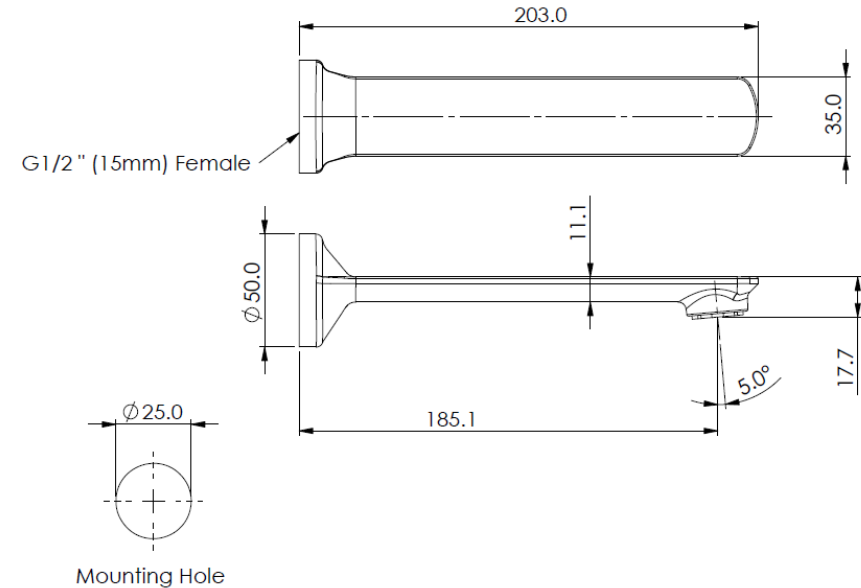
#40146 09/20



ASTRO 2 WALL MOUNTED BATH SPOUT INSTALLATION INSTRUCTIONS

PRODUCT #

BATCH #



Suitable for use with high, low and unequal pressure supply networks.

NOTE: For finished wall, please refer to mixer drawing to ensure the spout flange covers the mounting hole.

1. Install spout with **15mm parallel thread with minimum of 10mm of thread from finished wall** (thread not supplied).
 - a. Ensure seal is in place.
 - b. Additional sealant is required for uneven surfaces.

Installation shall be in accordance with the AS/NZS3500 series of standards.

Please leave this instruction sheet with the customer.

For full warranty terms and conditions, please see the warranty card enclosed with this product or visit www.greenstapware.com/warranty-and-care/

40146 09/20

Please contact country of purchase.

NZ

Distributed by: Greens Global Limited
PO Box 5055, Hamilton, 3200
22 The Boulevard, Te Rapa, Hamilton 3200
Phone: 07 849 0109, Fax: 07 849 0540
Website: www.greenstapware.com
Email: nzsales@greenstapware.com
Service Hotline: 0800 655 455

Australia:

Distributed by: Greens Global (Australia) Ltd
10/101 Wedgewood Rd, Hallam, Victoria 3803
Phone: 1800 244 487 Fax: 1800 244 212
Email: aussales@greenstapware.com
Website: www.greenstapware.com
Service Hotline: 1800 244 992