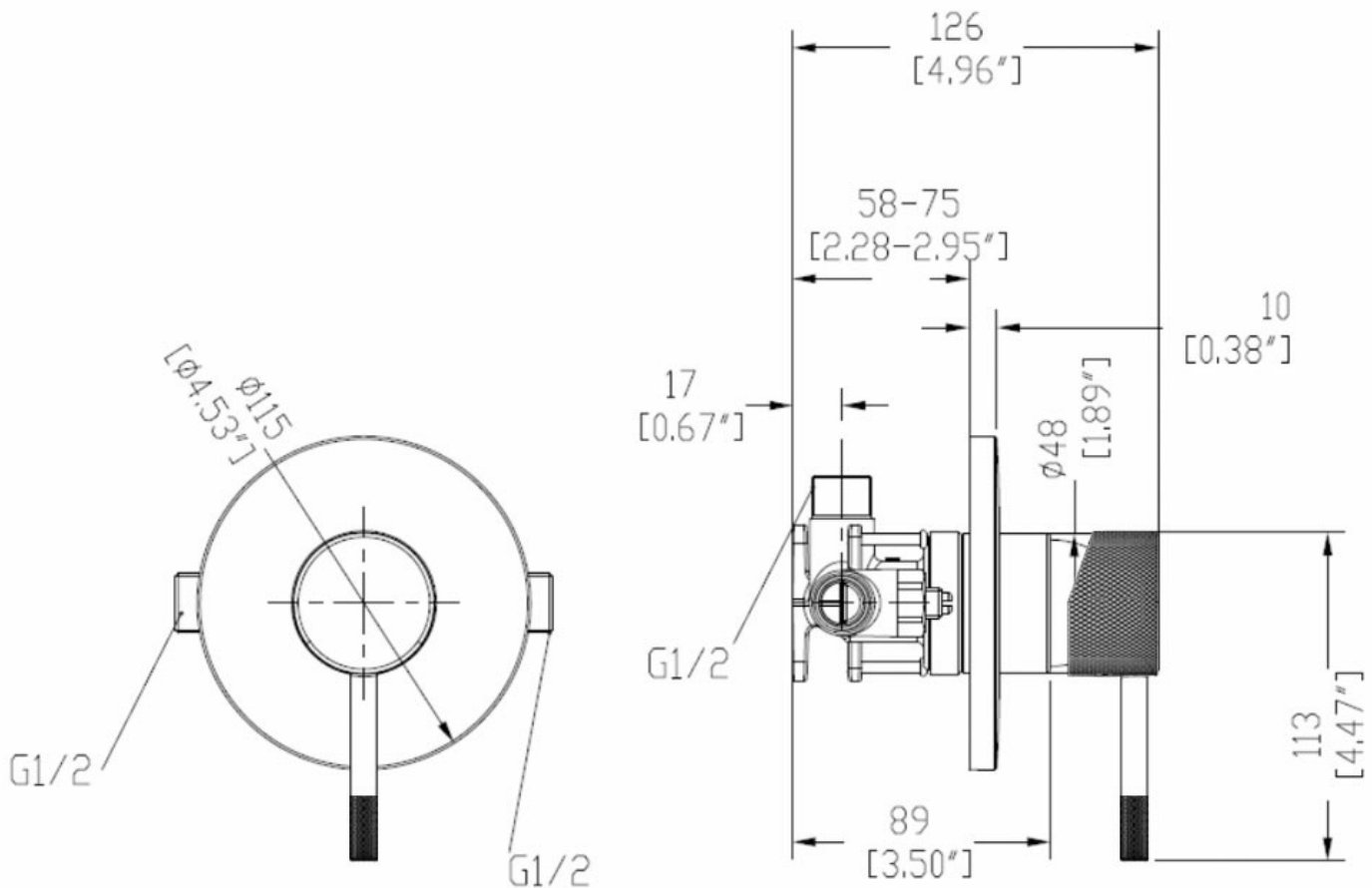


## UNO ETCH MULTI PRESSURE SHOWER MIXER - BLACK

41670.13

ELEMENTI



### Etched Handle

An etched handle gives an industrial aesthetic with the cross cut texture also providing additional grip for easier operation.



### Residential/Light Commercial Use

Suitable for Residential/Light Commercial Use (Kitchens, Bathrooms and Laundries in Hotels, Motels and Retirement Villages).

5

### Guarantee

5 Year Guarantee on coloured finish

10

### Guarantee

10 Year Guarantee



### Multi Pressure

Suitable for Multi Pressure.





**Flawless Finish**

Advanced plating provides a durable surface with a long lasting finish



**Effortless Control**

Advanced cartridge technology provides a wide operating angle and smooth operation



**Blackened Oil  
Bronze: Black**

Parts are firstly nickel plated then blackened oxidation process to apply the base colour. and a transparent liquid polymer is applied achieve a mat finish and hardened surface.



**Electroplated: Gun  
Metal**

Electrical current is used to dissolve components into Lacquer that then adhere to the surface.



**Electroplated with  
PVD: Brushed Nickel**

Electrical current is used to dissolve components into Lacquer that then adhere to the surface. A thin metal-spray coating in the form of very thin layers is finally applied using PVD process.



**Electroplated with  
PVD: Brushed Brass**

Electrical current is used to dissolve components into Lacquer that then adhere to the surface. A thin metal-spray coating in the form of very thin layers is finally applied using PVD process.

An etched handle gives Uno Etch tapware an industrial aesthetic with the cross cut texture also providing additional grip for easier operation.