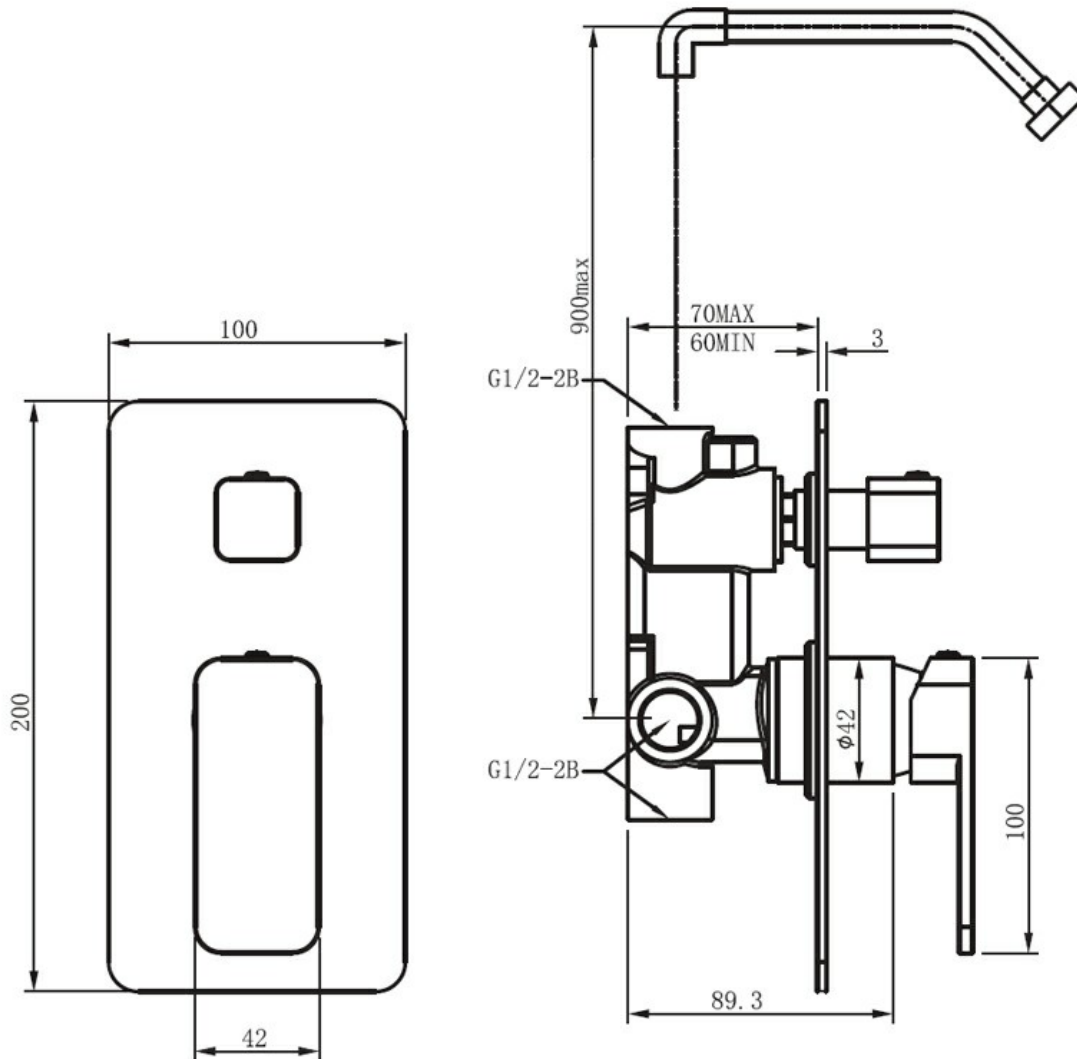


NEO DIVERTER MIXER - GUN METAL

44241.29
\$625

ELEMENTi



Residential/Light Commercial Use

Suitable for Residential/Light Commercial Use (Kitchens, Bathrooms and Laundries in Hotels, Motels and Retirement Villages).

5

Guarantee

5 Year Guarantee on coloured finish

10

Guarantee

10 Year Guarantee



Mains Pressure

Suitable for Mains Pressure.



Flawless Finish

Advanced plating provides a durable surface with a long lasting finish



Effortless Control

Advanced cartridge technology provides a wide operating angle and smooth operation





Chrome Plate

A base of copper is first applied followed by a layer of nickel and then finally a hard gloss coating of chromium to achieve a shiny hard wearing finish.



Electroplated: Gun Metal

Electrical current is used to dissolve components into Lacquer that then adhere to the surface.



Powder Coated: Black

Epoxy powder coating. Cured at 200°. Coating thickness 50- 60 microns. 240 Hours salt spray tested (equivalent to 6 years corrosion resistance).

Crisp clean lines coupled with gentle refined curves offering a geometric design without the harsh edges.