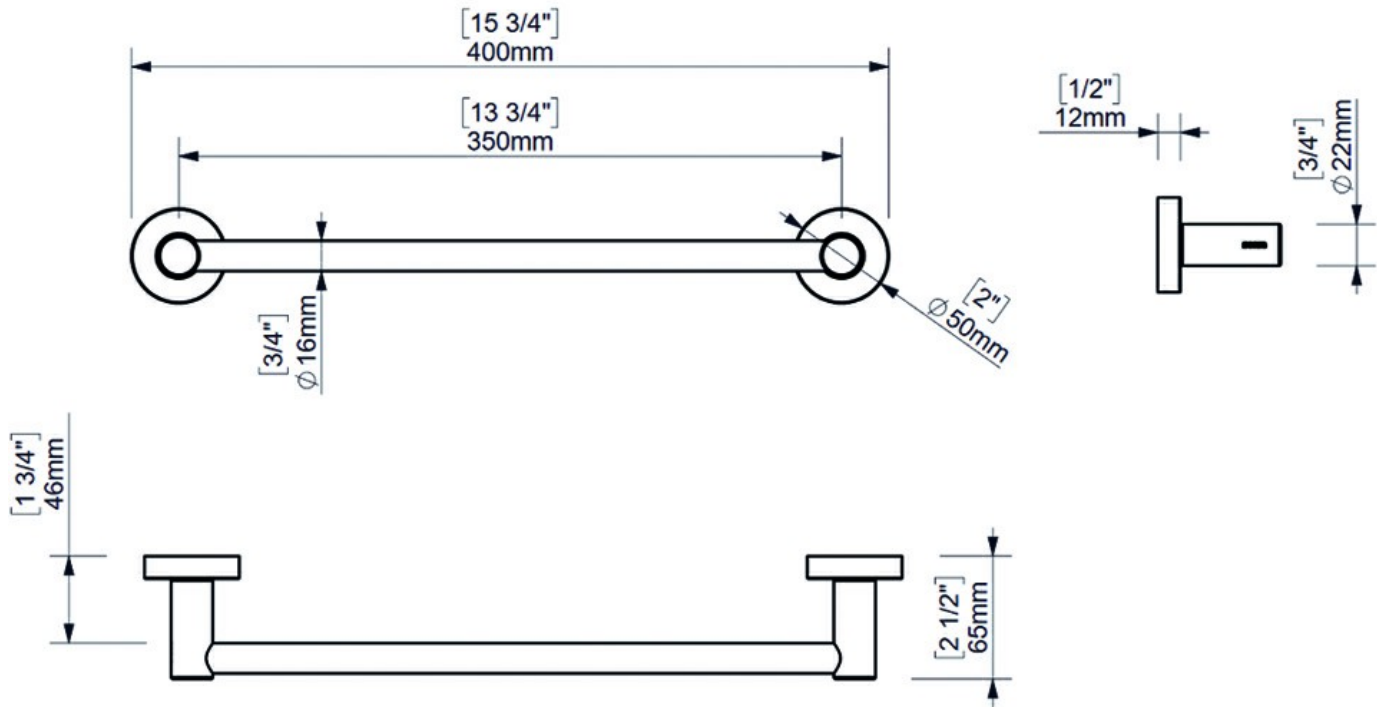


ASTRAL TOWEL RAIL 350MM CHROME

60513.02

ELEMENTi



Residential/Light
Commercial Use

Suitable for Residential/Light Commercial Use (Kitchens, Bathrooms and Laundries in Hotels, Motels and Retirement Villages).

