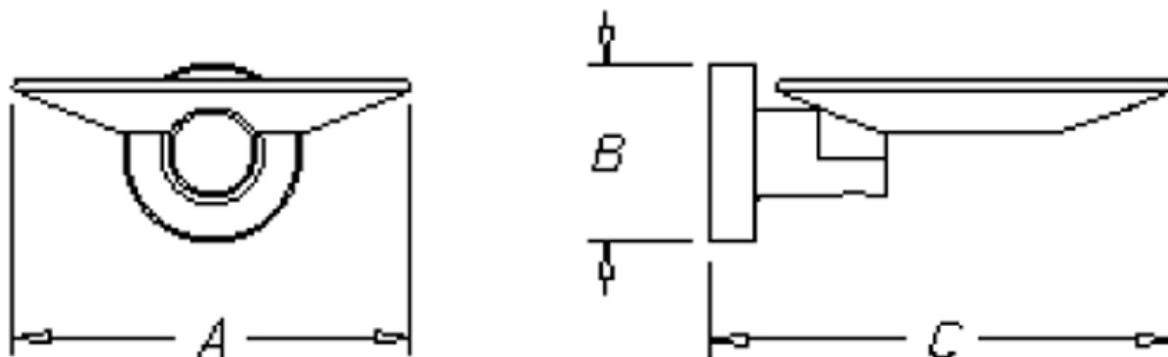


PROJECT METAL SOAP DISH OPEN - CHROME

60921.02

ELEMENTI



A: 112 mm / 4,41"

B: 50 mm / 1,97"

C: 130 mm / 5,12"



Residential/Light Commercial

Suitable for Residential/Light Commercial Use (Kitchens, Bathrooms and Laundries in Motels, Hotels and Retirement Villages)

10

Guarantee

10 Year Guarantee



Made in Spain



Galvanic Plating:  
Chrome

Galvanic plating process. Covering with 0,3 – 0,4 microns chrome average. 240 Hours salt spray tested (equivalent to 6 years corrosion resistance).



Galvanic Plating:  
Brushed Nickel

Galvanic plating process protected with transparent lacquer coating (thickness 40-50 microns). 120 Hours salt spray tested (equivalent to 2 years resistance).





Galvanic Plating:  
Brushed Brass

Galvanic plating process protected with transparent lacquer coating (thickness 40-50 microns). 120 Hours salt spray tested (equivalent to 2 years resistance).

---



Powder Coated:  
Black

Epoxy powder coating. Cured at 200°. Coating thickness 50- 60 microns. 240 Hours salt spray tested (equivalent to 6 years corrosion resistance).

---



Powder Coated: Gun  
Metal

Epoxy powder coating. Cured at 200°. Coating thickness 50- 60 microns. 240 Hours salt spray tested (equivalent to 6 years corrosion resistance).

---

Project is a sleek, minimalist styled accessory range that will compliment your new bathroom.