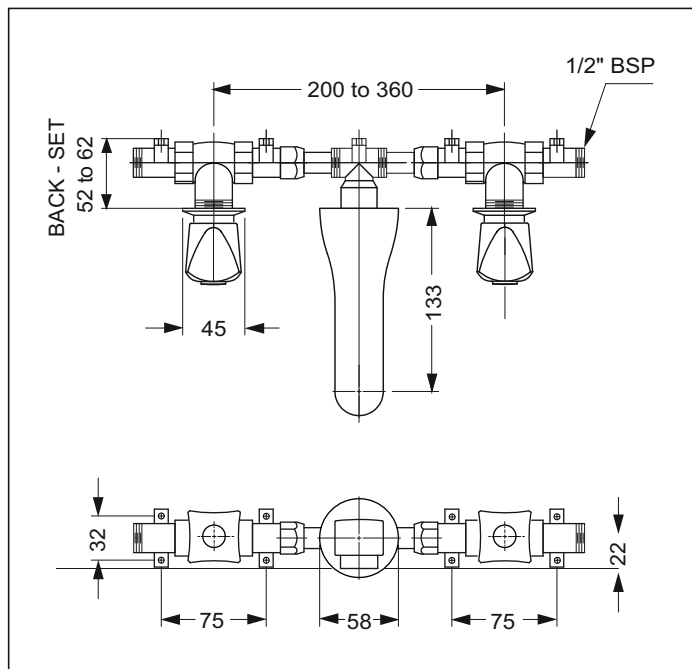


# Berlino

## Wall Mounted Basin Set



**Code:** BE BSETWM

**Finish:** Chrome

**Mechanism:** Ceramic mechanisms

**Spout:** Chromed cast brass. Fixed

Base diameter = 58mm length = 150mm

Any spout with 1/2" or 3/4" BSP female can be used

**Body:** Swaged brass with wingbacks on inlets & outlets for mounting to backboard

**Handle:** Chrome plated, die cast zinc

**Water Inlet:** 1/2" BSP male wingback

**Water Outlet:** Large aerator

Wingbacks at spout & both sides of taps

**Mounting:** Installation holes: Taps: 26 to 35mm

Spout: 26 to 35mm

Taps: Centre to centre = 200 to 360mm

Backset = 52 to 62mm

Base seal: Taps: 028 (34.65 X 1.78mm)

Spout: 38 X 2.5mm

**Breach:** 1/2" copper pipe - length: 25mm with 3/4" BSP threaded brass tube

**Flow Control:** Nil or only by tap adjustment

**Features:** High flow for filling bath etc.

**Pressure Range:** 35 - 600 kPa

**Water Flow:** Max hot water flow @ 35kPa

**Warning:** Water must flow through the taps in the correct direction

aquatica



KIWI OWNED COMPANY

NZ

• DESIGNED  
• ASSEMBLED  
• TESTED



**Aquatica NZ Limited**

9 Saunders Place,  
Avondale, Auckland.

Tel: 09-828 2068,

Fax: 09-828 2069

Email: [info@aquatica.co.nz](mailto:info@aquatica.co.nz)

or visit our website:

[www.aquatica.co.nz](http://www.aquatica.co.nz)

© copyright Aquatica 2019

**Suitable for low/unequal & mains pressure systems**

Recommended Operational Pressure Range: 35 - 600 kPa

Maximum Operating Temp: 70°C Never to Exceed: 1000 kPa

**No WELS rating required**