



IMPORTANT

- Leave these instructions with the home owner after installation.
- Please unwrap the bath and check it carefully to ensure it has not been damaged in handling or transport.
- Please check that all parts have been supplied.
- Assemble the bath on a mat to protect against damage to the bath surface.
- Please do not remove old fixtures before you unpack and inspect the new unit.
- Store the bath in a safe place until you begin installation.
- This bath can be drilled for tap holes as well as being suitable for free standing taps, supplied with template.
- Any installation should be carried out by a qualified tradesman with knowledge of statutory plumbing requirements in your area.
- This product requires multiple people to lift – use proper lifting techniques.
- This installation guide does not include details of waste connection; final decisions about installation of waste connection should be taken by a suitably qualified person.
- This bath has a 5 year warranty, however waste is limited to 1 year.

Do NOT over-tighten the waste as this may cause long term damage to the bath. We recommend to use a torque wrench to tighten the waste.

Care and Maintenance

Repairing a scratch: If any scratches occur during installation these can be removed by rubbing with a 1500+ grit waterproof abrasive paper and water. Re-polish the surface afterwards using a neutral automotive colour restorer or household metal polish. For best results limit sanding to the smallest possible area around the scratch. It may be possible to polish very fine scratches away without using abrasive papers: scrubbing gently with a soft brush or plastic pad (not metal scouring pad) and a mildly abrasive cream cleaner. Afterwards scrub the whole area with plenty of clean water and re-polish as before. It is advisable always to run in some cold water before turning on the hot tap. Extreme heat such as that generated by cigarettes or portable heaters can damage Acrylic surfaces. Do not use such items near your bath.

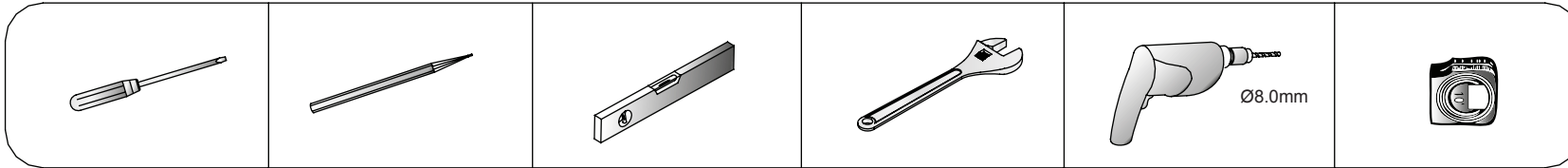
Everyday Cleaning We recommend a non-abrasive bathroom cleaner.

WARNING

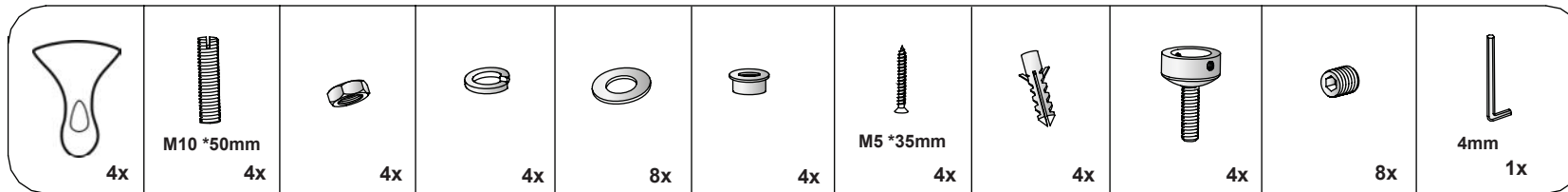
- Never use bleach products, caustic soda and/or ethyl alcohol (for example Lysoform) or other specifically manufactured cleaners. In case of contact, rinse immediately with water.
- Please note that hair dye/colouring or oil based colours may discolour your bath. Avoid using any strong dye or colour in or near your bath.
- When using underfloor heating please take care not to put the heating pipes/mats underneath the bath area. The bath should not sit on a heated floor.
- Bath mat or suction mats must be avoided – might cause damage to the surface over time.



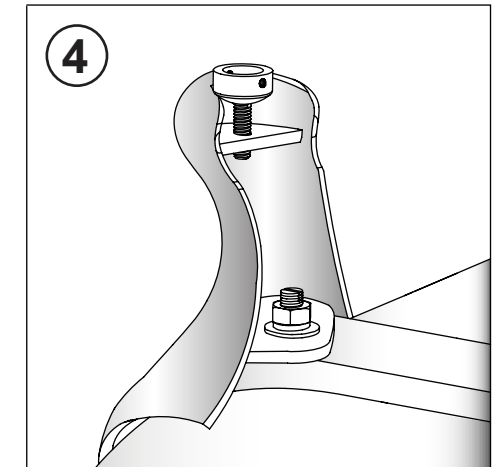
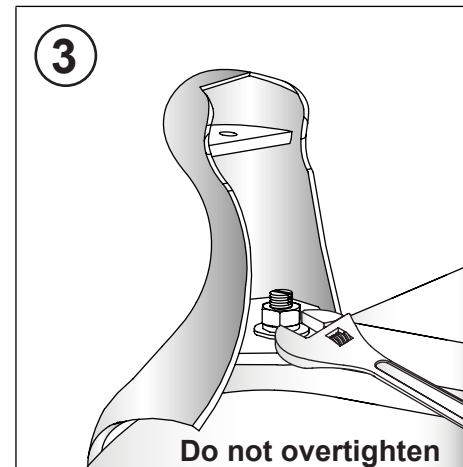
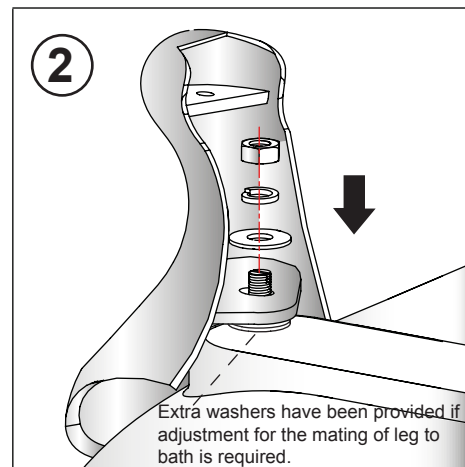
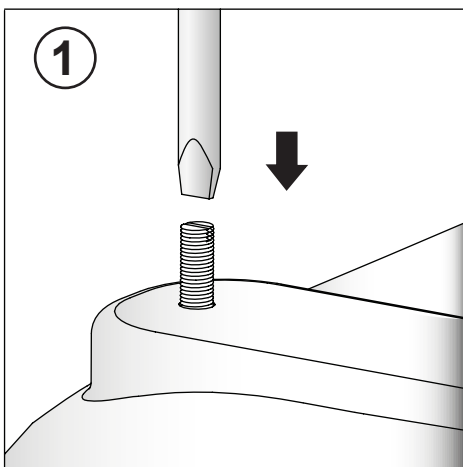
Tools required:

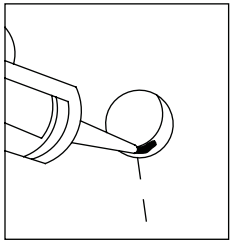
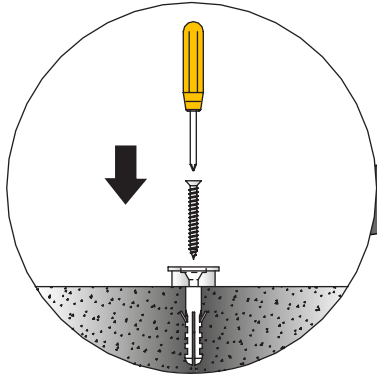
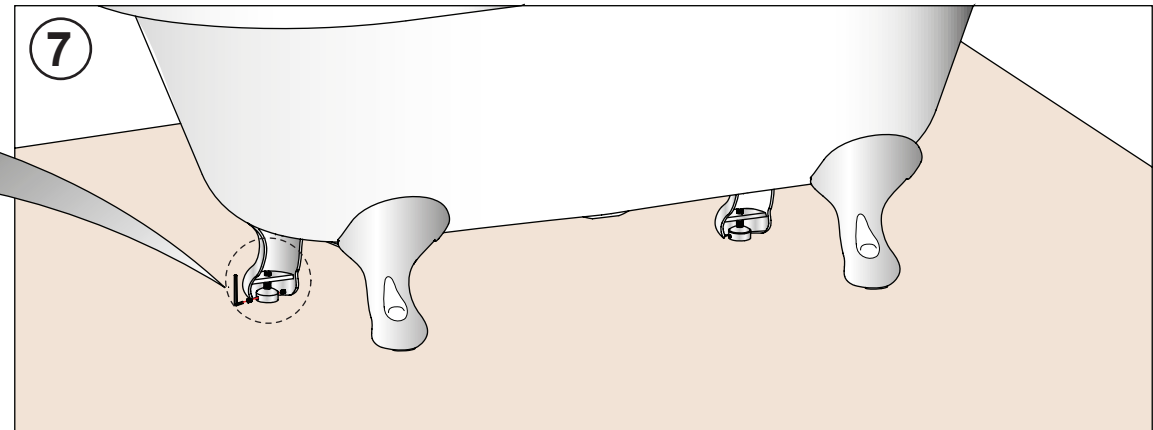
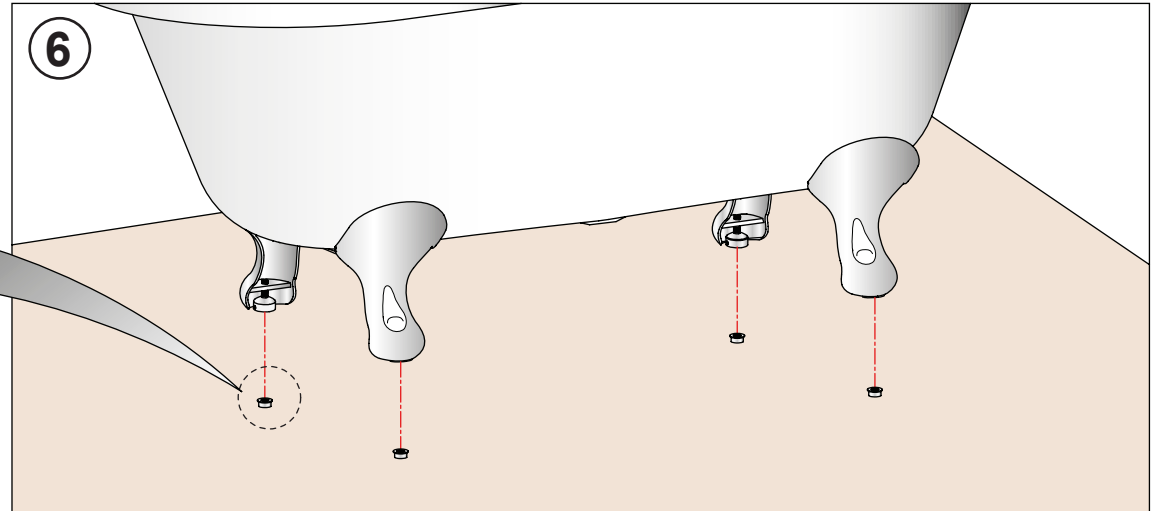
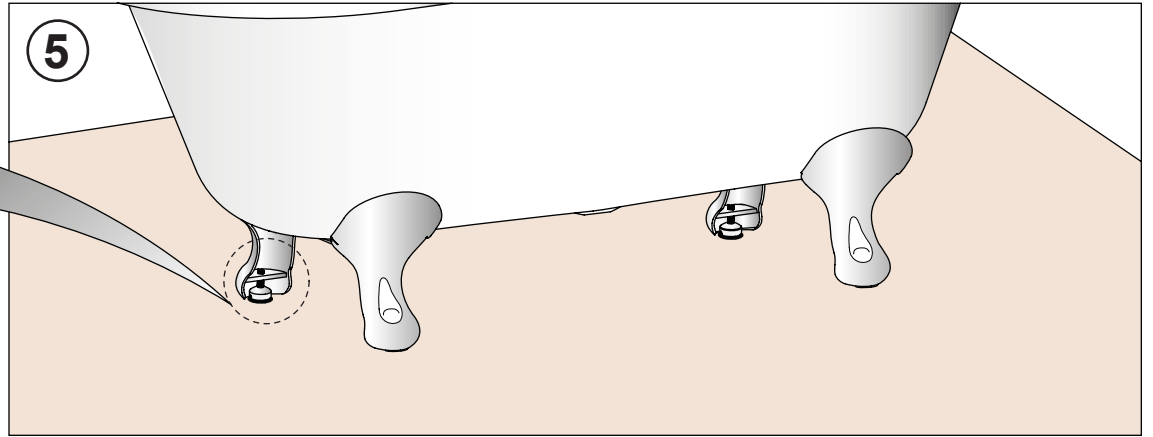
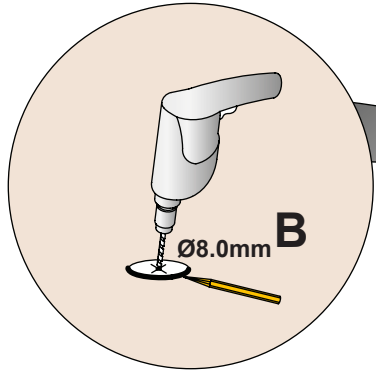
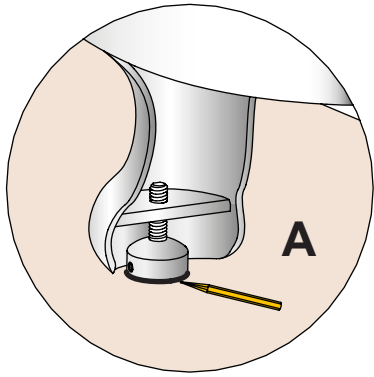


Parts supplied:



- Prior to installation check that all parts have been supplied.
- Assemble bath on a mat to protect against damage to bath surface.
- Bath diagram shown below is for reference only and bath legs fit to all baths.
- This product requires a two person lift - use proper lifting techniques.
- This installation guide does not include details of waste connection; final decision about installation of waste connection should be taken by a suitably qualified person.
- Follow each step in turn.





Once the bath is in the general position ready to be plumbed in, we suggest fitting the waste and overflow to the bath. Before you do this Burlington insists you smear silicone sealant around the inside of the overflow and waste to ensure a totally water tight seal. This is shown in the diagram above.