

# SPECIFICATION SHEET

## Cosmetic Magnifying Mirror Kit

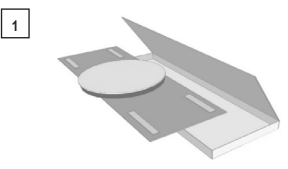
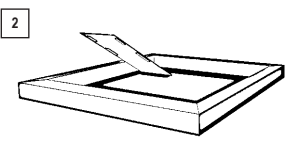
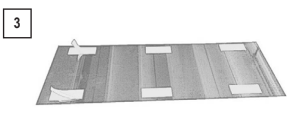
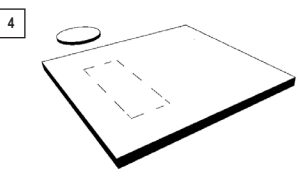
Code: 7401



### Features

- Cosmetic X3 magnification mirror attaches to the front of the mirror with a magnetic panel fixed to the reverse of the mirror. Once the magnetic panel is positioned on the reverse of the mirror, the magnifying mirror is able to be placed freely across the wall mounted mirror in line with the magnetic panel on the reverse.
- Includes Magnifying Mirror, Magnetic Panel and Metal Support
- Compatible with the Ambience, Broadway and Westfield Mirrors
- Cosmetic Mirror dimensions  $\varnothing 140\text{mm}$
- X3 Magnification Mirror
- Made in Italy

### Technical Details

			
<p>Step 1: Check Box content: magnifying mirror with magnet; metal plate with double-sided adhesive tape.</p>	<p>Step 2: Choose position on front of mirror where the magnetic mirror is to be located. We recommend test hanging the mirror first*</p>	<p>Step 3: Remove the protection of the double-sided tape.</p>	<p>Step 4: Check the position of the metal plate and apply. Note: The metal backing plate can be located over a demister pad but not over any wires and should be 10mm clear of any wiring connectors or switches.</p>

\*Backing plate allows mirror to have movement of 140 x 400mm. Not all mirror positions are available depending where the backing plate can be located on reverse of mirror.

### ATTENTION!



### WARNING!

Note: The magnetic mirror can be damaged when in contact with magnetic fields: magnetic cards, Electronic devices, Pacemaker, etc. Neodymium magnets are not suitable for children. Keep out of their reach. Do not play, do not swallow, do not inhale.