

Mercer

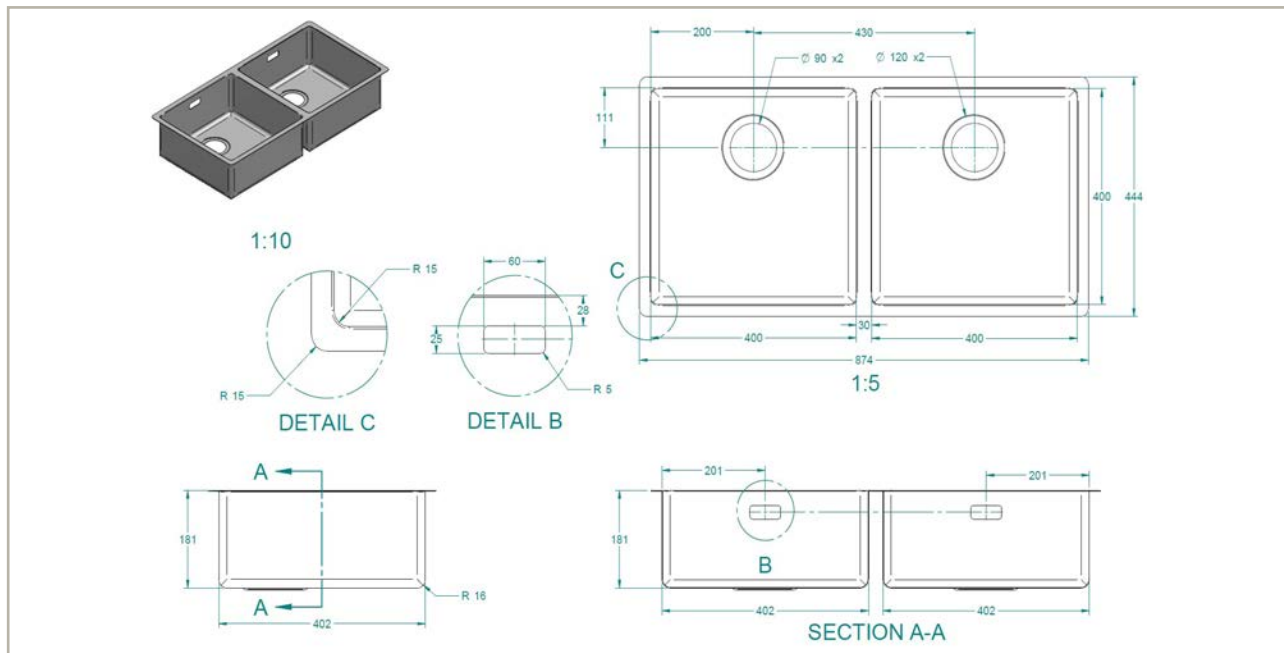
DC203 DOUBLE BOWL

The Mercer DC203 stainless steel sinks are manufactured in NZ.

The DC203 Double Bowl has a 15mm corner radius and comes with a 90mm round basket waste and 15l/m overflow as standard.

A seamless pressed bowl with a modern look, the Mercer DC Sink is a contemporary addition to any project.

There are a range of matching accessories available for the DC203 including a NZ wood food board, dishrack, drainer tray and colander.



SPECIFICATIONS

Code: DC203

Type: Top mount, Undermount, Weld in

Bowl size: 400 x 400 x 180 + 400 x 400 x 180mm with 30mm bridge

Bowl configuration: Double Bowl

Overall size: 870 x 440 x 180mm

Material: 304 Stainless steel

FEATURES

2 x 90mm round basket waste

Overflow 15l/m capacity

20mm Flat flange

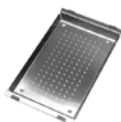
15mm Corner radius

Silk Finish

ASSOCIATED PRODUCTS



AD024
Dishrack



AC050
Colander



AF143
Chopping Board