

Valencia™ Elite Alcove Pivot Shower - 1000mm, 900mm

The Valencia Elite Alcove Pivot Shower combines exceptional performance with ease of installation. Beautifully engineered, this black frame shower is available in a range of sizes and wall options. The enclosure features a fully reversible door with 6mm toughened safety glass. The Quick-Fit low profile tray features an ultra high 40mm upstand for maximum watertightness, ensuring long lasting performance.



Note: Tapware and accessories illustrated in photography are not included

Shower Options

Frame: Black
Size: 1000x1000mm, 900x900mm.
Wall: Corner Contour, Flat, Tile Option or Doorset Only.
Height: 2000mm (1930mm without tray).

Material/Finish

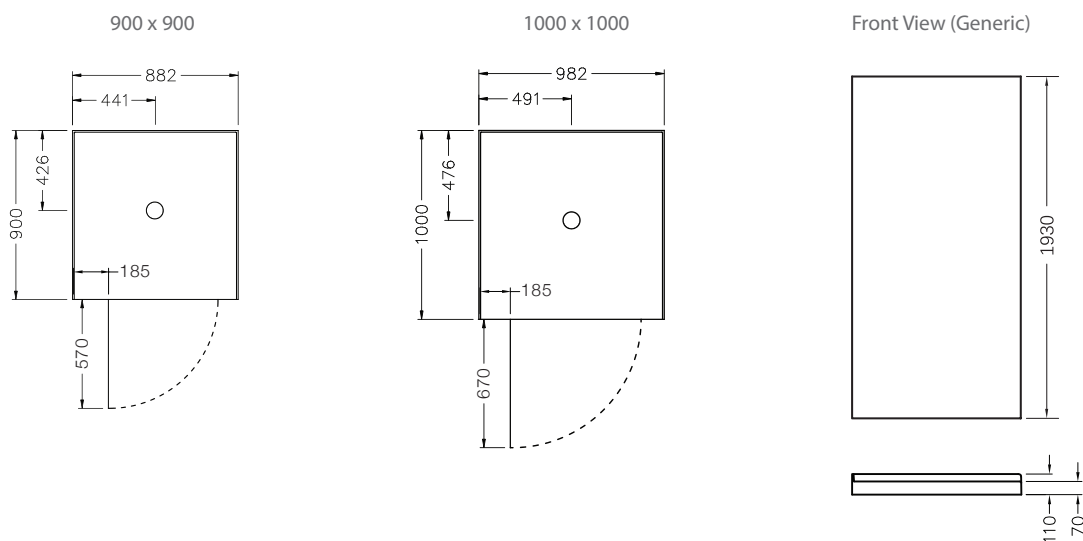
Frame - powder coated aluminium
 Wall - Duracryl acrylic
 Tray - fibreglass reinforced acrylic, centre waste.
 Glass door - 6mm toughened safety glass (AS/NZS 2208 compliant) with Englefield CleanLess™ glass treatment.

Included Components

Valencia Elite Door. Flat or moulded wall (NOTE: Tile option does not include acrylic wall or tiles). Acrylic wall finishing strips. Quick-Fit Low Profile Tray. Chrome Easy Clean Trap (NZ) or Hi-Flow Waste (Aus). Adhesive and Sealant pack (NZ).

Optional Accessories

Hi-Flow Waste Outlet



Product Codes

1000 x 1000mm	Black
Corner Contour Plus Wall	706756A-BL
Flat Wall	706757A-BL
Tile Wall	706819A-BL
Doorset Only	704640A-BL

900 x 900mm	Black
Corner Contour Plus Wall	706758A-BL
Flat Wall	706759A-BL
Tile Wall	706820A-BL
Doorset Only	704641A-BL



Trusted in New Zealand Since 1982

New Zealand

133 Diana Drive, Glenfield, Auckland, NZ
 PO Box 100-146 NSMC, Auckland, 0745
 Ph: 0800 100 382 Fax: 0800 66 44 88
www.Englefield.co.nz

Australia

PO Box 257, Regents Park, NSW 2143
 Ph: 1800 ENGLEFIELD (1800 364 533)
www.Englefield.com

All measurements shown are in millimetres. Sizes are approximate.

Oct 2018
 1367348-A04-B