

Carbon Wall Mounted Blade Bath Spout Satin Black

FLOVA®

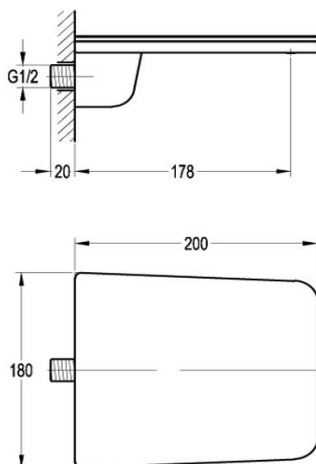


FWCB25

Wall mounted bath spout with blade style outlet

Durable satin black electroplated finish

180mm reach x 180mm wide and 15mm male connection



CARE AND USE

Tapware

All finishes are smooth, abrasion resistant, corrosion resistant, fade-proof and easy to clean. All finishes are super hard wearing surfaces that won't chip, peel or tarnish with normal use. All surfaces should be regularly wiped clean with non scouring, neutral wash solutions.

LIMITED PRODUCT WARRANTIES

To be read in conjunction with and subject to all terms and conditions contained in the Waterware 'Producer Statement' available on-line (<http://www.waterware.co.nz/media-downloads>) From date of purchase, Waterware Services warrants products from the following categories to be free from manufacturing defect subject to exclusions (if applicable):

| Category | Domestic Installations | Commercial Installations | Exclusions | Wels |
|--|---|--------------------------|-----------------------|--------------|
| Tapware 10 year conditional warranty | 5 years parts and labour, 6-10 years parts only | 1 year parts and labour | Handshowers and Hoses | Not required |