

## Dump Rose with Wall Arm

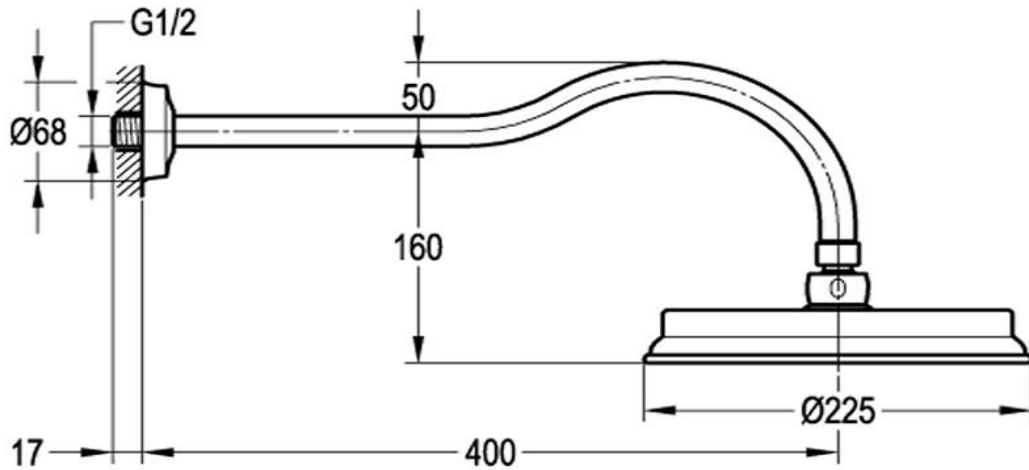


FWL15CP

Liberty Dump Rose with Wall Arm Chrome

225mm rose and 400mm arm with 15mm male wall connection

Recommended working pressure 200 - 500kPa (balanced)



### CARE AND USE

Chrome

The chrome finish is smooth, abrasion resistant, corrosion resistant, fade-proof and easy to clean. It is a hard wearing surfaces that wont chip, peel or tarnish with normal use. All surfaces should be regularly wiped clean with non scouring, neutral wash solutions. Never use an abrasive cleaner.

### LIMITED PRODUCT WARRANTIES

To be read in conjunction with and subject to all terms and conditions contained in the Waterware 'Producer Statement' available on-line (<http://www.waterware.co.nz/media-downloads>) From date of purchase, Waterware Services warrants products from the following categories to be free from manufacturing defect subject to exclusions (if applicable):

Category	Domestic Installations	Commercial Installations	Exclusions	Wels
Tapware   10 year conditional warranty	5 years parts and labour, 6-10 years parts only	1 year parts and labour	Handshowers and Hoses	3 Star 9L/min