

### 74046T Bath Spout

#### BEFORE YOU BEGIN

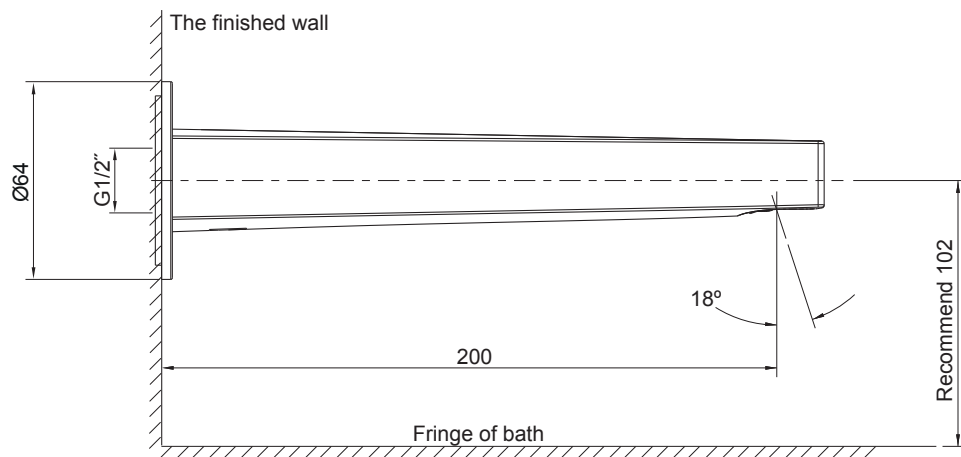
All information is based on the latest product information available at the time of publication. Kohler Co. reserves the right to make changes in product characteristics, packaging, or availability at any time without notice.

Please leave these instructions for the consumer. They contain important information.

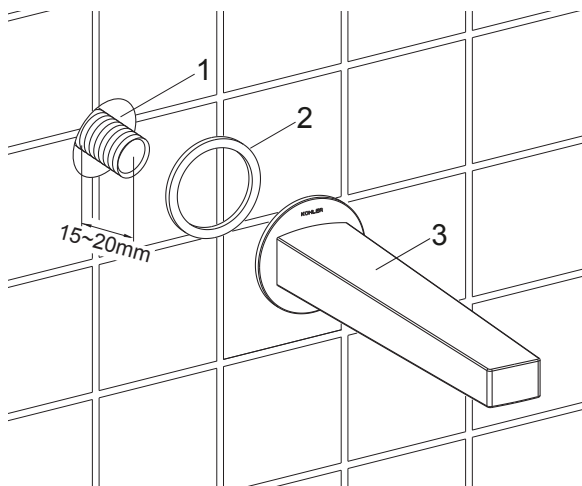
#### NOTES:

1. Flush the water supply pipes thoroughly to remove debris.
2. An inline water filter must be used with this product.
3. Shut off the water supplies to the fitting.
4. Observe all local plumbing and building codes.
5. All installations should comply with the relevant requirements of AS/NZS 3500.

#### ROUGH-IN DIMENSIONS



#### INSTALLATION



Apply tape or sealant to the G1/2" nipple(1, not provided) threads. Install the G1/2" nipple to extend 15~20mm beyond the finished wall.

Remove the sticker from the washer(2), stick the washer into the rear of the bath spout kit(3). Thread the spout kit to the G1/2" nipple. Tighten by strap wrench. Adjust the spout downwards.

## INSTALLATION CHECKOUT

Ensure that all connections are tight.

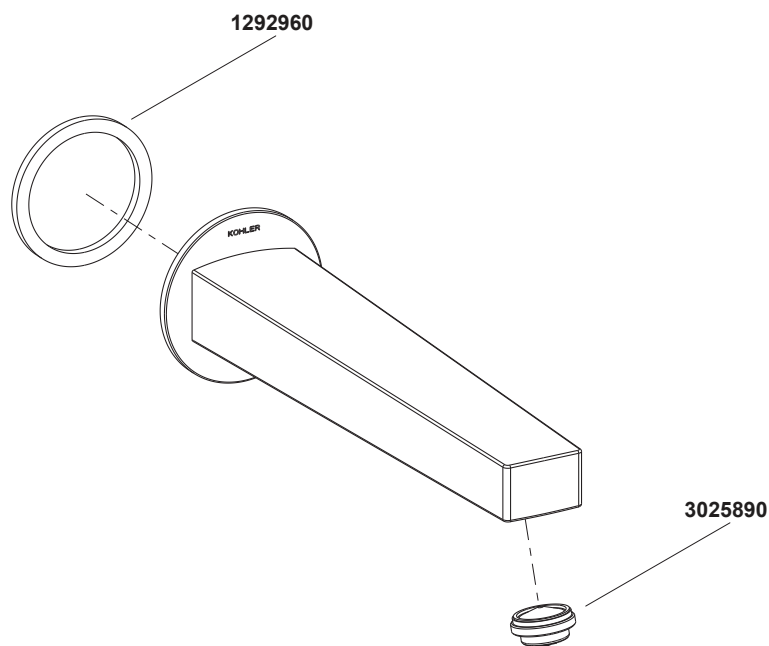
Open the drain. Turn on main water supply and check for leaks. Repair as required.

## CLEANING INSTRUCTIONS

All Finishes: Clean the finish with mild soap and warm water. Wipe entire surface completely dry with clean soft cloth. Many cleaners may contain chemicals, such as ammonia, chlorine, toilet cleaner etc, which could adversely affect the finish and are not recommended for cleaning.

Do not use abrasive cleaners or solvents on Kohler faucets and fittings.

## SERVICE PARTS



\*\*Color code must be specified when ordering.