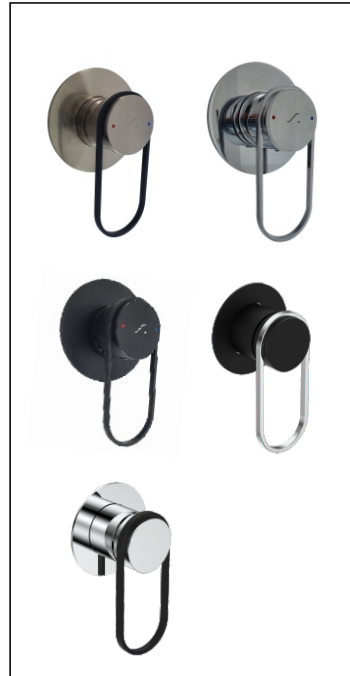
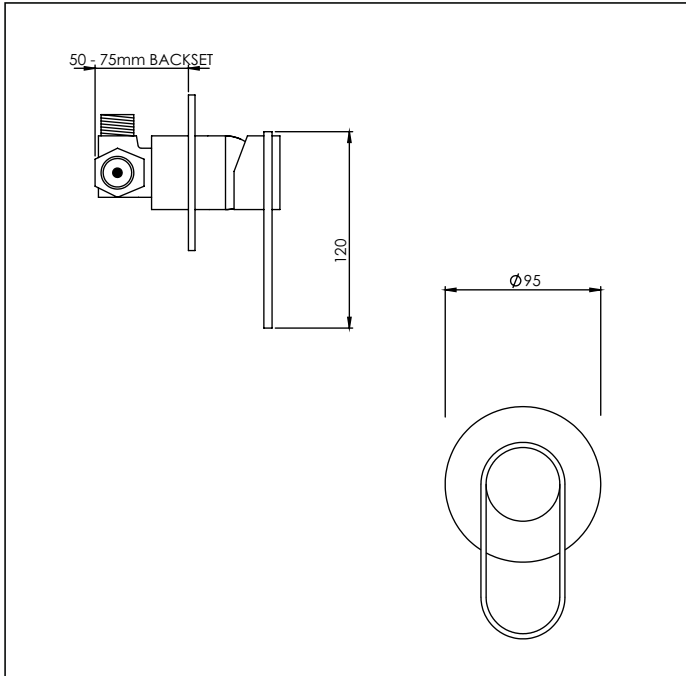


# Link

## Shower Mixer

aquatica 



Code: LK SHM40 CH	LK SHM40 CH-BLK	LK SHM40 BLK	LK SHM40 BLK-CH	LK SHM40 BN-BLK
Finish: Chrome	Chrome-Black	Black	Black-Chrome	Black-Chrome

**Faceplate:** 95mm diameter x 4mm thick

**Barrel Diameter:** 46mm

**Water Inlet:** 1/2" BSP Male

**Water Outlet:** 1/2" BSP Male

**Backset ( Mounting board to front of lining):** Minimum: 50mm  
Maximum: 75mm  
Recommended: 65mm

**Installation Hole Diameter:** Minimum: 40mm diameter  
Maximum: 75mm diameter

**Cartridge:** Kerox 40mm Flat Base

**Flow Control:** Max hot @ 35kPa = 8 l/min

KIWI OWNED COMPANY



**Aquatica NZ Limited**

9 Saunders Place,  
Avondale, Auckland.  
Tel: 09-828 2068,  
Fax: 09-828 2069  
Email: info@aquatica.co.nz  
or visit our website:  
[www.aquatica.co.nz](http://www.aquatica.co.nz)

© copyright Aquatica 2019

**Suitable for low/unequal & mains pressure systems**  
Recommended Operational Pressure Range: 35 - 600 kPa  
Maximum Operating Temp: 80°C Never to Exceed: 1000 kPa

**No WELS rating required**