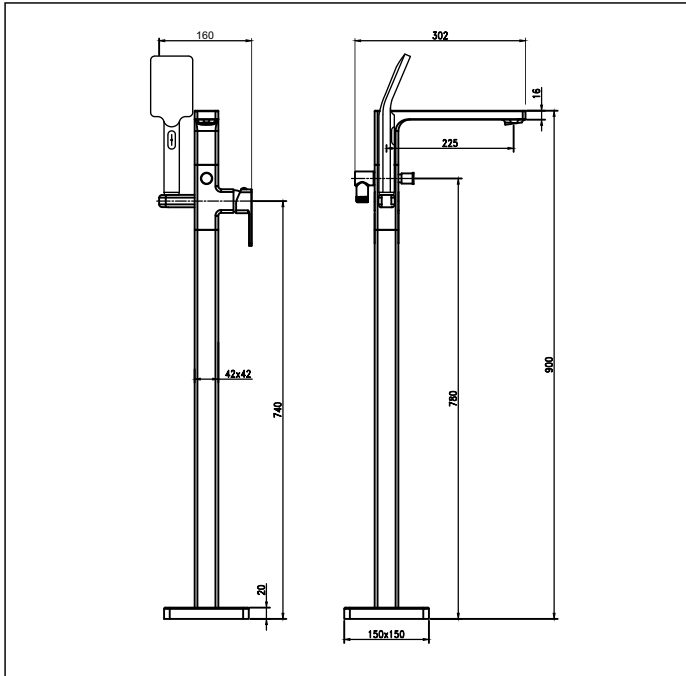


MI2 BSETFLOOR

Floor Standing Bath Filler with Handshower

aquatica



Code: MI2 BSETFLOOR | MI2 BSETFLOOR BLK | MI2 BSETFLOOR GM | MI2 BSETFLOOR BN
Finish: Chrome | Black | Gunmetal | Brushed Nickel

Spout: Cast, Fixed

Water Outlet: M24 Aerator

Water Inlets: 1/2" BSP female on mounting unit

Handshower Head: Single spray

Handshower Hose: 1.5m narrow bore hose

Mounting Hardware: Base bracket with 4 masonry bolts
(to be mounted below finished floor level)

Installation Hole: 115mm x 115mm x 45mm depth minimum (Up to 65mm)

Cover: 150mm x 150mm x 20mm

Reach: 225mm

Height: 900mm overall (885mm at aerator)

Divertor type: Pull knob to divert to handshower

Cartridge: 35mm flat base

Max water flow from bath filler: 5.4 l/min @35kPa

Max water flow from handshower: @ PCW 9 l/min (+-) 10% nominal flow from 100 kPa onwards

Suitable for mains pressure only

Recommended Operational Pressure Range: 150 - 600 kPa
Maximum Operating Temp: 80°C Never to Exceed: 1000 kPa



KIWI OWNED COMPANY

NZ • DESIGNED
• ASSEMBLED
• TESTED

Aquatica NZ Limited

9 Saunders Place,
Avondale, Auckland.
Tel: 09-828 2068,
Fax: 09-828 2069
Email: info@aquatica.co.nz
or visit our website:
www.aquatica.co.nz

© copyright Aquatica 2019