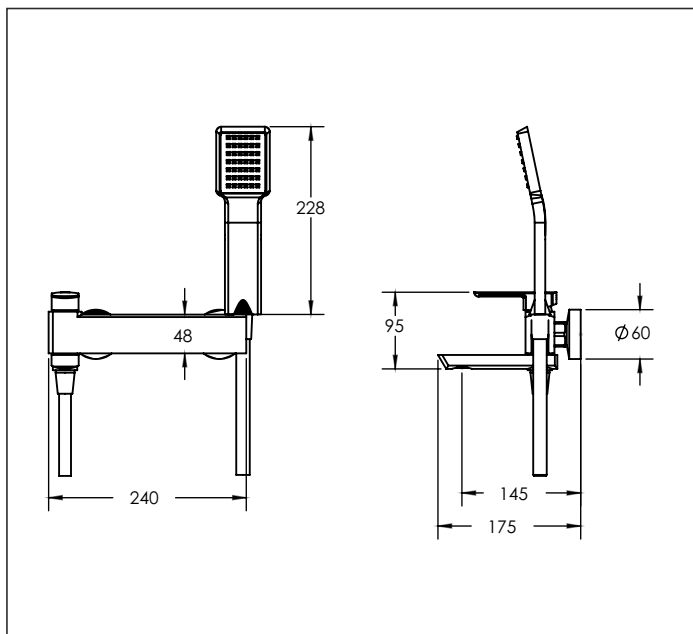


Nanu

Exposed Bath Mixer with Handshower

aquatica



Code: NA XBM

Finish: Chrome

Spout: Cast, Swivel 90° Rectangular profile 17 X 33mm

Length: 175 (from the wall)

Reach: 145 (from the wall)

Divertor: Ceramic divertor operated by swivelling the spout 90°

Body: Chrome plated brass: 48mm (height) x 35mm (depth) x 240 (length)

Handle: Plated zinc - 95 X 32mm

Lock: M5 grub screw at back of handle

Handshower: Single spray.

1.5m long metal hose

Water Inlet: Via a pair of concealed eccentrics: 1/2" BSP male: offset +/- 24mm

@ 150mm centres

Water Outlet: Cache Slim Laminar : M24 X 1mm

Installation: Wall wingbacks required to be 1/2" BSP female at 150mm centres within 24mm

Max depth from finished surface of liner: 15mm

Flow Control : PCW 9 fitted for regulated flow with mains pressure system.

Max water flow @ 35 kPa = 4.7l/min

Cartridge: Kerox 25k flat base

Feature: Diverter is operated by swivelling the spout 90°

Suitable for mains pressure only

Recommended Operational Pressure Range: 150 - 600 kPa

Maximum Operating Temp: 80°C Never to Exceed: 1000 kPa



KIWI OWNED COMPANY

NZ

• DESIGNED
• ASSEMBLED
• TESTED



Aquatica NZ Limited

9 Saunders Place,
Avondale, Auckland.

Tel: 09-828 2068,

Fax: 09-828 2069

Email: info@aquatica.co.nz

or visit our website:

www.aquatica.co.nz

© copyright Aquatica 2019