

Description

Sharp 900 Wall-Hung Vanity, 1 Drawer, White / Melamine

Product Code

SH90DWH / M



Features

- Dimensions - W 900mm x H 475mm x D 475mm
- Paint - The paint used on our products is polyurethane or UV based. It is five times harder and more durable than lacquer finishes. White only.
- Timber effect (Melamine) - Our woodgrain melamine is a low pressure laminate. Colours available are Nordic Ash, Manhattan Elm, Southern Oak, French Oak, Driftwood or Charred Oak.
- Match it with silver aluminium rail, black aluminium rail, melamine/white paint finish (colour match with unit) or semi handle*.
- Soft-close drawers.
- Includes a top and cabinet.
- Excludes tapware & accessories.

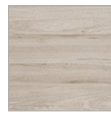
PAINT / MELAMINE FINISHES*



White Paint



Nordic Ash



Driftwood



French Oak
Wilderness



Manhattan
Elm



Southern Oak
Wilderness



Charred Oak

Notes

*Additional cost for Semi Handle option.
Please see reverse for technical drawings.

Description

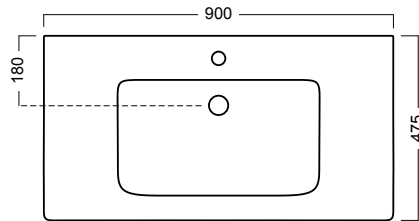
Sharp 900 Wall-Hung Vanity, 1 Drawer, White / Melamine

Product Code

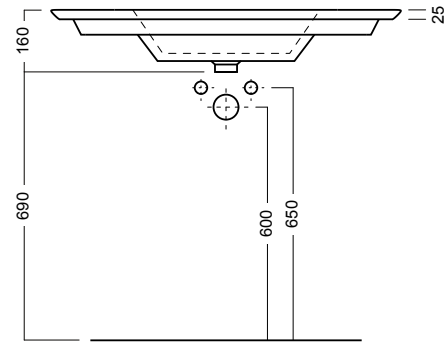
SH90DWH / M

Technical Drawings

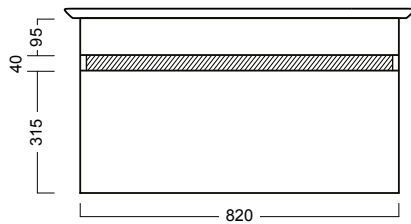
Top



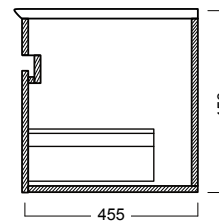
Back



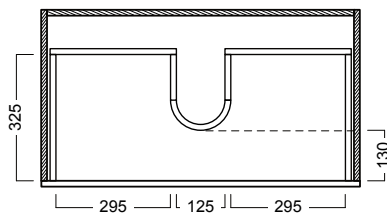
Front



Side Section



Top Section



Notes

Sizes approximate. All drawings in millimeters. Drawings not to scale.

Drawing indicates the technical measurement only and is not a reflection of how the unit will look.