

Englefield Premium Bath Screen

Combine a shower and bath for the best of both worlds and create a stylish bathroom with an Englefield Premium Bath Screen.



Colour/Finish
Material

Chrome fittings
6mm toughened safety glass

Features

Fully reversible glass door for use at either end of the bath.
Screen pivots both ways for easy cleaning and access to taps.
Flexible drip edge seal to deflect water inwards.
Spring-tensioned hinges to ensure alignment over bath edge.

Optional Accessories

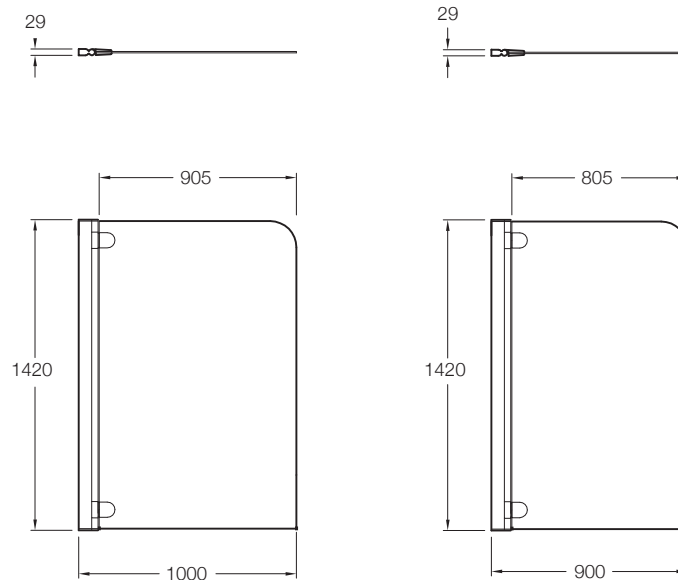
Acrylic bath
40mm bath waste
Duracryl acrylic bath wall (flat or moulded)
Adhesive pack
Flat pack timber bath frame
Apron Panel
Bath Pillow

Screen Height

1420mm

Note: Tapware and accessories illustrated are not included

Product	1000 x 1420mm		900 x 1420mm	
Bath Screen	A2092A-CP-0		A2091A-CP-0	
1520mm Duo Bath Combo*	72496A-0	Flat Wall	72495A-0	Flat Wall
	23817A-0	Corner Contour Plus Wall	23819A-0	Corner Contour Plus Wall
1670mm Duo Bath Combo*	72493A-0	Flat Wall	72492A-0	Flat Wall
	23816A-0	Corner Contour Plus Wall	23818A-0	Corner Contour Plus Wall



*Combo includes: Duo II acrylic bath, 2-sided bath wall, Premium bath screen and adhesive pack.

All measurements shown are in millimetres.
Sizes are approximate.
1183710-A04-B April 2019



New Zealand

133 Diana Drive, Glenfield, Auckland, New Zealand
PO Box 100-146 NSMC, Auckland, 0745
Ph: 0800 100 382 Fax: 0800 66 44 88
www.Englefield.co.nz