

## DESCRIPTION

Twenty 810 Wall Hung, 2 Drawer, White / Timber Veneer

## PRODUCT CODE

TW81D2WH / TW81D2WHT



## FEATURES

- W810 x H626 x D480 mm
- Available painted White, in Timber Veneer\*, or in your choice of paint colour.^
- The paint used on our products is polyurethane or UV based. It is five times harder and more durable than lacquer finishes.
- Timber veneer finishes are 100% natural, so each have variations in grain and colour. All come stained and sealed with a protective UV finish.
- Four bowl options – left, right, centre and total.
- Handles available in White Oak, Natural Oak or Dark Oak timber veneers.
- Soft-close drawers.
- Italian-made, ceramic top. NZ-made cabinetry.

## PAINT / TIMBER VENEER FINISHES\*



White Paint



White Oak



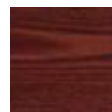
Blonde Oak



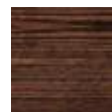
Natural Oak



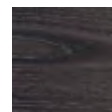
Walnut



Chestnut



Coffee



Noce



Dark Oak

## NOTES

Please see reverse for technical drawings.

\*Non-stock item. ^15% surcharge applies for custom paint colour, 25% for metallic and black gloss.

## DESCRIPTION

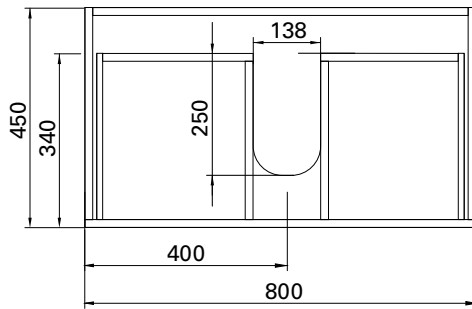
Twenty 810 Wall Hung, 2 Drawer, White / Timber Veneer, Centre Bowl

## PRODUCT CODE

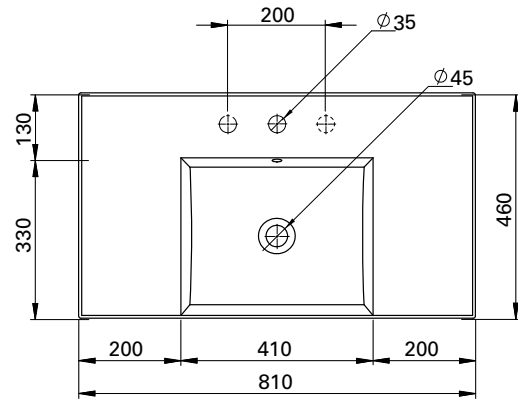
TW81D2WHCN / TW81D2WHTCN

## TECHNICAL DRAWINGS

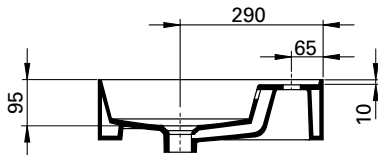
Section: Top View of Drawer



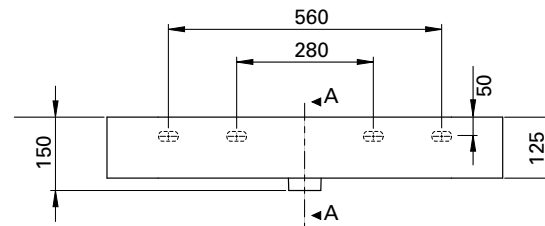
Top



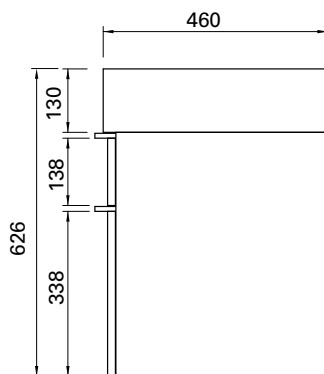
Section AA: Side of Basin



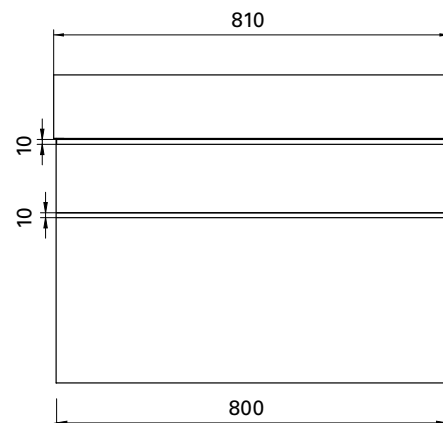
Back of Basin



Side



Front



## NOTES

Waste cut out in top drawer only. Drawing indicates the technical measurement only and is not a reflection of how the unit will look. Sizes nominal only. All drawings in millimeters. Drawings not to scale.

## DESCRIPTION

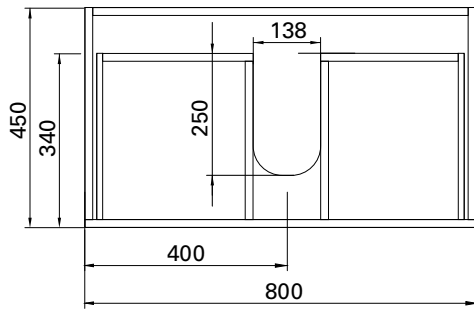
Twenty 810 Wall Hung, 2 Drawer, White / Timber Veneer, Total Bowl

## PRODUCT CODE

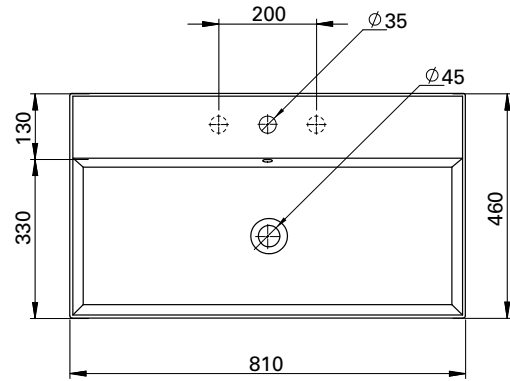
TW81D2WHTL / TW81D2WHTTL

## TECHNICAL DRAWINGS

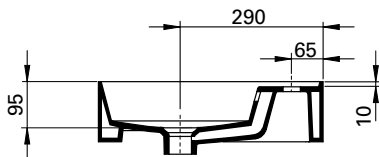
Section: Top View of Drawer



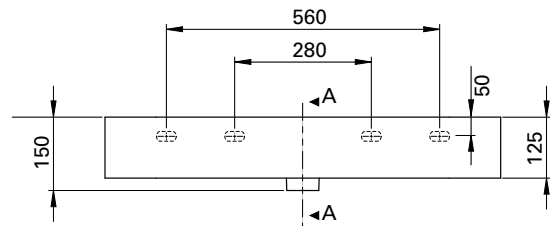
Top



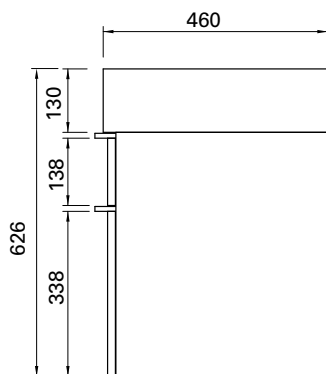
Section AA: Side of Basin



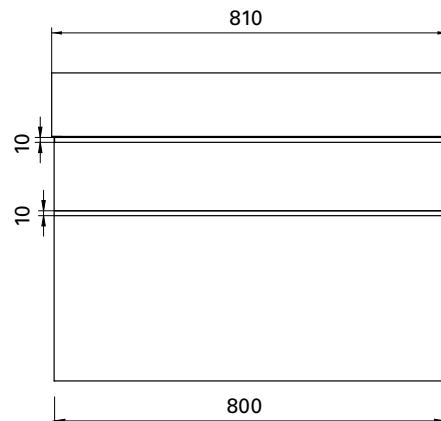
Back of Basin



Side



Front



## NOTES

Waste cut out in top drawer only. Drawing indicates the technical measurement only and is not a reflection of how the unit will look. Sizes nominal only. All drawings in millimeters. Drawings not to scale.

## DESCRIPTION

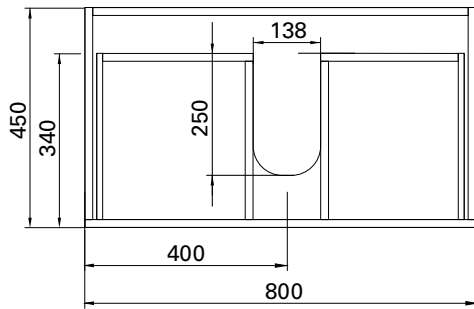
Twenty 810 Wall Hung, 2 Drawer, White / Timber Veneer, Right Bowl

## PRODUCT CODE

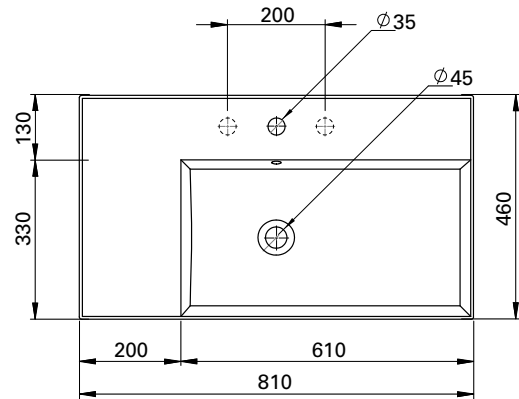
TW81D2WHRH / TW81D2WHTRH

## TECHNICAL DRAWINGS

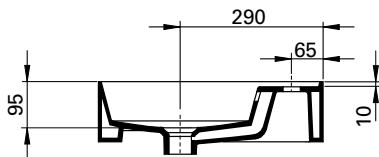
Section: Top View of Drawer



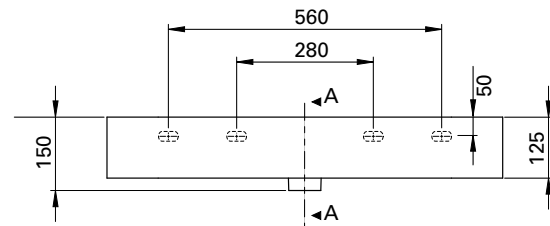
Top



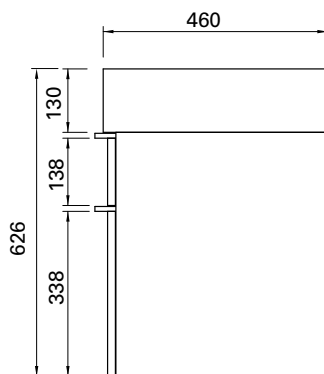
Section AA: Side of Basin



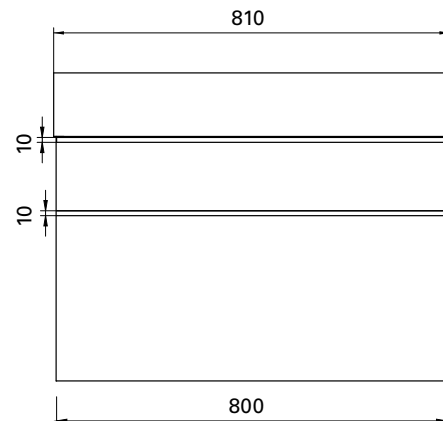
Back of Basin



Side



Front



## NOTES

Waste cut out in top drawer only. Drawing indicates the technical measurement only and is not a reflection of how the unit will look. Sizes nominal only. All drawings in millimeters. Drawings not to scale.

## DESCRIPTION

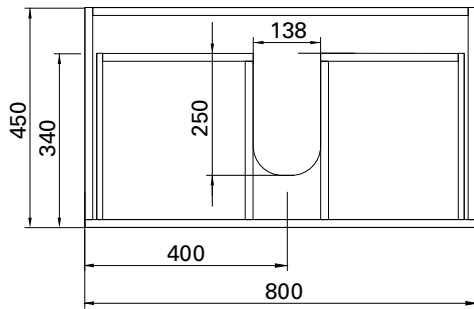
Twenty 810 Wall Hung, 2 Drawer, White / Timber Veneer, Left Bowl

## PRODUCT CODE

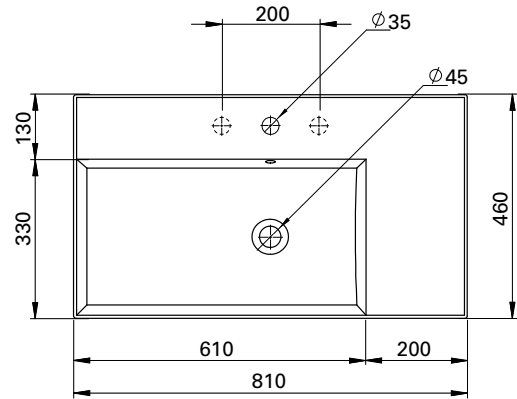
TW81D2WHLH / TW81D2WHTLH

## TECHNICAL DRAWINGS

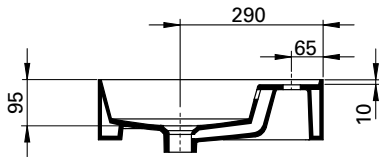
Section: Top View of Drawer



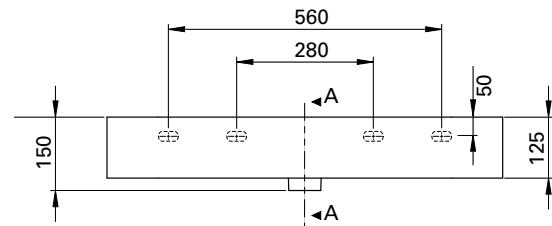
Top



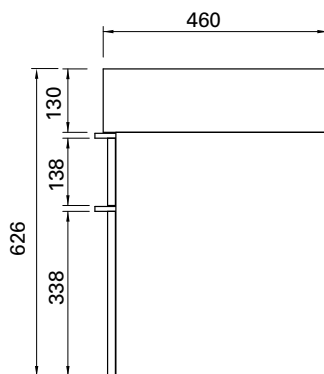
Section AA: Side of Basin



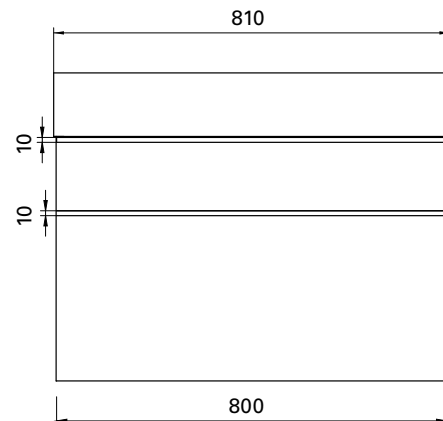
Back of Basin



Side



Front



## NOTES

Waste cut out in top drawer only. Drawing indicates the technical measurement only and is not a reflection of how the unit will look. Sizes nominal only. All drawings in millimeters. Drawings not to scale.