

VODA

15mm Floor Mount Bath Spout VBS051

Mains Pressure Only

Min. 150kpa Pressure

5 Year Warranty



voda



Congratulations on your purchase of this high quality product from Voda Plumbingware (NZ) Ltd. Please read the following before installation and retain for future reference.

Tech Specifications

Max. Operating Temperature 65 deg. Celsius, maximum operating pressure 500kPa.

Configuration:

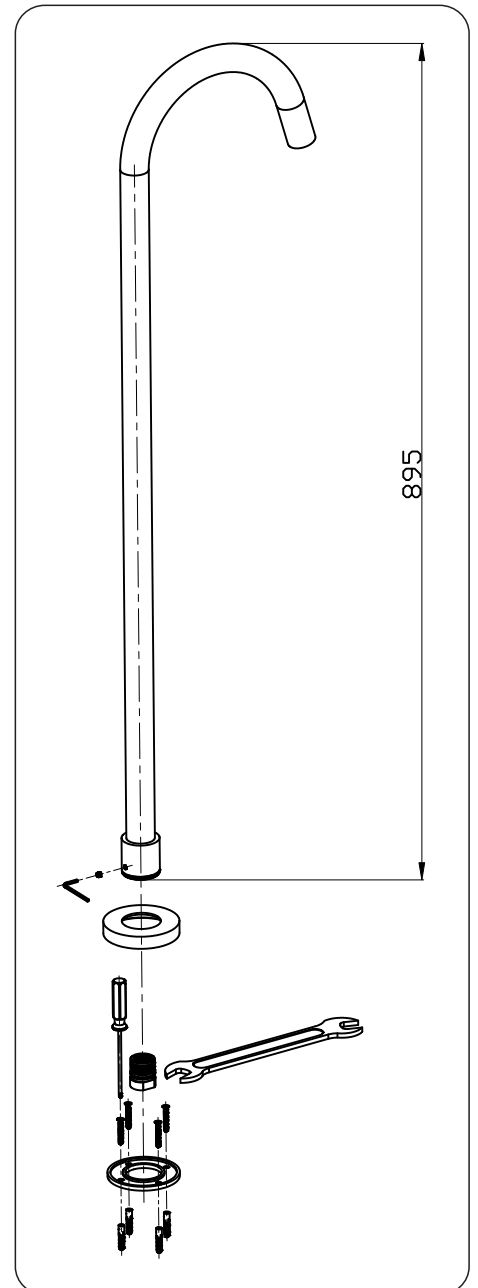
- Mains Pressure systems - Install as supplied.
- Unequal Low Systems - Not suitable.
- Equal Low systems - Not suitable.

Installation.

For pressures exceeding 500kPa, install a pressure reducing valve. Failure to do so may void the warranty. See Warranty section for more information.

- Screw the brass base plate onto the floor using the screws provided.
- Attached the cover plate to the bath spout.
- Screw the spout into the base plate.
- Apply sealant between brass base plate and the spout joint.
- Push the cover plate down to cover the base plate.
- Turn on water supply. Check for leaks.

Mr Plumber: Do not pressure test this mixer under static pressure.



Voda Plumbingware (NZ) LTD, 5 Hewlett St, Port Whangarei.

Tel: 64-9-470 2090

www.vodaplumbingware.co.nz

Attached proof of
purchase here



Warranty

Congratulations on your purchase of this high quality product from Voda Plumbingwaer (NZ) Ltd.

Voda New Zealand warrants that high quality materials and workmanship have been used in the manufacture of its tapware. If the product fails due to a fault of manufacture, Voda NZ, will at its option repair or replace the product, provided that:

- The proof of purchase is given to Voda.
- That such defect shall be found to the Company's satisfaction to have arisen from faulty design, workmanship or materials.

The Company will not be liable due to:

- Failure to produce the original invoice, providing date of purchase;
- Damages incurred during installation;
- The installation not conforming with fitting instructions;
- Unauthorised modifications or repairs;
- Surface deterioration due to cleaning methods not in accordance with instructions.
- The following standards not being met:
 - Installation to comply with Section 5.4 of AS/NZS 3500 Standard with regard to Isolating stop cock use
 - As per AS/NZS 3500.1:2300 clause 3.3.4, the maximum operating pressure at any outlet, other than a fire service outlet, within a building does not exceed 500kpa.

The Company shall accept no responsibility for compensation towards assembly or disassembly of the fitting and shall not be liable for consequential loss or damage of any kind whatsoever to or in any way caused by the goods or their use.

Care & Maintenance

Chrome-plated finishes should not be cleaned with astringent, abrasive or citric cleaners. A soft damp cloth is recommended for cleaning. Mild soap solution can also be used on occasion.

In the unlikely event that this product fails during its warranty period, phone 0508 367 366 customer service free line, as unauthorised removal may void the warranty.

For domestic use only.

Thank you for purchasing Voda Plumbingware.