



## STRATA HEIKO PETITE

### *The Advanced Art of Towel Warming*

**WARNING:** This appliance is intended only for drying textiles washed in water.

**WARNING:** In order to avoid a hazard for very young children, this appliance should be installed so that the lowest heated rail is at least 600 mm above the floor.

**IMPORTANT:** A means of disconnection in the fixed wiring must be used, which is in accordance with national wiring rules (ie AS/NZS3000)

**Insulation must not cover transformer (WTS12-100 supplied separately)**

#### Operation

Your STRATA HEIKO PETITE Towel Warmer uses only minimal electrical power – about the same as an LED lamp. It will take approximately 20-30 minutes to reach maximum operating temperature. STRATA HEIKO PETITE Towel warmers are designed for continuous operation. NOTE: The temperature of your towel warmer will vary with the ambient temperature of your room. A towel warmer is designed to warm and assist the drying of towels and will normally operate at a temperature that is too hot for the warmer to be grasped for an extended time.

#### Locating Instructions

Detailed installation instructions are provided on the reverse side. The STRATA HEIKO PETITE Towel Warmer should be fixed through the wall cladding directly to studs or other suitable anchor material. The towel warmer should be located in compliance with the AS/NZS 60335 Standard. STRATA HEIKO PETITE 12V towel warmers have an IP47 rating offering you the greatest flexibility to safely locate the towel warmer in bathrooms or shower rooms in **Zone 1-3**. All other electrical fittings must also be compliant with the zone within which the warmer is being installed.

#### Electrical Installation

Ensure that your towel warmer is installed by a registered electrician and that the electrical supply switch location and product location will comply with your local regulations.

New Zealand electrical wiring requirements stipulate that this appliance must be wired by a registered electrician in accordance with current electrical wiring regulations. This appliance must be fitted with an air gap phase isolation switch which isolates the phase & neutral in accordance with local wiring regulations. **This product must be used in conjunction with a hard wired switch.** For complete temperature control a wall mounted dimmer switch (with “off” position) is recommended.

#### Concealed Wiring

This model is designed for concealed wiring only. Access to the wall cavity before cladding is installed is essential to install a draw wire.

#### Care and Cleaning

The polished stainless steel finish of your Towel Warmer is hard wearing and easily maintained. Clean regularly with a soft cloth and non-abrasive cleaning agent. Black finish is more sensitive to scratching and care is required when cleaning.

#### Warranty

This product is warranted against defects due to faulty workmanship or materials for 10 years from date of purchase. In the event of a defect in the product, turn it off at the wall, and contact the retailer from which it was purchased and provide details from your sales receipt and the products serial number from the label on the towel warmer. The retailer will contact Heirloom who will assess the matter and if accepted as a valid warranty claim the product will be repaired or replaced at Heirloom's option – free of charge. Costs of disconnection, reconnection, and freight are the responsibility of the owner, as is any damage arising in transit to and from servicing by Heirloom. This warranty does not cover:

- a. Any damage to the product caused by misuse, neglect, accident, or in violation of the manufacturer's instructions, or
- b. Any damage, loss or injury arising as a consequence of the use of the product.

Australia: Our goods come with guarantees that cannot be excluded under the Australian Consumer Law. You are entitled to a replacement or refund for a major failure and compensation for any other reasonably foreseeable loss or damage. You are

also entitled to have the goods repaired or replaced if the goods fail to be of acceptable quality and the failure does not amount to a major failure.



## INSTALLATION OF STRATA HEIKO PETITE TOWEL WARMER

SPECIFICATIONS	Mounting Centre (Flange holes)	Rating 12v AC	Voltage	IP Rating
WHSP500 Polished stainless steel	47mm	14 watts	12V AC	IP47
WTS12-100 Transformer (supplied separately). One transformer can supply up to six Heiko Petite rails		100VA	230-240V AC Primary, 12V AC secondary	IP20

### This Package Contains:

- 1 Towel Warmer
- 3 x Mounting Screws
- 1 x Termination Pack: two bootlace crimps, two pieces of heat shrink, one piece of clear tube.

**CAUTION:** Prior to installation please ensure the product is to your satisfaction. Once installed Heirloom cannot be responsible for defects in the product finish. This product is not intended for use by young children or infirmed persons without supervision. In order to avoid a hazard for very young children, this towel warmer should be installed at least 600mm from the floor. Young children should be supervised to ensure they do not play with the product. If the supply cord is damaged it must be replaced by the manufacturer, its service agent, or similarly qualified persons in order to avoid a hazard.

### Installation:

**The Heirloom STRATA HEIKO PETITE towel warmer is designed for concealed flex installation only.**

This towel warmer must be installed by a registered electrician and in accordance with local and national electrical codes. We recommend that the towel warmer be installed on a flat and uniform wall, and where possible into studs or other suitable anchor material. Do not fix to a hollow cavity wall using toggle anchors as this will void the warranty.

The Heirloom transformer (supplied separately) can be installed in a roof space or other accessible location. Up to six STRATA HEIKO PETITE towel warmers can be powered by one transformer.

Home insulation material must not cover transformer.

**DO NOT CONNECT THE TRANSFORMER TO THE POWER SUPPLY OR SWITCH THE TOWEL WARMER ON BEFORE INSTALLATION IS COMPLETE.**

Connection to electrical supply should be carried out by a qualified electrician in accordance with electrical requirements and regulations and to ensure the electrical supply, and switch location, and product location will comply with regulations

### INSTALLATION

**Prewiring: NOTE: This model is for concealed wiring only.**

#### For wood or steel framing:

Clearly mark on the studs where the base flanges will be positioned. Determine the position for the transformer, furthest from wet areas is best. The distance of the transformer from the warmer should not exceed 2 meters (for radio interference reasons). Use suitably rated cable for the current.

The wiring will normally run vertically between nogs to line up with the foot position. For wire feed, drill two holes 10-12mm diameter at right angles so that one breaks in to the other. Pass plastic tube through this hole to assist wire being installed. Pass low voltage cable to each position chosen for connection.

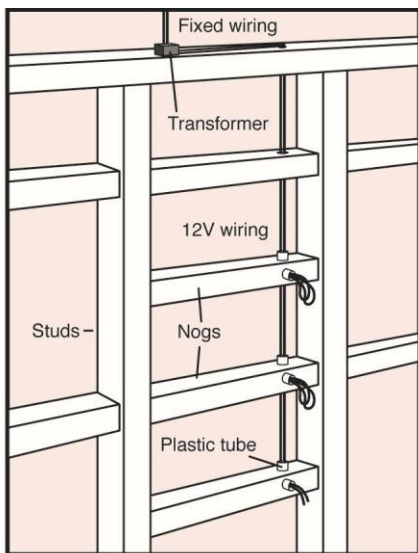


Fig 1 (Maximum of six Strata Heiko Petite towel warmers per transformer)

**For masonry walls:**

Use a masonry saw or angle grinder with a masonry disc to cut a continuous groove 25mm deep between the towel warmer foot position(s) and the transformer location.

Insert the low voltage cable (not supplied) into the groove, and at the selected foot position(s) make a loop of cable protruding approximately 150mm out from the groove. (see Fig 3 )

Cement render over the groove to conceal the power cable, making sure that the loops are protruding from the groove, to allow for electrical connection.

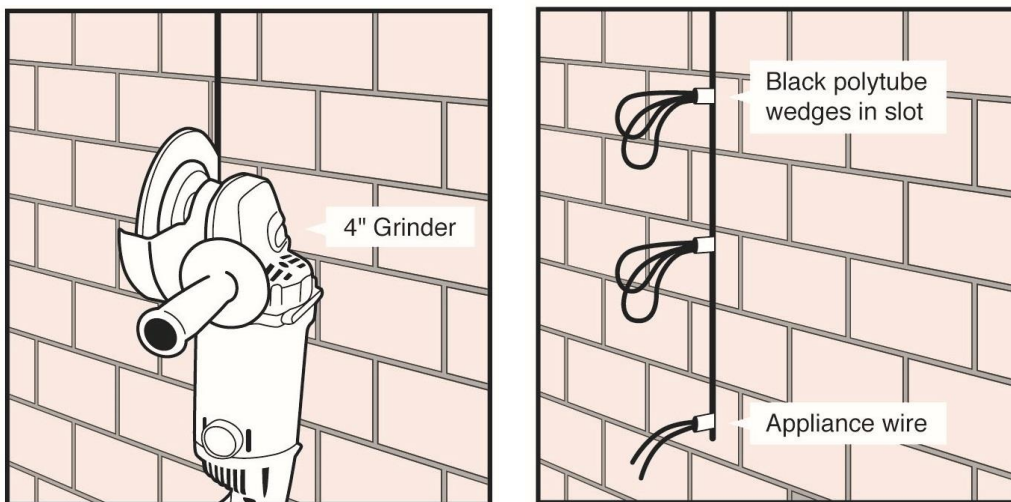


Fig 2 and 3 (maximum of six Strata Heiko Petite towel warmers per transformer)

**Connecting STRATA HEIKO PETITE: (after wall cladding installed)**

1. On the fixing face, drill two pilot holes 2.5mm , 47mm apart vertically, equally spaced above and below pre-drilled wire feed hole (which will have power supply leads installed) Fig 4
2. Pass power leads through cover flange and hole in base. Fig 5
3. Connect the towel warmer using the crimp sleeves and heat shrink provided. Slide the excess cable in to the wall cavity.
4. Attach base to wall using 6G x 55mm screws supplied. Unit must be mounted to timber (behind wall cladding) for strength.
5. Clamp Strata Heiko Petite in place with grub screw facing down, Fig 6

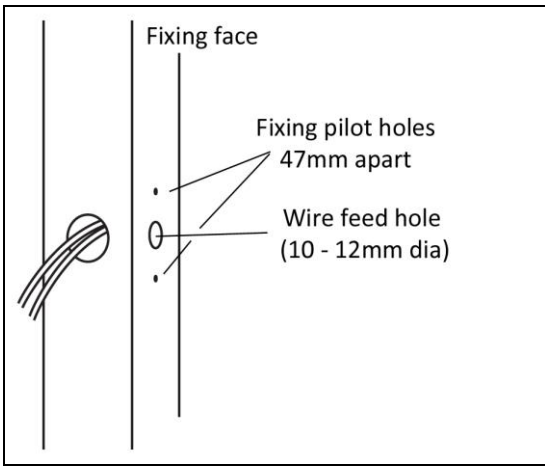


Fig 4

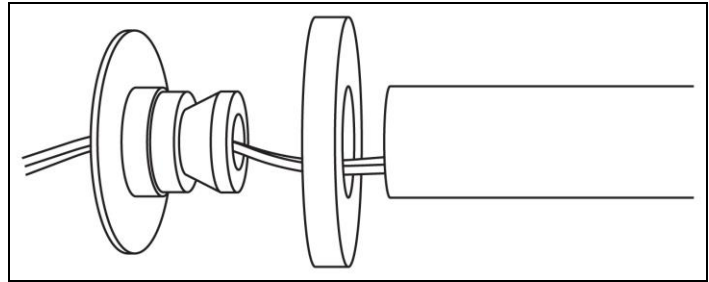


Fig 5

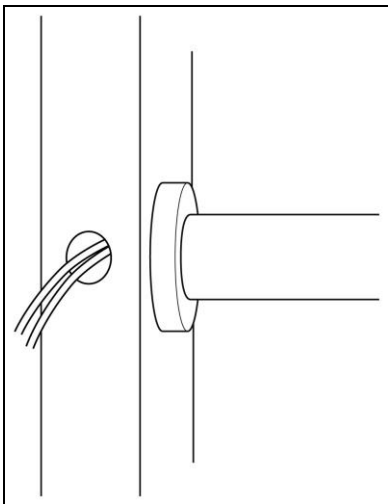


Fig 6 (shown without wall cladding)

### Contact Us

We welcome your feedback on our products. You can view our full range of towel warmers on our website and send us your comments about this product using the "Contact Us" page on our website [www.heirloom.co.nz](http://www.heirloom.co.nz)

Heirloom International Limited, P O Box 204 235, Auckland 2161, New Zealand.  
Ph +64 9 274 4443 [info@heirloom.co.nz](mailto:info@heirloom.co.nz)