

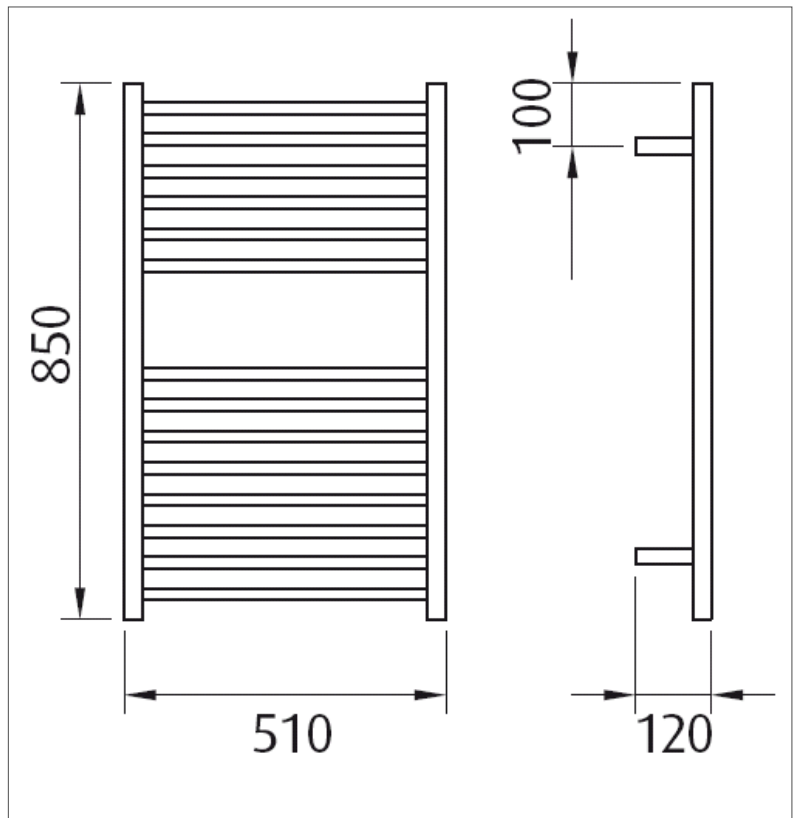
Premium 14 bar SQUARE

Product code : HTR-TS1451-LHU/HTR-TS1451-RHU

510 (w) x 850 (h) x 120 (d) mm

Features:

- 14 bars
- Hand polished to a mirror finish
- High grade stainless steel
- Double insulated heating element and Class 1 fully earthed
- Concealed cable kit available on request
- Left and right hand cable options
- Easily installed into new or existing homes



Note: Manufacturing tolerances could cause variances of ± 5 mm.

Additional Information

- 135 watts
- 230-240Volts, 50Hz
- 15 year warranty
- IP34 rating