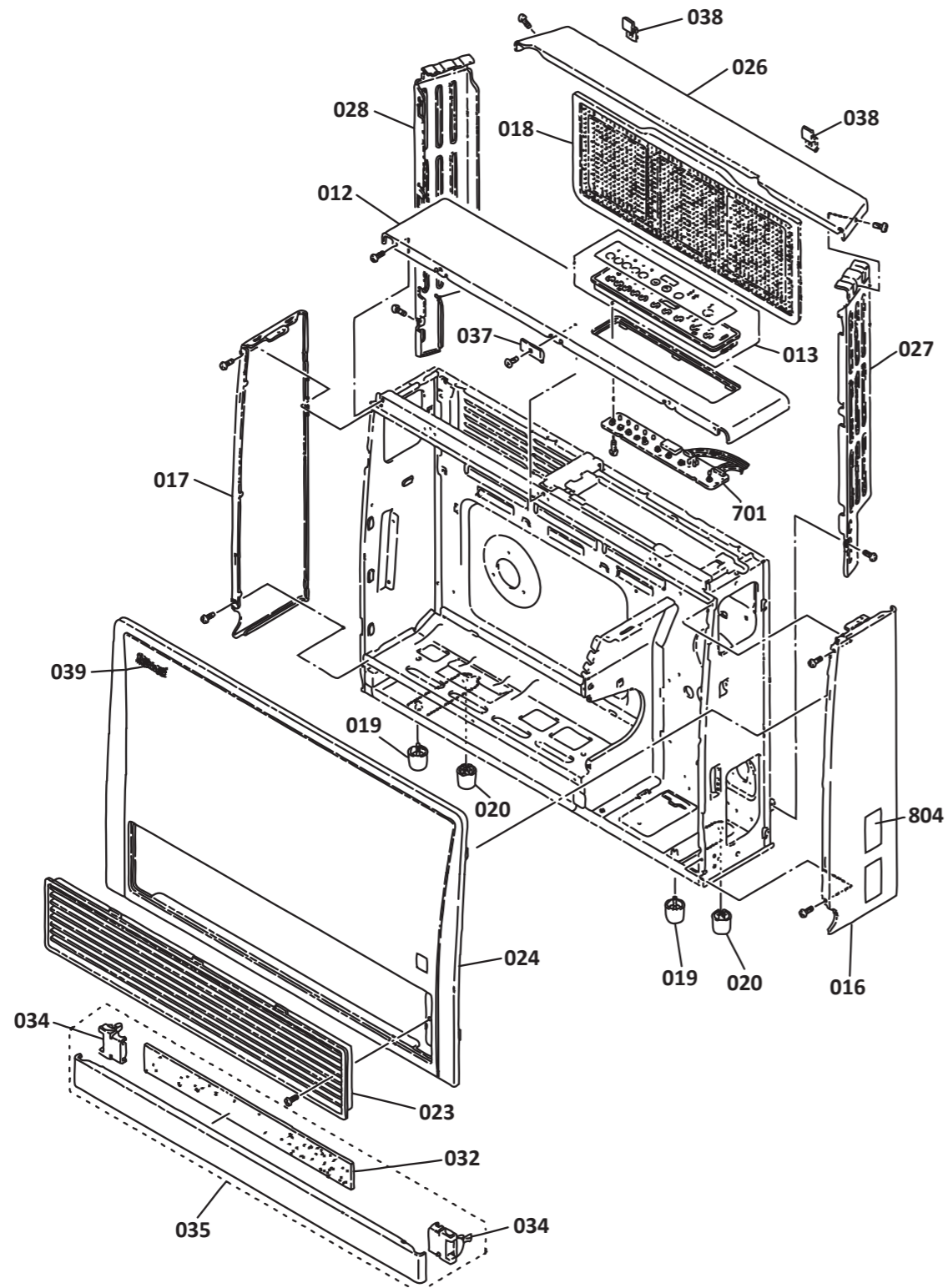


Energysaver 559FT flued heater

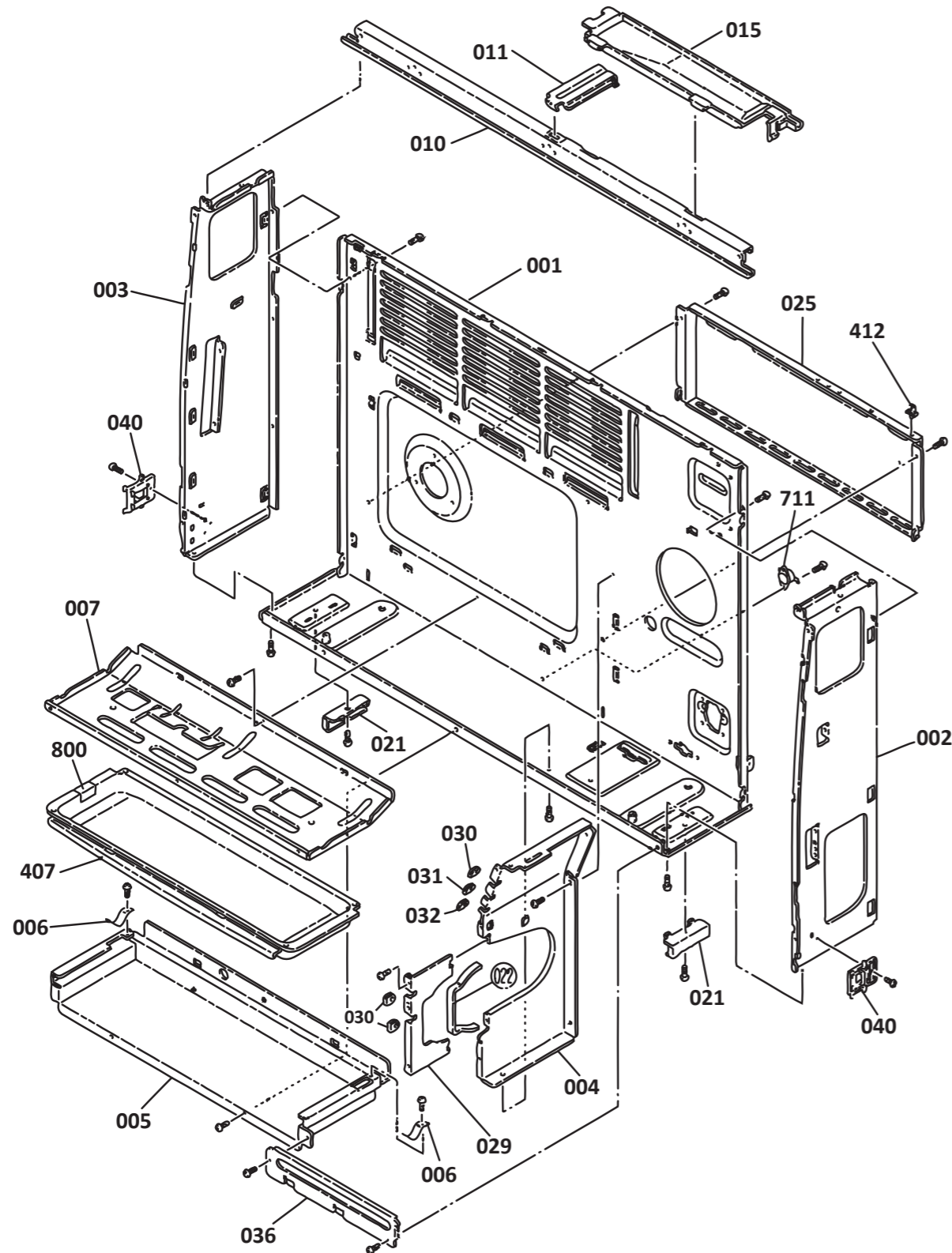
This diagram is provided to assist you to identify parts if replacement is necessary. Contact your place of purchase or the manufacturer to enquire about parts, availability and/or service.



Ref.	Description	Qty.	Part No.
012	Top panel	1	5485
013	Control panel assembly	1	5486
016	Side panel RH	1	5488
017	Side panel LH	1	5489
018	Air filter assembly	1	3026i
019	Front leg	2	3403
020	Back leg	2	3405
023	Louvre assembly	1	5490
024	Front panel	1	5491
026	Back spacer top	1	5493
027	Back spacer RH	1	5494
028	Back spacer LH	1	5495
032	Heat insulator	1	5498
034	Latch front cover	2	5499
035	Lower front cover assembly	1	5501
037	Front panel bracket	1	5504
038	Clip	1	6684
039	Rinnai logo	1	5396
701	Control circuit board	1	5464
804	Warning label	1	5562

Energysaver 559FT flued heater

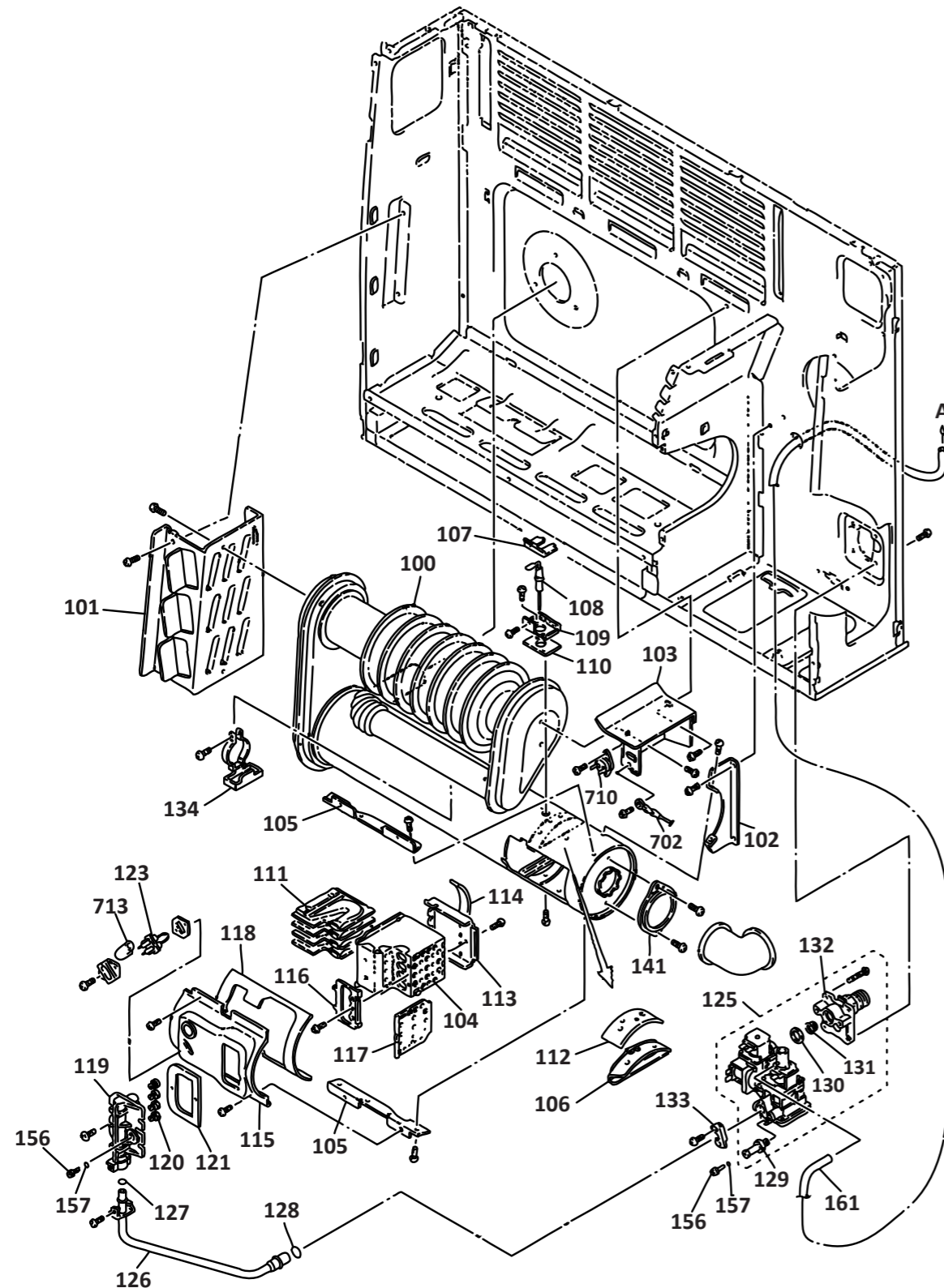
This diagram is provided to assist you to identify parts if replacement is necessary. Contact your place of purchase or the manufacturer to enquire about parts, availability and/or service.



Ref.	Description	Qty.	Part No.
001	Rear panel	1	5475
002	Frame RH	1	5477
003	Frame LH	1	5478
004	Frame center	1	5479
005	Bottom plate support	1	5480
006	Humidifier tray clip	1	5481
007	Base partition panel	1	5482
010	Top panel support horiz.	1	5483
011	Top panel support vertical	1	5484
015	Control panel support	1	5487
021	Floor fixing bracket	2	3541
022	Heat exchanger packing	1	4306
025	Heat shield panel rear	1	5492
029	Warm air seal panel	1	5432
030	Cord packing	1	5496
031	Cord packing	1	5497
036	Internal guard panel	1	5503
040	Latch bracket	2	5505
407	Humidifier tray	1	3111
412	Wire clip	1	5541
711	Overheat switch	1	4478
800	Water line label	1	5556

Energysaver 559FT flued heater

This diagram is provided to assist you to identify parts if replacement is necessary. Contact your place of purchase or the manufacturer to enquire about parts, availability and/or service.

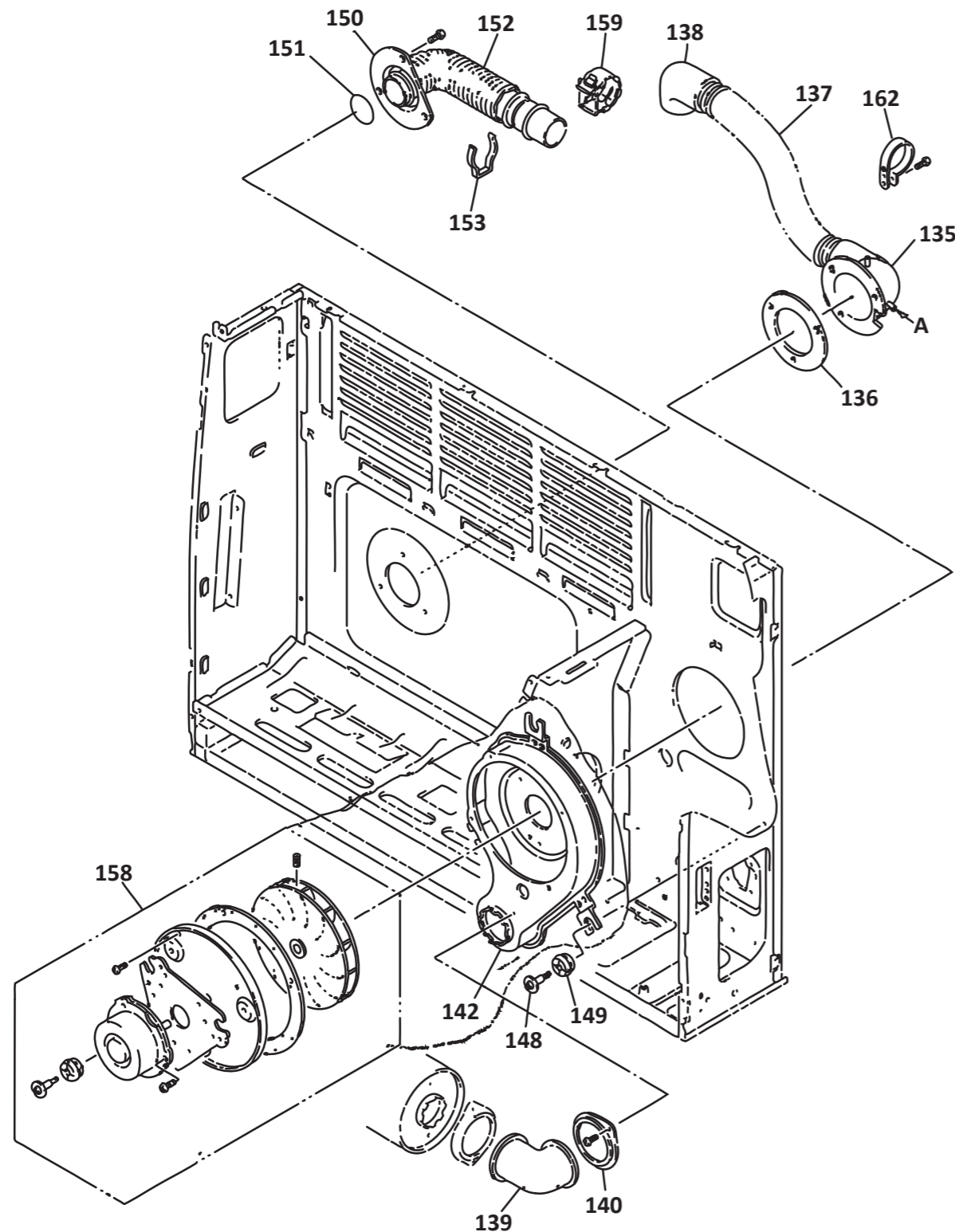


Ref.	Description	Qty.	Part No.
100	Heat exchanger assembly	1	5506
101	Heat exchanger mounting plate	1	5507
102	Combustion chamber fixer	1	5410
103	OHS mounting plate	1	5508
104	Burner box	1	4370
105	Flange board	2	5414
106	Seal plate	1	5413
107	Flame rod retainer	1	5409
108	Flame rod	1	4299
109	Flame rod bracket	1	5400
110	Flame rod packing	1	4230
111	Burner assembly	1	3091
112	Seal plate packing	1	5412
113	Burner box support assembly	1	5511
114	Burner box packing	1	4231
115	Burner box fitting plate assy	1	5429
116	Damper primary air guide	1	5512
117	Secondary air damper NG	1	4238
117	Secondary air damper LPG	1	4267
118	Fitting plate packing	1	5430
119	Manifold 559	1	5520
120	Injector 0.82 LPG	1	5521
120	Injector NG	1	5420
121	Manifold packing	1	5428
123	Electrode kit	1	R1345
125	Gas control assembly	1	5433
126	Main gas tube assembly	1	5522
127	O-ring	1	6642
128	O-ring	1	2389
129	Pressure point	1	5657
130	Packing	1	10290
131	Gas filter	1	13019
132	Gas inlet	1	4360

Ref.	Description	Qty.	Part No.
133	Connecting tube retainer	1	5438
134	Drain pan assembly	1	5525
141	Connecting tube fixer	1	5448
156	Pressure point screw	2	3564
157	O-ring	2	2239
161	Pressure tube	1	5529
702	Room thermistor assembly	1	5544
710	Overheat switch	1	4385
713	Sleeve	1	7564

Energysaver 559FT flued heater

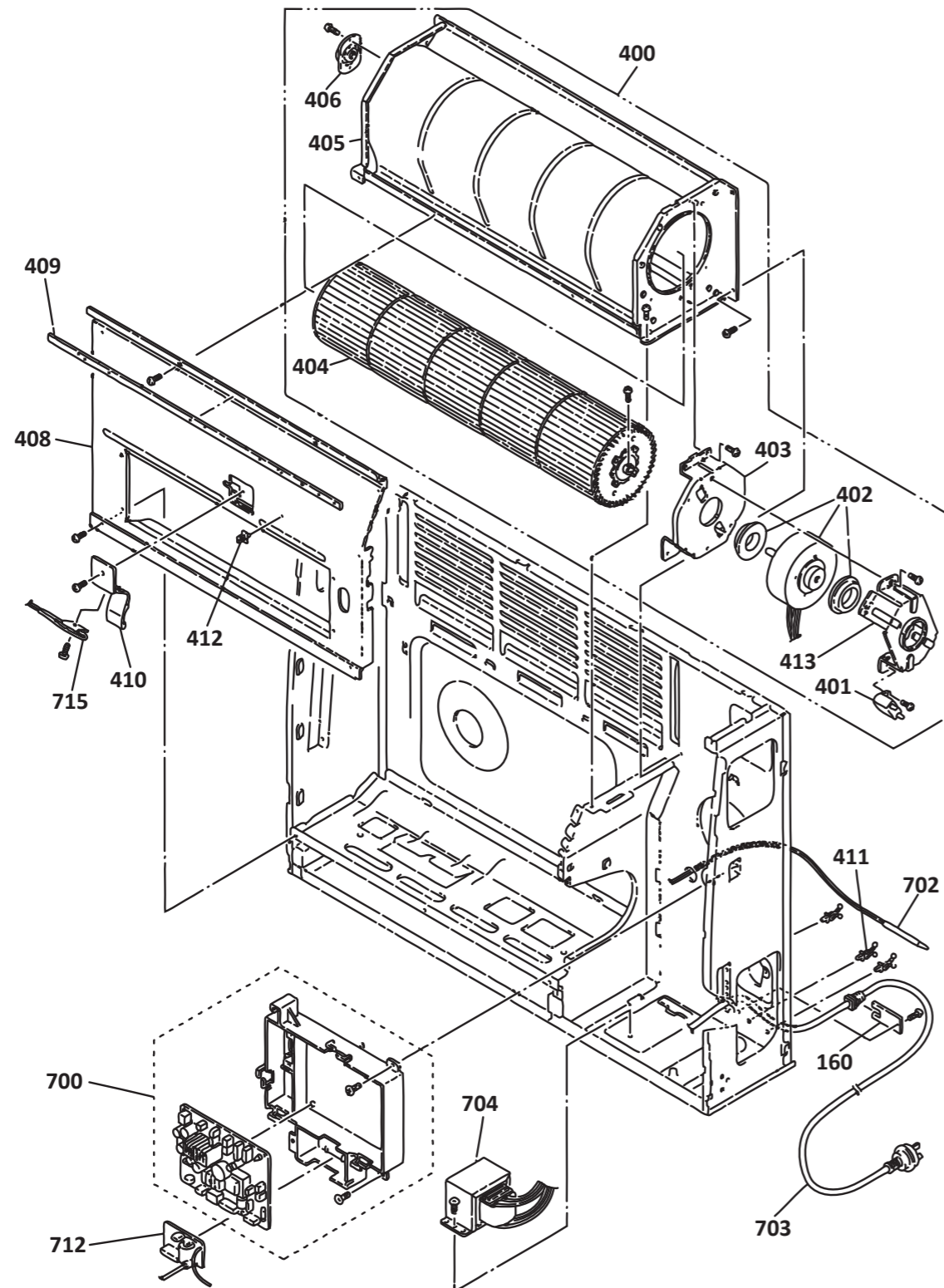
This diagram is provided to assist you to identify parts if replacement is necessary. Contact your place of purchase or the manufacturer to enquire about parts, availability and/or service.



Ref.	Description	Qty.	Part No.
135	Air inlet	1	5451
136	Air inlet packing	1	4053
137	Air intake hose	1	4048
138	Air inlet elbow	1	4040
139	Connecting tube	1	3102
140	Connecting tube fixer	1	3103
142	Combustion fan casing assembly	1	5526
148	Screw for motor	1	10291
149	Cushion rubber	1	4364
150	Sliding flue tube assembly	1	5527
151	O-ring E	1	4037
152	Cover	1	4176
153	Ring	1	4171
158	Combustion fan motor assembly	1	5528
159	Pipe stopper assembly	1	3455
162	Clamp	1	4373
-	Energysaver flue fittings kit	1	3112

Energysaver 559FT flued heater

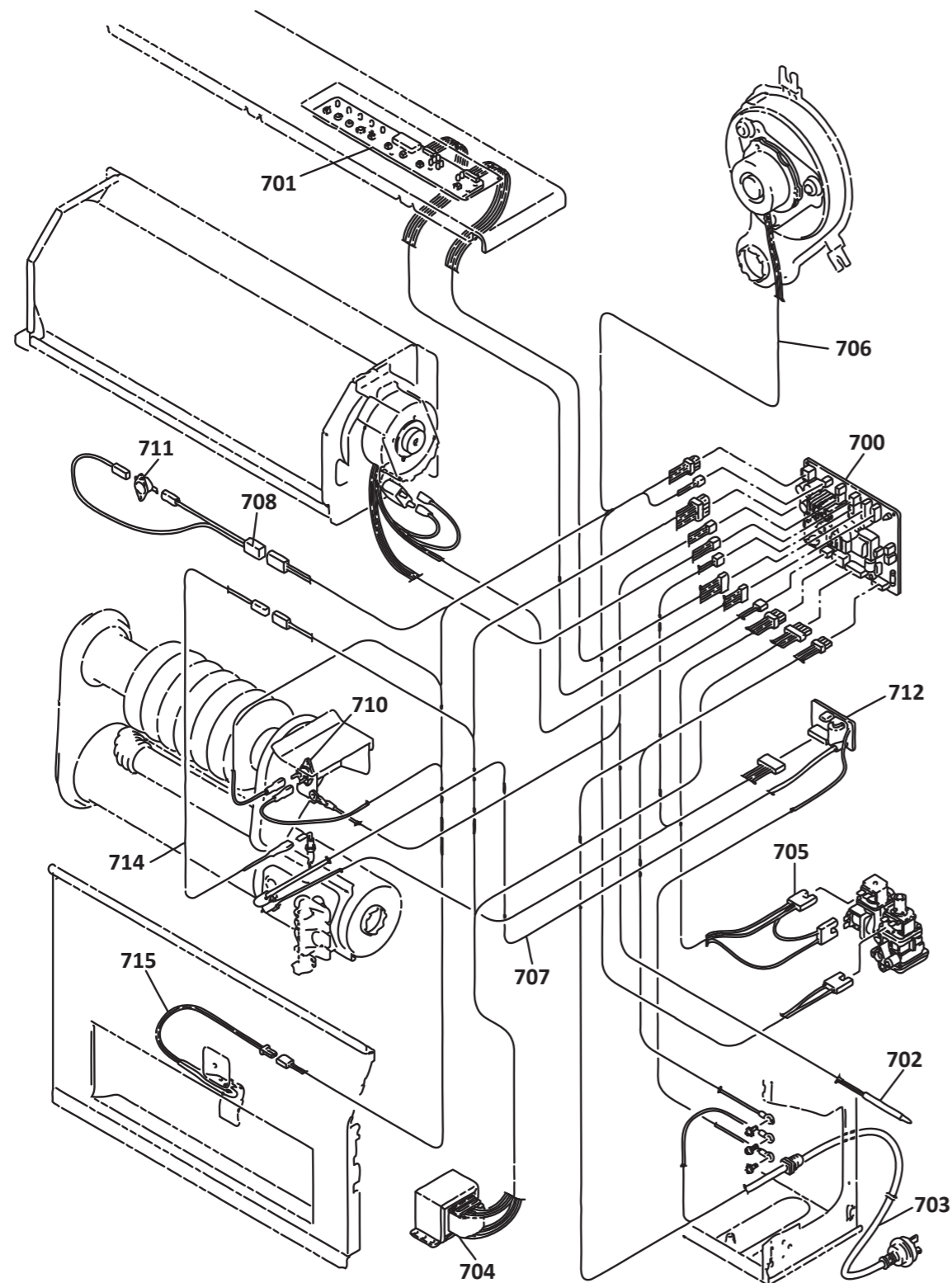
This diagram is provided to assist you to identify parts if replacement is necessary. Contact your place of purchase or the manufacturer to enquire about parts, availability and/or service.



Ref.	Description	Qty.	Part No.
160	Power supply cord bracket	1	5390
400	Convection fan total assembly	1	5530
401	Capacitor	1	3107
402	Convection fan motor	1	5531
403	Convection fan motor mounting	1	5532
404	Convection fan blade	1	5533
405	Convection fan casing assembly	1	5534
406	Bearing	1	5610
408	Heating shield assembly rear	1	5535
409	Heat shield seal	1	5537
410	Thermal fuse fixing plate	1	5460
411	Cable clip	1	5391
413	Convection fan motor bracket	1	5542
700	PCB assembly	1	5543
702	Room themistor assembly	1	5544
703	Power supply cord	1	5546
704	Transformer	1	5549
712	Ignitor	1	13006
715	Thermal fuse harness	1	13011

Energysaver 559FT flued heater

This diagram is provided to assist you to identify parts if replacement is necessary. Contact your place of purchase or the manufacturer to enquire about parts, availability and/or service.



Ref.	Description	Qty.	Part No.
700	PCB assembly	1	5543
701	Control circuit board	1	5464
702	Room thermistor assembly	1	5544
703	Power supply cord	1	5546
704	Transformer	1	5549
705	Gas control IG harness	1	5552
706	Fan harness	1	5554
707	High tension cord	1	5467
708	OHS harness assembly	1	5555
710	Overheat switch	1	4385
711	Overheat switch	1	4478
712	Ignitor	1	5466
714	Flame rod lead	1	4398
715	Thermal fuse harness	1	5472