

QU106DWH/QU1060DWHT/QU106DWHPT/QU106DWHCT

QUBO.

Michel César

bathroom collection



1060mm Wall Hung, 1 drawer.

! Dimensions — **W** 1060mm **H** 415mm **D** 470mm

! Paint — The paint used on our products is polyurethane or UV based. It is five times harder and more durable than lacquer finishes. Hundreds of colour matches available.

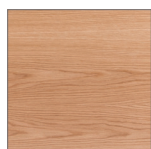
! Timber finishes — Our timber finishes are available Dark Oak, Natural Oak, White Oak, Walnut, Noce, Chestnut and Tussock. Being 100% natural products, each will have variations in grain and colour. All come stained and sealed with a protective UV finish.

! Available with or without vertical grooves. Handles also available on request.

Finishes



Dark Oak



Natural Oak



White Oak



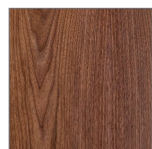
Noce



Walnut



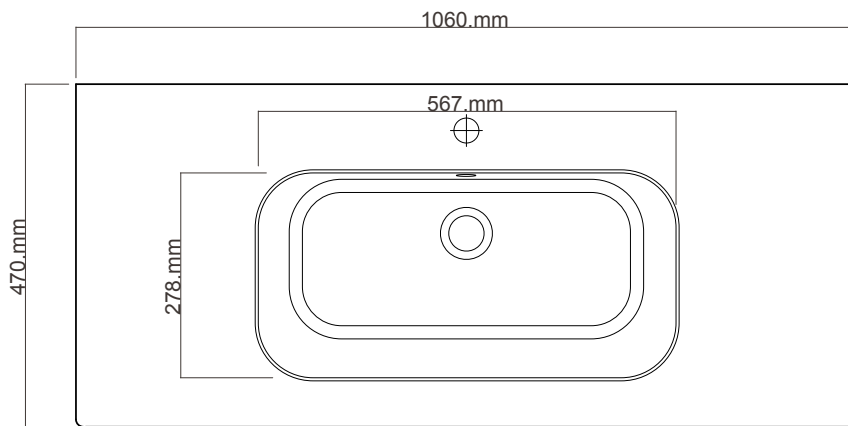
Chestnut



Tussock

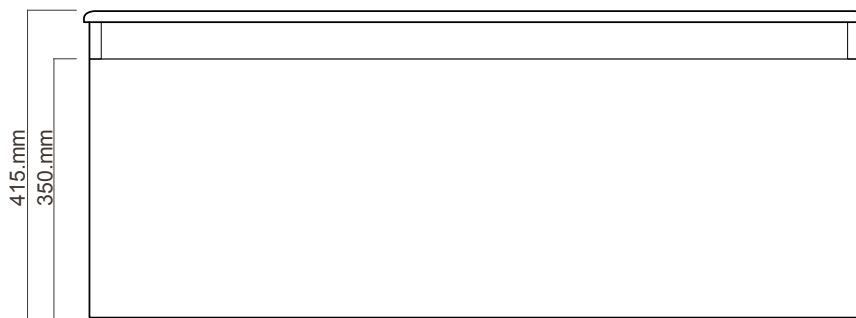


White Paint Finish

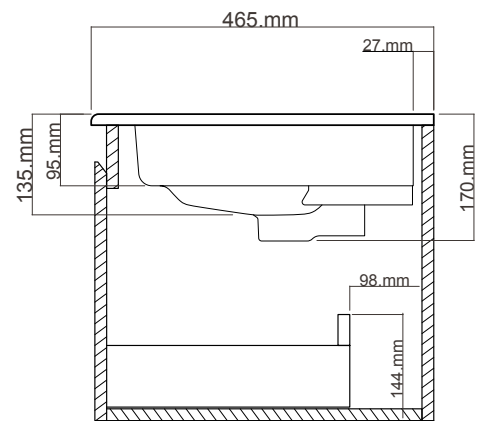


TOP WASHBASIN VIEW

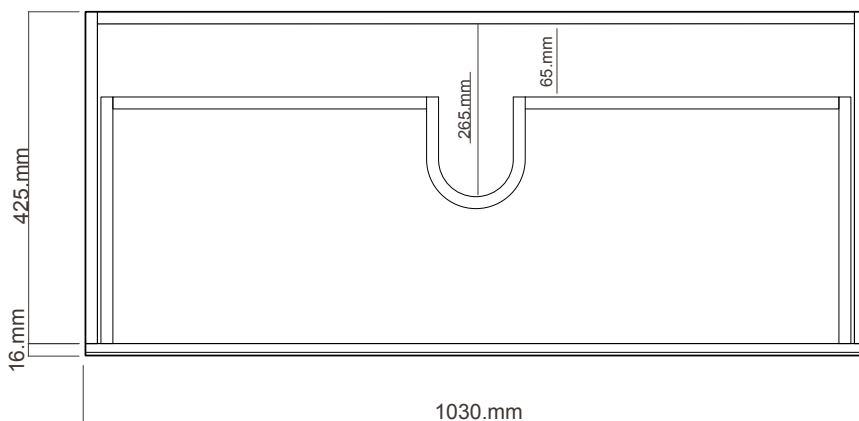
NOTE : Drawing indicate the technical measurement only and is not a reflection of how the unit will look.



FRONT VIEW



SIDE WASHBASIN VIEW



DRAWER

QUBO

Code: QU106DWH

Description: Wall Hung Unit
1060,1 Drawer, With
Qubo Ceramic
Basin, White.