

QU120DWH/QU120DWHT/QU120DWHPT/QU120DWHCT

QUBO.

Michel César

bathroom collection



1200 Wall Hung, 1 drawer.

Dimensions — **W** 1210mm **H** 415mm **D** 470mm

- + **Paint** — The paint used on our products is polyurethane or UV based. It is five times harder and more durable than lacquer finishes. Hundreds of gloss colour options available.
- + **Timber finishes** — Our timber finishes are available Dark Oak, Natural Oak, White Oak, Walnut, Noce, Chestnut and Tussock. Being 100% natural products, each will have variations in grain and colour. All come stained and sealed with a protective UV finish. Gloss option is available for most veneers.
- + **Available with or without vertical grooves.**
- + Handles also available on request.
- + **Contrasting top panel and drawer front options available.**

Finishes



Dark Oak

Natural Oak

White Oak

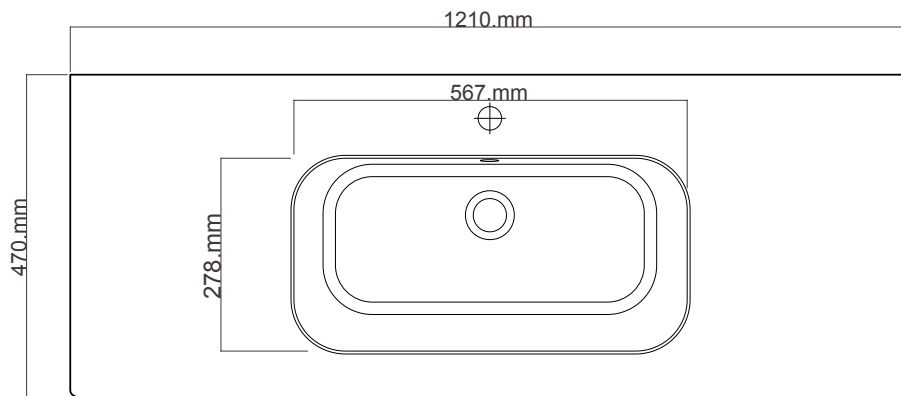
Noce

Walnut

Chestnut

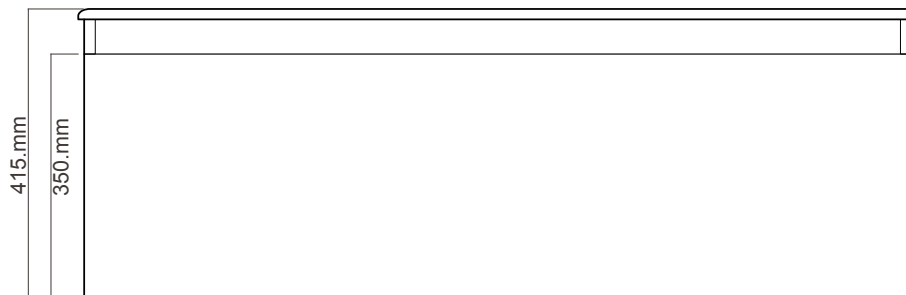
Tussock

White Paint Finish

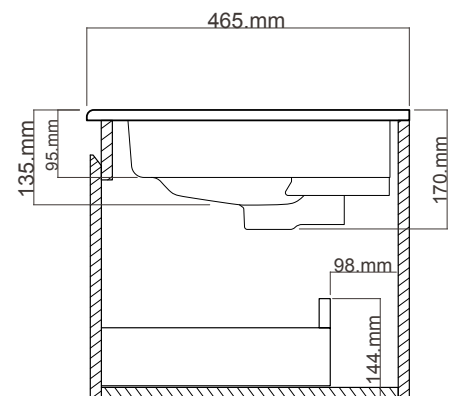


TOP WASHBASIN VIEW

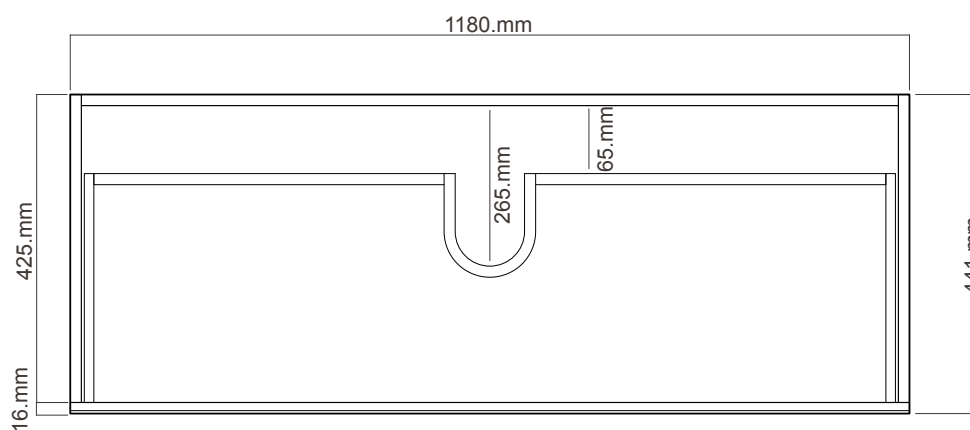
NOTE : Drawing indicate the technical measurement only and is not a reflection of how the unit will look.



FRONT VIEW



SIDE WASHBASIN VIEW



DRAWER

QUBO

Code: QU120DWH

Description: Wall Hung Unit
1210,1 Drawer,
With Qubo
Ceramic Basin,