

DOUBLE DRAWER

QUBO.

Michel César

QU120D2WH/QU120D2WHT/QU120D2WHVG/QU120D2WHTVG
QU120D2WHPT/QU120D2WHPTD/QU120D2WHC/QU120D2WHCT



Product Feature

- + Paint — The paint used on our products is polyurethane or UV based. It is five times harder and more durable than lacquer finishes. Hundreds of gloss colour options available.
- + Timber finishes — Our timber finishes are available in Dark Oak, Natural Oak, White Oak, Walnut, Noce, Chestnut and Tussock. Being 100% natural products, each will have variations in grain and colour. All come stained and sealed with a protective UV finish. Gloss option is available for most veneers.

Vanity Finishes



Blonde Oak

Natural Oak

White Oak

Noce

Walnut

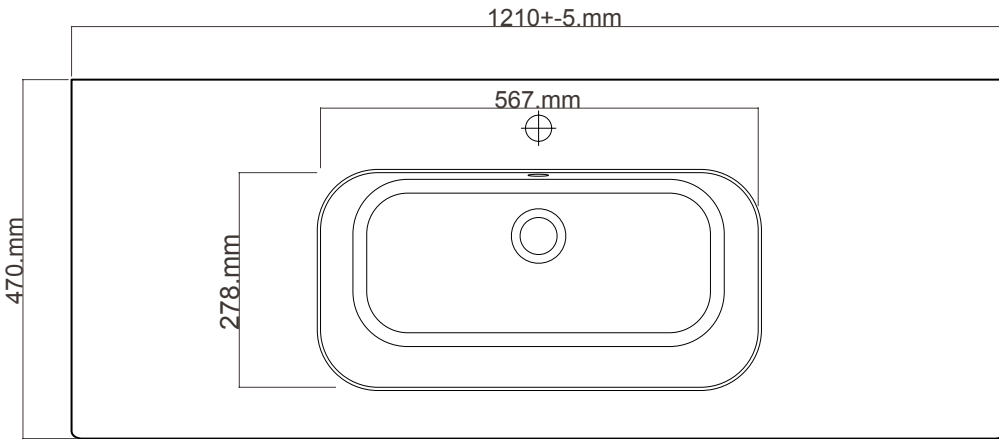
Dark Oak

Chestnut

Tussock

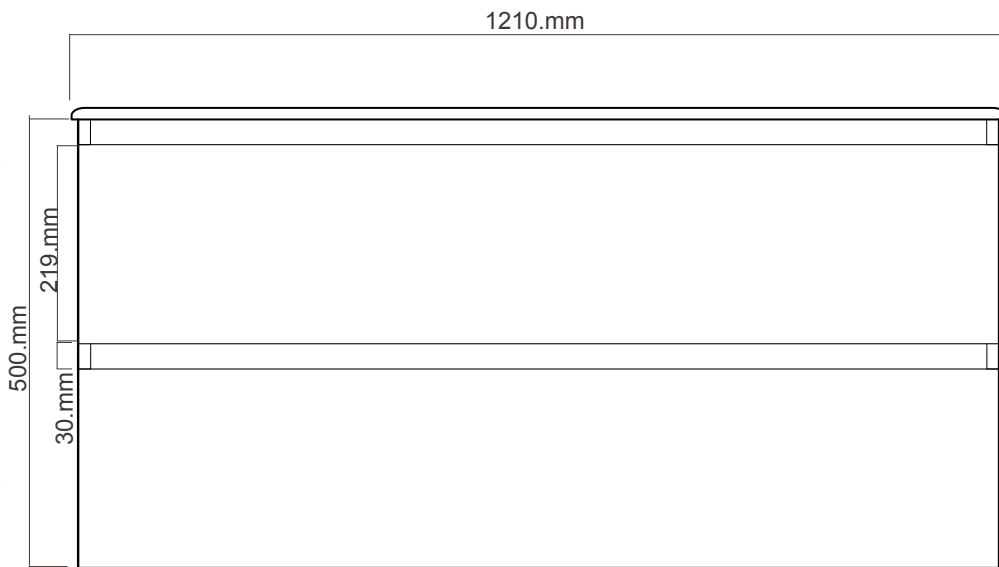
White Paint
Finish

NEW

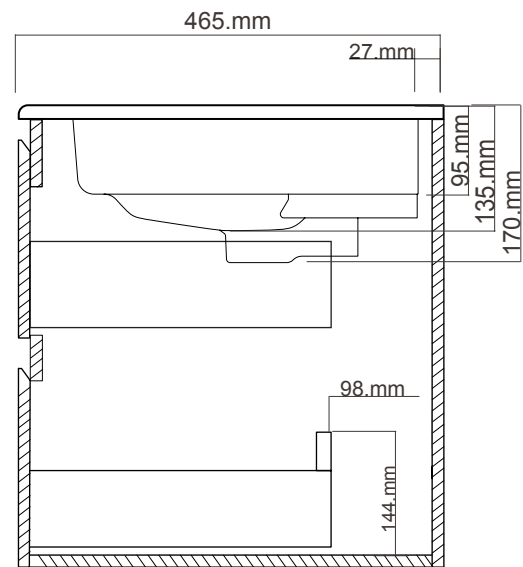


TOP WASHBASIN VIEW

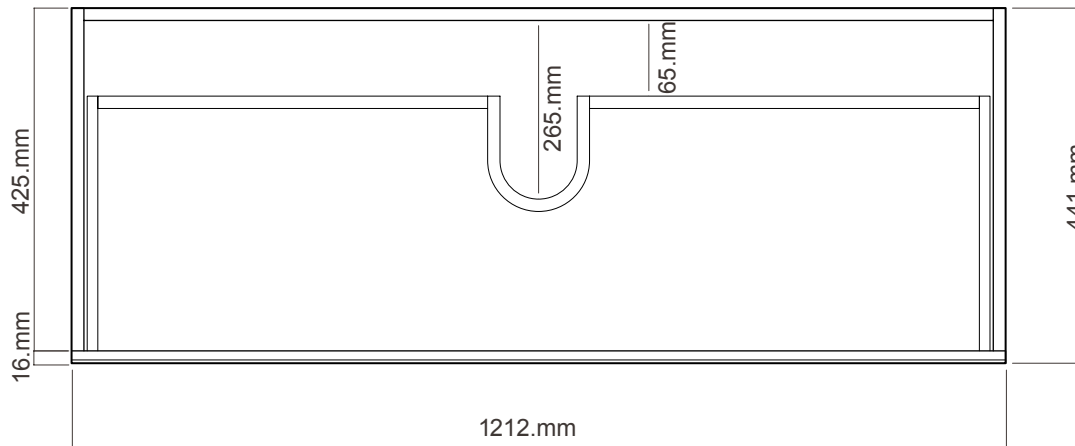
NOTE : Drawing indicate the technical measurement only and is not a reflection of how the unit will look.



FRONT VIEW



SIDE WASHBASIN VIEW



DRAWER

QUBO

Code: QU120D2WH

Description: Wall Hung Unit
1210,2 Drawer,
With Qubo
Ceramic Basin,