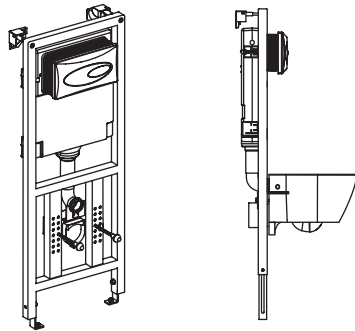
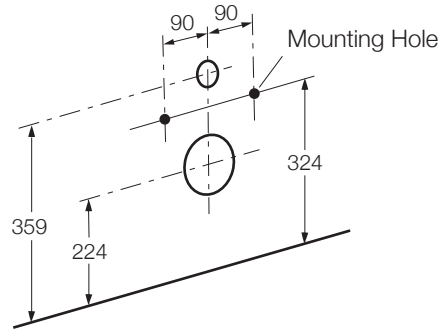


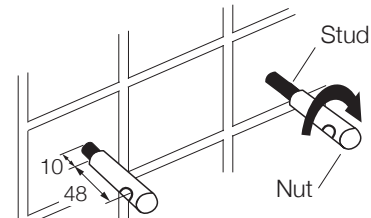
Recommended tank:
In-wall Tank 4179A-NA ,20010A-PNE-NA
or 20007A-PNE-NA (Install the tank per
tank's installation instructions).



1 Mark and drill the mounting holes
on the wall. Install the stud.

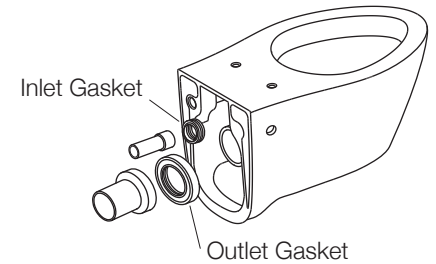
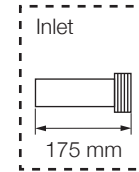


2 Leave 10 mm space for the nut strictly
according to the picture.

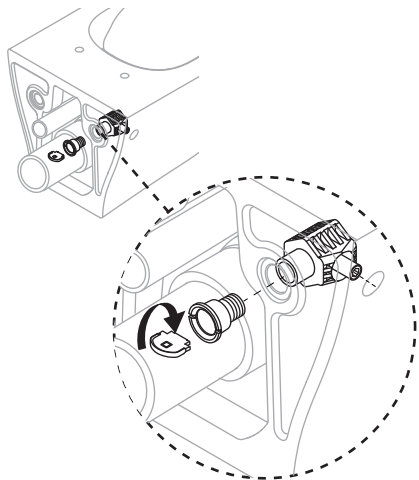


Tighten the nut to the stud.

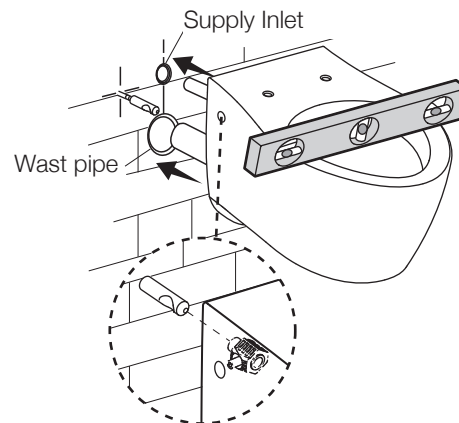
3 Connect inlet and outlet connector.



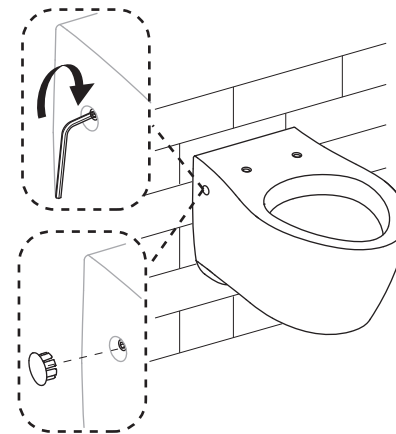
4 Install the mounting kit.



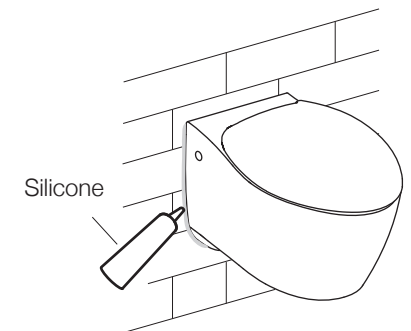
5 Install bowl to the wall.



6 Tighten the mounting kit and attach
the cap.



7 Apply sealant. Wipe away excess.
Install the seat according to the seat
instructions.



Care and Cleaning

For best results, keep the following in mind when caring for your product:

- Carefully read the cleaner product label to ensure the cleaner is safe for use on the material.
- Always test your cleaning solution on an inconspicuous area before applying to the entire surface.
- Wipe surfaces clean and rinse completely with water immediately after cleaner application. Rinse and dry any overspray that lands on nearby surfaces.
- Do not allow cleaners to sit or soak on the surface.
- Use a soft, dampened sponge or cloth. Never use an abrasive material such as a brush or scouring pad to clean surfaces.
- Be careful not to leave staining materials in contact with the surface for extended periods of time.
- The ideal cleaning technique is to rinse thoroughly and blot dry any water from the surface after each use.

CONTACT AND WARRANTY INFORMATION

For warranty information, please visit our website

Australia

www.au.kohler.com.

New Zealand

www.kohler.co.nz

KOHLER[®]

CALL US FOR HELP

NEW ZEALAND
KOHLER NZ LTD

AUSTRALIA
KOHLER CO.

Free Ph: 0800 564 537 (0800 KOHLER)
Free Fax: 0800 664 488
www.kohler.co.nz

Free Ph: 1 800 KOHLER
(1 800 564 537)
www.kohler.com.au