

Description

Curve 1700 Freestanding Back-to-Wall Bath

Product Code

15.B.26725

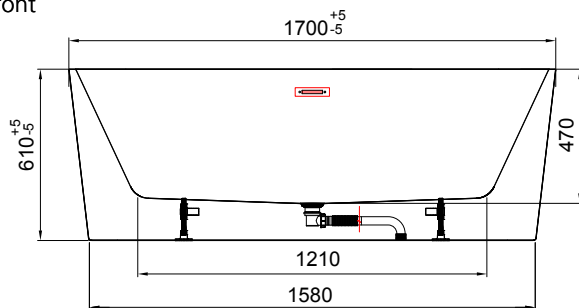


Features

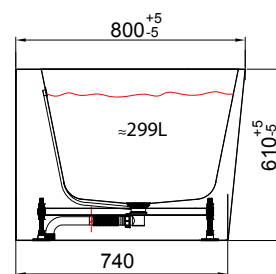
- Dimensions - W 1700 x H 610 x D 800 mm
- Made of acrylic – a sensual surface with excellent thermal properties. It retains the heat and is warm to touch. Also UV resistant.
- Includes overflow and pop-up waste.

Technical Drawings

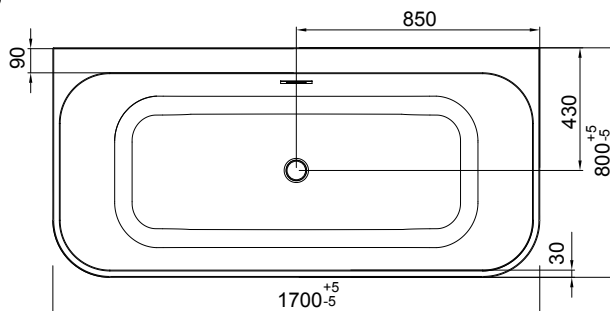
Front



Side



Top



Notes

Whole dimension tolerance is ± 5 . Waste hole dimension tolerance is $+2/-3$. Tap hole dimension tolerance is $+2/-1$. Drawing indicates the technical measurement only and is not a reflection of how the product will look. Sizes nominal only. All drawings in millimeters.