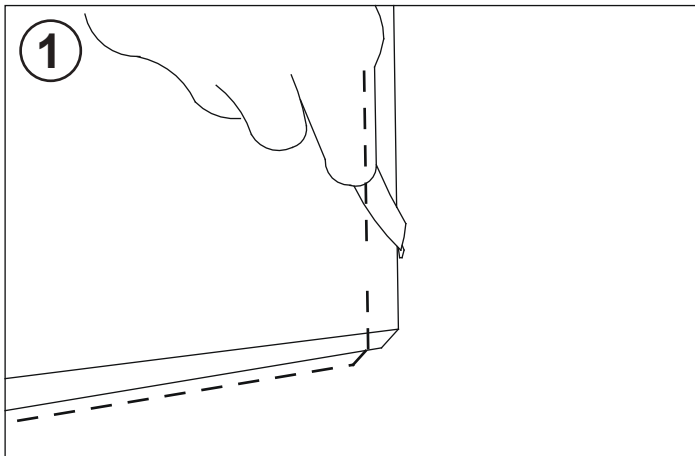
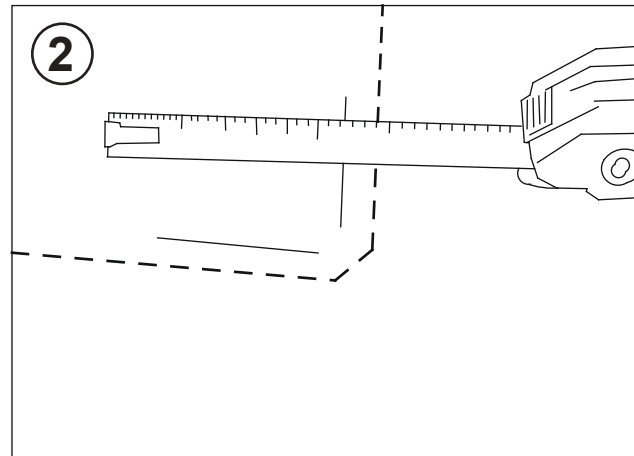


Important

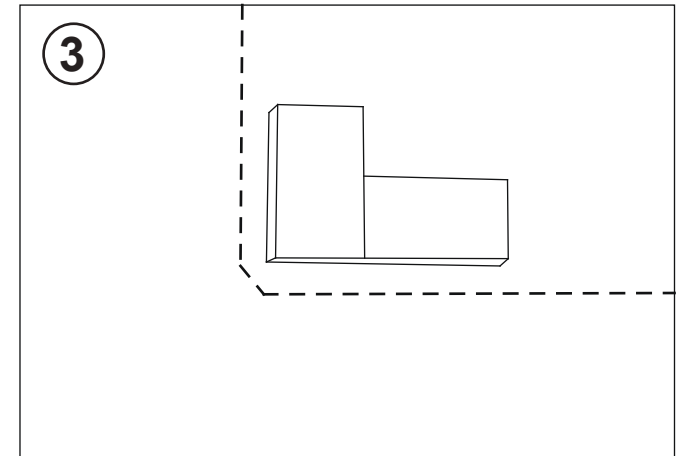
- Please unwrap the bath and check it carefully to ensure it has not been damaged in handling or transport.
- Assemble bath on a mat to protect against damage to bath surface.
- Please do not remove the old fixture before you unpack and inspect the new unit.
- Store the bath in a safe place until you begin installation to avoid damage.
- The bath can be drilled for tap holes as well as being suitable for freestanding taps.
- Any installation should be carried out by a qualified tradesman with knowledge of statutory plumbing requirements in your area.
- This product requires a two person lift – use proper lifting techniques.
- This installation guide does not include details of waste connection; final decision about installation of waste connection should be taken by a suitably qualified person.



- The floor which the bath sits on must be level.
- Place the bath in the desired position and draw around the outer shell with a pencil.
- Remove the bath to a place of safety.

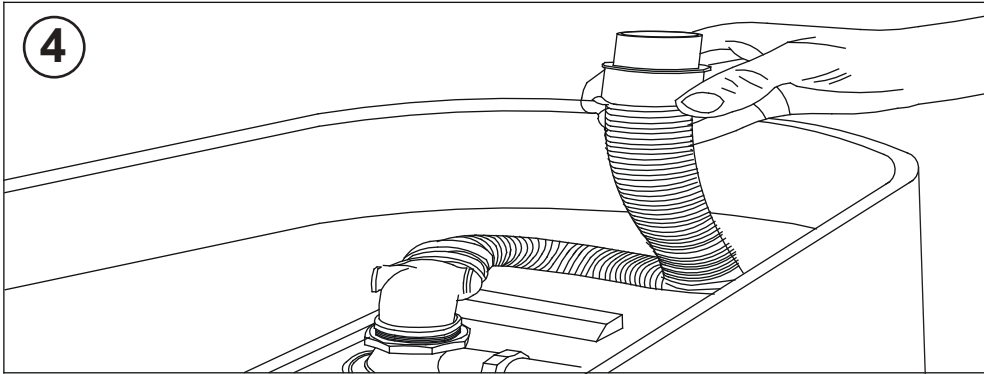


- Using the pencil template offset the template inside by 10mm.

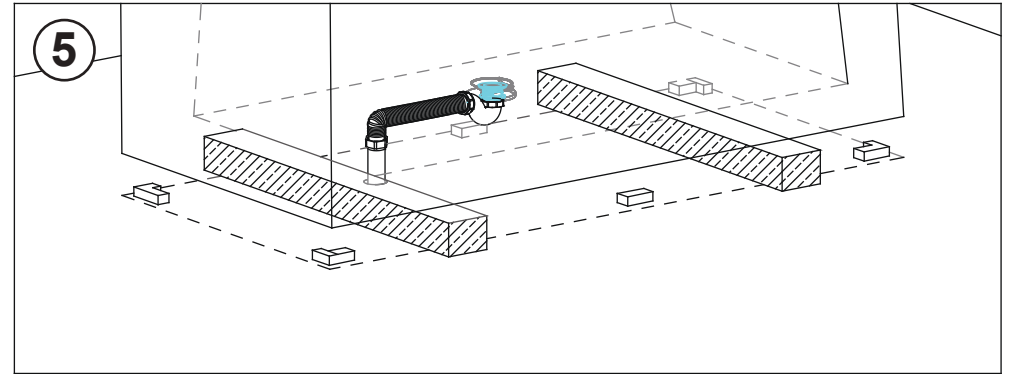


- Using blocks of 4 x 2 wood position them in a way which is shown in the picture around corners and in the middle of the bath length and secure to the floor. These blocks will act as stabilisers for the outer skin of the bath and stop the bath moving.

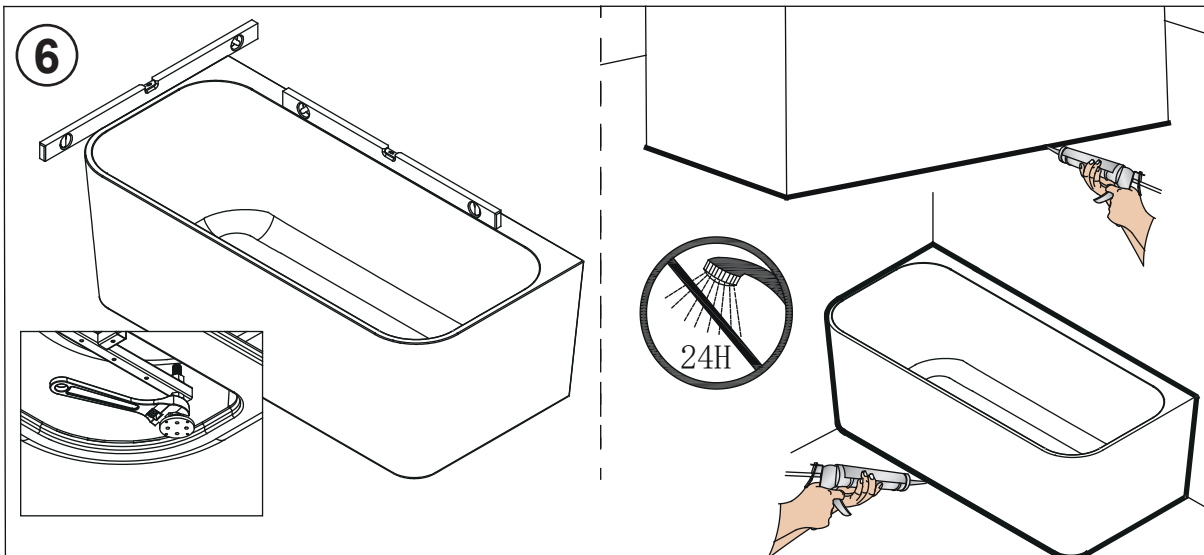
You can connect the drain pipe to the waste.



You can connect to it with a flexible drain pipe which enables you to tilt the bath up and move the bath into the required position. To avoid water retention in the trap the flexible pipe should have a continuous downward flow.



- Place the bath on two wooden blocks over the waste connections.
- Connect the waste. Fill the bath with water and check for leakage.



- Ensure the bath is level. Adjust feet at the bottom if necessary.
- Securing your bath to the floor!!!

When the bath is in position and the installation is complete, It is recommended that you apply a bead of clear silicone sealant around the bottom of the bath to secure it to the floor.

- Corner bath 15.B.27819 & 15.B.27819 should be secured to the wall by applying silicone sealant around the edge.
- Should maintenance access be needed the silicone can be released by cutting round it with a sharp knife.

Care and Maintenance

Repairing a scratch: If any scratches occur during installation these can be removed by rubbing with a 1500+ grit waterproof abrasive paper and water. Re-polish the surface afterwards using a neutral automotive colour restorer or household metal polish. For best results limit sanding to the smallest possible area around the scratch.

It may be possible to polish very fine scratches away without using abrasive papers:

scrubbing gently with a soft brush or plastic pad (not metal scouring pad) and a mildly abrasive cream cleaner. Afterwards scrub the whole area with plenty of clean water and re-polish as before.

It is advisable always to run in some cold water before turning on the hot tap. Extreme heat such as that generated by cigarettes or portable heaters can damage Acrylic surfaces. Do not use such items near your bath.

Everyday cleaning

We recommend a non-abrasive bathroom cleaner.