

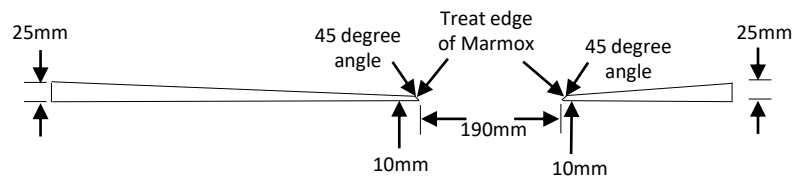
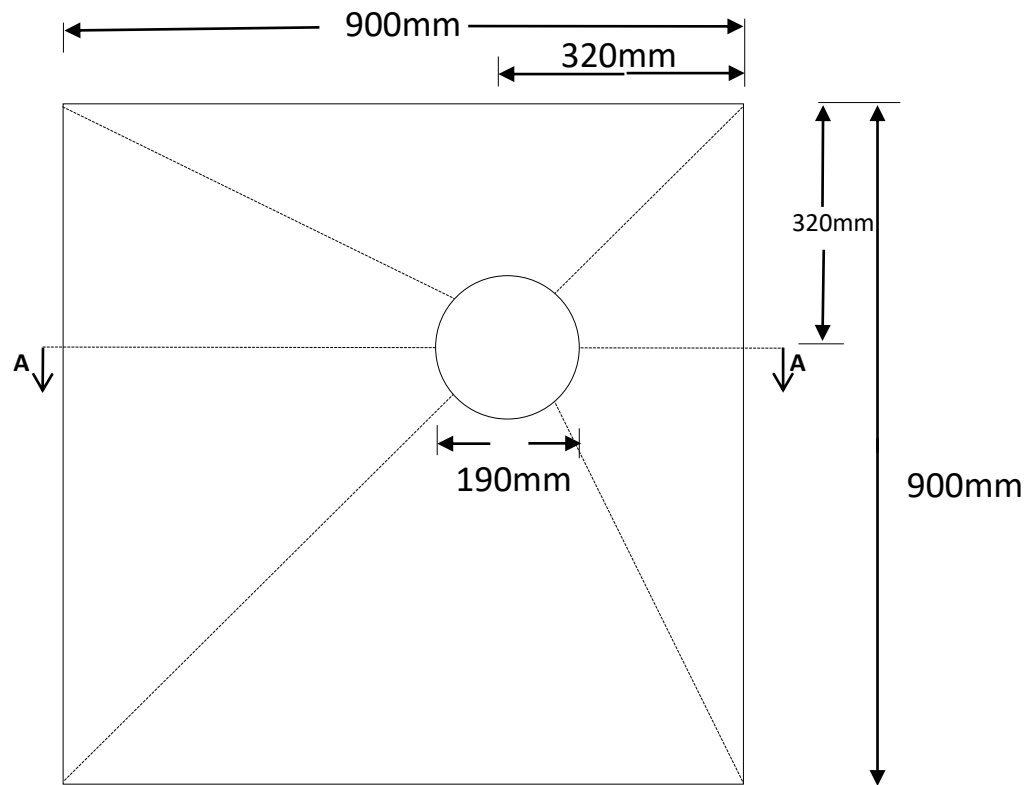
# Offset Drain

900mm x 900mm

Code: MXPST 0.9 – 0.9 OFF



## Top View



CROSS SECTION A

## Bottom View

