

Owners Guide and Installation Instructions



Office
701 Series



Commercial
702 Series



Eco
703 Series

Electric Boiling Water Unit



INSTALL A RHEEM®

Models 3, 5, 7.5, 10, 15, 25, & 40 Litre

This Boiling Water Unit must be installed and serviced by a qualified person. Please leave this guide with the owner .

Australia Only

**Notice to Victorian Customers from the
Victorian Plumbing Industry Commission.**

This Boiling Water Unit must be installed by a licensed person as required by the Victorian Building Act 1993.

Only a licensed person will give you a Compliance Certificate, showing that the work complies with all the relevant standards. Only a licensed person will have insurance protecting their workmanship for 6 years. Make sure you use a licensed person to install this unit and ask for your Compliance Certificate.

CONTENTS

ABOUT YOUR BOILING WATER UNIT	4
INTRODUCTION	4
SETTING THE TIMER FUNCTIONS 701 & 702 SERIES	7
A) SETTING THE CLOCK.....	8
B) SET TIMER TO STD/AUTO MODE	8
C) PROGRAMMING 'SET ON/OFF TIMES'	9
D) PROGRAMMING 'SLEEP DELAY TIMER'	10
E) SELECTING 'FILTER LIFE' FUNCTIONS	10
F) ACCESSING 'SERVICE MENU'	11
ERROR CODES	11
SETTING ECO MODE (703 SERIES)	15
SAVE A SERVICE CALL	18
INSTALLATION	19
LOCATION	19
WATER SUPPLY CONNECTION.....	20
OVERFLOW / VENT CONNECTION IMPORTANCE.....	20
ELECTRICAL REQUIREMENTS.....	23
COMMISSIONING	24
FAULT FINDING GUIDE	25
SPECIFICATIONS	26
MOUNTING DIMENSIONS	27
WALL PLATE DIMENSIONS 701 SERIES 3 & 5 LITRE MODELS	28
DIMENSIONS 701 SERIES	29
702 SERIES	30
703 SERIES	31
RHEEM WARRANTY	34

ABOUT YOUR BOILING WATER UNIT

INTRODUCTION

Thank you for choosing our Rheem Boiling Water Unit. Please take a few minutes to read this booklet because it contains important information about the correct installation and operation of your Rheem Boiling Water Unit. The Rheem Boiling Water Unit supplies boiling water. It is made from high quality copper and is designed to be installed indoors and away from any areas where a water jet could be used. The Rheem Boiling Water Unit is supplied with all the required safety controls for installation (not including the isolation valve prior to the Boiling Water Unit).

WARNING:

This boiling water unit is only intended to be operated by persons who have the experience or the knowledge and the capabilities to do so. This boiling water unit is not intended to be operated by persons with reduced physical, sensory or mental capabilities i.e. the infirm, or by children. Children should be supervised to ensure they do not interfere with the boiling water unit.

Do not use this appliance for anything other than its intended use, to avoid potential injury.

This Boiling Water Unit uses 230-240 V AC electrical power for operation of the control systems and the electrically operated components. The removal of the access cover(s) will expose 230-240 V AC wiring. The access cover(s) must only be removed by a qualified person.

This appliance is intended to be used in household and similar applications such as:

- Staff kitchen areas, office and other working environments;
- Farm houses;
- By clients in hotel, motel and other residential type environments;
- Bed and breakfast type environments.

SAFETY

This Boiling Water Unit is supplied with an over temperature cut-out to prevent element burn out in the event of control failure. If the electrical supply cord to the Boiling Water Unit is damaged, it must be replaced by a qualified competent person in order to avoid becoming a hazard. In Australia phone Rheem Service on 131 031, in New Zealand phone your nearest Rheem Service Centre on 0800 657 335 for an inspection. For extra electrical protection against power surges and spikes it is recommended that the user install a surge protector prior to the Boiling Water Unit.

WARNING:

The Rheem warranty may not cover faults if any of the installed safety devices are tampered with.

TO TURN OFF THE BOILING WATER UNIT

The 701 & 702 series Boiling Water Units are supplied with a programmable timer (see page 7), the 703 series Boiling Water Units have an Eco mode (see page 15) Rheem recommend the timer or Eco mode be used to conserve energy.

If it is necessary to turn off the Boiling Water Unit:

- Switch off the electrical supply at the isolating switch to the Boiling Water Unit.
- Close the cold water isolation valve at the inlet to the Boiling Water Unit.

TO TURN ON THE BOILING WATER UNIT

- Open the cold water isolation valve fully on the cold water line to the Boiling Water Unit.
- Switch on the electrical supply at the isolating switch to the Boiling Water Unit.

Note: The Boiling Water Unit may not appear to turn on immediately when it is first switched on as the electronic controller will automatically check the system prior to allowing water into the Boiling Water Unit (this could be up to 10 seconds).

On initial start up after installation, this Boiling Water Unit automatically runs through a set-up cycle to detect the boiling point of water. During this cycle steam may discharge from the vent pipe for a short time. This set-up cycle will take up to 18-30 minutes depending on unit, and when completed (boiling point detected) the unit will commence incremental filling. It is important NOT to operate the tap during the set-up cycle because it may affect the operating temperature of the unit.

IS THIS BOILING WATER UNIT INSTALLED CORRECTLY?

Installation requirements are shown under Installation (on page 19).
The Boiling Water Unit must be installed:

- by a qualified person, and
- in accordance with the installation instructions, and
- in compliance with Standards AS/NZS 3500.4, AS/NZS 3000 and all local codes and regulatory authority requirements.

In New Zealand, the installation must also conform to Clause G12 of the New Zealand Building Code

DOES THE WATER QUALITY AFFECT THE BOILING WATER UNIT?

The Boiling Water Unit is suitable for most public water supplies, however some water qualities may have detrimental effects on the Boiling Water Unit, its components and fittings. If you are in a known harsh water area you must first read Water Supplies (on page 17). If you are not sure, have your water quality checked against the conditions described on page 17.

HOW LONG WILL THE BOILING WATER UNIT LAST?

There are a number of factors that will affect the length of service the Boiling Water Unit will provide. These include but are not limited to the water quality, the water usage pattern etc. Refer to “Precautions” below, however your Boiling Water Unit is supported by a comprehensive Rheem warranty (refer “Rheem Warranty” on page 34).

PRECAUTIONS

The Boiling Water Unit must be maintained in accordance with the Owner’s Guide and Installation Instructions.

If this Boiling Water Unit is to be used where an uninterrupted boiling water supply is necessary for your application or business you should ensure that you have back up redundancy within the building. This should ensure the continuity of boiling water supply in the event that this Boiling Water Unit were to become inoperable for any reason. We recommend you seek advice from your plumber or specifier about your needs and building back up redundancy.

HOW YOUR BOILING WATER UNIT WORKS

The Boiling Water Unit is designed to operate using mains cold water pressure by connecting directly to the mains water supply. If the mains supply pressure in your area exceeds 1000kPa a secondary pressure limiting valve must be fitted.

The supply pressure should be greater than 50 kPa (3-10L), 75kPa (15-25L) or 100kPa (40L) for the Rheem Boiling Water Unit to operate to its optimum performance.

BOILING WATER

The Rheem Boiling Water Unit is electronically controlled to obtain the maximum performance, and incorporates further safety devices to prevent over temperature and over filling.

ELECTRONIC CONTROLLER & TIMER (701 and 702 Series)

Your Rheem Boiling Water Unit incorporates smart heating software and an electronic timer to obtain the best efficiency for the energy used. The electronic timer allows the user to program when the unit is on or off and when the sleep mode activates to save energy. Also the operator has the availability to indicate and diagnose any system faults that occur without the need to unnecessarily call for a service technician. (Refer “Setting the Timer” on page 7)

ECO MODE (703 Series)

The 703 Series also incorporates smart heating software and an electronic Eco mode to obtain the best efficiency for the energy used. The Eco mode allows the user to activate a ‘sleep delay mode’ to save energy after 2 hours of inactivity.

SETTING THE TIMER 701 & 702 SERIES

TIMER FUNCTIONS

701 & 702 Series have 24 hour timers fitted. For 703 series go to page 15.

Function	Mode	Description
Clock	N/A	Set clock time.
STD/AUTO	STD	Boiling Water Unit 'ON' 24 hours 7 days.
	AUTO	Boiling Water Unit operates according to programmed 'Set ON/OFF Times'.
Set ON/OFF Times	N/A	Program ON/OFF times for AUTO mode.
Sleep Delay Time	N/A	Program delay-off time from last usage (operates in AUTO mode only).
Filter Life*	Remaining Life	Displays remaining filter life in litres.
	Filter Reset	Resets filter 'Remaining Life' to 'Set Filter Life' setting. Utilised when replacing filter.
	Set Filter Life	Program filter life start value in litres.
Service Menu	Error Codes	Displays alpha error codes (refer to page 11 for error codes and their meanings).
	Boiling Temp	Displays the current boiling water temperature in °C.
	Calib. Reset	Reactivates automatic boiling point calibration operation.
	Temp Override	Manually select calibrated temp setting. Selectable from 70 – 99°C.
	Software Version	Displays Timer and Controller software versions (top = Timer, lower = Controller).
	Temp Show ON/OFF	Enable/disable boiling water temperature display on timer screen (in °C).
	TB Treq	Displays boiling water temperatures in °C. (TB = calibrated temp, Treq = maintained temp).

* Lazer Boiling Water Units do not have a water filter fitted. However filter life functions for 701 and 702 Series can be utilised if the water supply to the Boiling Water Unit has an external water filter fitted. You can install an optional Rheem remote filter kit (PN 317327), which is recommended for areas with poor water quality.

To select a Timer Mode

Press the **(P)** button until the desired mode is displayed on the screen. Press the **(✓)** button to confirm selection. Pressing **(X)** button at any time returns the unit to the main menu. Any functions previously accepted will be retained.

Note: The display will revert back to main menu from any mode if a button has not been pressed for 1 minute.

A) Setting the Clock

1. Press and release the (P) button, 'Clock' is displayed flashing on the screen.
2. Press and release the (✓) button to confirm selection. 'Set Clock Day' will be displayed on the screen with the day selection shown flashing.
3. Press and release the (▲) button until the desired day is selected.
4. Press and release the (✓) button to confirm selection. 'Set Clock HOUR' will be displayed on the screen with the hours section of the time shown flashing.
5. Press and release the (▲) button until the desired hour (24 hour time) appears flashing on the screen.
6. Press and release the (✓) button to confirm selection. 'Set Clock MIN' will be displayed on the screen with the minutes section of the time shown flashing.
7. Press and release the (▲) button until the desired minute appears flashing on the screen.
8. Press and release the (✓) button to confirm selection. The display will revert to the main menu and the time setting will be saved.

B) Set Timer to STD/AUTO Mode

1. Press and release the (P) button until 'Timer STD/AUTO' is displayed flashing on the screen.
2. Press and release the (✓) button to confirm selection. 'STD' will be displayed flashing on the screen.
3. Pressing and releasing the (▲) button alternates between the 'STD' and 'AUTO' icons.
4. Press and release the (✓) button when the 'STD' or 'AUTO' icon is shown on the display. The display will revert to the main menu. If 'STD' is selected the unit will operate 24 hours a day. If 'AUTO' is selected the unit will operate according to the pre set times on the timer (refer to 'Programming Set ON/OFF Times' below).

Note: If the timer is in AUTO mode and is in an 'OFF' period, the pressing of any timer buttons will reactivate the unit. The unit will then operate normally until the next programmed 'OFF' time.

C) Programming 'Set ON/OFF Times' (For Use in 'AUTO' Mode)

Note: A highlighted numeral i.e. 7:00 indicates that the highlighted numeral 7 is flashing on the display. X:XX is your time setting.

1. Press and release the (P) button until 'Set ON/OFF Time' is displayed flashing on the screen.
2. Press and release the (✓) button to confirm selection. 'SUN 7:00 – 7:00 Set ON hour' will be displayed on the screen.
3. Press and release the (▲) button until the desired hour appears flashing on the screen.
4. Press and release the (✓) button to confirm selection. 'SUN X:XX – X:XX Set ON minute' will be displayed on the screen.
5. Press and release the (▲) button until the desired minutes appear flashing on the screen.
6. Press and release the (✓) button to confirm selection. 'SUN X:XX – X:XX Set OFF hour' will be displayed on the screen.
7. Press and release the (▲) button until the desired hour appears flashing on the screen.
8. Press and release the (✓) button to confirm selection. 'SUN X:XX – X:XX Set OFF Minute' will be displayed on the screen.
9. Press and release the (▲) button until the desired minutes appear flashing on the screen.
10. Press and release the (✓) button to confirm selection. 'MON 7:00 – 17:30 Set ON hour' will be displayed on the screen.
11. Continue steps 3 – 8 for Monday through to Saturday. When step 8 is completed for Saturday the display will automatically revert to the main menu and the program will be saved.

Note: To program the unit to be in 'OFF' mode for an entire day, set the 'ON' and 'OFF' times to be the same i.e. ON = 0:00 OFF = 0:00.

D) Programming 'Sleep Delay Time'

1. Press and release the (P) button until 'Sleep Delay Time' is displayed flashing on the screen.
2. Press and release the (✓) button to confirm selection. 'Sleep Delay Time OFF' will be displayed on the screen with 'OFF' flashing.
3. Press and release the (▲) button until the desired time setting appears flashing on the screen. Each consecutive push and release of the (▲) button increases the time setting in one hour increments up to a maximum of 6 hours. If the (▲) button is pressed and released after '6' is reached 'OFF' will be displayed and if accepted, the sleep delay timer will be turned off.
4. When the desired setting is reached press and release the (✓) button to confirm selection. The display will revert to the main menu and the setting will be saved.

D) Programming 'Sleep Delay Timer' Continued

Note: The sleep function puts the unit in a standby mode after a user defined period (1 – 6 hours). The unit will enter 'Sleep' mode if it has **not** been used for the programmed 'Sleep Delay Time' period. During 'Sleep' mode the unit will maintain the boiling water temperature at 0°C instead of the normal Treq (Temperature required) approximately 97°C. To exit 'Sleep' mode, press any timer button to reactivate the unit. The unit will then operate normally.

E) Selecting 'Filter Life' Functions

The Filter Life function has three modes to select from, 'Remaining Life', 'Filter Reset' and 'Set Filter Life'. The Filter Life is factory set to OFF as the default setting.

These modes are accessed as follows:

Accessing 'Remaining Life'

1. Press and release the **(P)** button until 'Filter Life' is displayed flashing on the screen. Note: if 'Remaining Life – COUNT IS OFF' is displayed on the screen proceed directly to step 3 otherwise proceed to step 2.
2. Press and release the **(✓)** button to confirm selection. 'Remaining Life XXXX Litres' will be displayed on the screen where XXXX is the value of remaining filter life in litres.
3. Press and release the **(X)** or **(✓)** button to revert back to the main menu.

Activating 'Filter Reset' & 'Set Filter Life'

1. Press and release the **(P)** button until 'Filter Life' is displayed on the screen. Note: if 'Remaining Life – COUNT IS OFF' is displayed on the screen proceed directly to step 3 otherwise proceed to step 2.
2. Press and release the **(✓)** button to confirm selection. 'Remaining Life XXXX Litres' will be displayed on the screen.
3. Press and release the **(▲)** button. 'Filter Reset' is displayed on the screen.
4. Press and release the **(✓)** button to confirm selection. 'Are You Sure' will be displayed flashing on the screen.
5. Press and release the **(✓)** button to confirm selection. 'Set Filter Life YYYY Litres' is displayed on the screen (with 'YYYY Litres' flashing) where YYYY is the previous preset value in litres. Note: 'OFF' may be displayed flashing on the screen if the previous value was set to OFF.
6. Press and release the **(▲)** button until the desired setting appears flashing on the screen. Each consecutive push and release of the **(▲)** button increases the capacity setting in 1,000 litre increments from a start value of 1,000 litres up to a maximum setting of 14,000 followed by OFF.
7. Press and release the **(✓)** button to confirm selection. The display will revert to the main menu and the setting will be saved.

F) Accessing 'Service menu'

The service menu has seven modes to select from (refer to 'Timer Functions' on page 7). This function allows easy identification of problems occurring with the unit by the service technicians (see details on the table below for Product error codes).

Each mode is accessed as follows:

Select Appropriate Service Mode

- i Error Codes
- ii Boiling Temp
- iii Calib Reset
- iv Temp. Override
- v Software Version
- vi Temp Show ON/OFF
- vii TB Treq

Product Error Codes

i) Accessing Error Codes

1. Press and release the **(P)** button until 'Service' is displayed on the screen.
2. Press and release the **(✓)** button to confirm selection. 'Error Codes' will be displayed on the screen.
3. Press and release the **(X)** or **(✓)** button to revert back to the main menu.

Note: An error code will be automatically cleared from the display when the fault relating to that error code is rectified and the Boiling Water Unit is re-powered. Refer to the error code table below for error codes and their meaning.

Error Code Table

ERROR	CODE	ERROR	CODE
Hot Thermistor Fault O/C- S/C	A*	High Level Probe Fault	J
Heating Triac S/C – Uncontrolled Temperature Rise	C*	Water Heating Fault – Element Not Heating	L
Expired Filter	E	Software Reboot	M
Calibration Time Out	G	Rapid Temperature Rise – Empty Tank	N
Low Level Probe Fault	H		

Notes: Error Code Table

Fault codes without an asterisk (*) are informational only and the Boiling Water Unit will continue to operate however the affected section may not function.

Fault codes with an asterisk (*) displayed are critical faults. If detected, the Boiling Water Unit unit will shut down and control board relay will de-energise. In Australia phone Rheem service on 131 031, in New Zealand call a Rheem Service Centre 0800 657 335 for a service call.

ii) Accessing Boiling Temp

Press and release the (P) button until 'Service' is displayed on the screen.

1. Press and release the (✓) button to confirm selection. 'Error Codes' will be displayed on the screen with any error codes listed below.
2. Press and release the (▲) button until 'Boiling Temp XX °C' is displayed on the screen where XX is the current boiling water temperature in °C.
3. Press and release the (X) or (✓) button to revert back to the main menu.

iii) Activating Calibration Reset Mode

Different altitudes will cause water to boil at different temperatures. To prevent the water in the boiling water tank from boiling continuously (which is not energy efficient) the Boiling Water Unit is fitted with an altitude calibration function which automatically operates when the unit is operated for the first time or if 'calibration reset mode' is activated. If the boiling water delivery temperature is not hot enough or the unit continuously boils, 'calibration reset mode' should be activated to recalibrate the unit.

When the unit is calibrating, the Boiling Water Unit will boil the water twice (approximately 60 seconds each time) in order to calibrate the optimum boiling point according to altitude. During this procedure steam and water droplets will be vented from the vent outlet. During the calibration period the unit may create higher than expected noise levels. ***The entire calibration period will take approximately 18 – 30 minutes and must not be interrupted; this includes operation of the tap outlet.***

1. Press and release the (P) button until 'Service' is displayed on the screen.
2. Press and release the (✓) button to confirm selection. 'Error Codes' will be displayed on the screen with any error codes listed below.
3. Press and release the (▲) button until 'Calib. Reset' is displayed on the screen.
4. Press and release the (✓) button to confirm selection. 'Are You Sure' will be displayed on the screen.

iii) Activating Calibration Reset Mode Continued,

5. Press and release the (✓) button to activate calibration mode. 'Error Codes' will be displayed on the screen with any error codes listed below.
6. Press and release the (✓) button to revert back to the main menu 'Calibrating Do Not Interrupt' will be displayed on the timer screen and the unit will recalibrate the boiling water temperature. When calibration is complete the timer display will automatically revert back to the main menu.

iv) Activating Temp Override

Temperature override allows the installer to set the calibrated temperature to perform a fast calibration when the unit is operated for the first time, or to change the boiling water temperature to a selectable value from 70°C – 99°C.

1. Press and release the (P) button until 'Service' is displayed flashing on the screen.
2. Press and release the (✓) button to confirm selection. 'Error Codes' will be displayed on the screen with any error codes listed below
3. Press and release the (▲) button until 'Temp override' is displayed on the screen.
4. Press and release the (✓) button to confirm selection. The current calibrated (or preset) boiling water temperature will be displayed flashing on the screen.
5. Press and release the (Up) button until the desired setting appears flashing on the screen. Each consecutive press and release of the (Up) button increases the boiling water temperature setting in 1° increments from 70°C to a maximum of 99°C.
6. Press and release the (✓) button. 'Are You Sure' will be displayed flashing on the screen.
7. Press and release the (✓) button to confirm selection after which time the timer screen will revert back to the main menu, 'Calibrating Do Not Interrupt' will be displayed on the timer screen and the unit will recalibrate the boiling water temperature to the new selected temperature. When calibration is complete the timer display will automatically revert back to the main menu.

v) Accessing Software Version

1. Press and release the (P) button until 'Service' is displayed on the screen.
2. Press and release the (✓) button to confirm selection. 'Error Codes' will be displayed on the screen with any error codes listed below.
3. Press and release the (▲) button until 'Software Version' is displayed on the screen.
4. Press and release the (✓) button to confirm selection. The software version will be displayed on the screen. The top digits refer to the timer software version and the lower digits refer to the controller software version.
5. Press and release the (X) or (✓) button to revert back to the service menu. 'Error Codes' will be displayed on the screen.
6. Press and release the (X) or (✓) button to revert back to the main menu.

vi) Permanently Display the Boiling Water Temperature

(Temp Show ON/OFF)

This function allows the temperature of the water within the Boiling Water Unit to be permanently displayed on the timer display screen.

1. Press and release the **(P)** button until 'Service' is displayed on the screen.
2. Press and release the (✓) button to confirm selection. 'Error Codes' will be displayed on the screen with any error codes listed below.
3. Press and release the (▲) button until 'TempShow ON/OFF' is displayed on the screen.
4. Press and release the (✓) button to confirm selection. The current setting, 'ON' or 'OFF' will be displayed flashing on the screen.
5. Press and release the (▲) button to cycle between ON and OFF.
6. Press and release the (✓) button to confirm selection. The display will revert to the service menu. 'Error Codes' will be displayed on the screen.
7. Press and release the **(X)** or (✓) button to revert back to the main menu.

vii) Accessing Calibrated & Required Temperature (TB Treq) Information

This function allows the user to see what Temperature the unit calibrated to, and the subsequent required temperature the unit is required to be maintained at.

1. Press and release the **(P)** button until 'Service' is displayed on the screen.
2. Press and release the (✓) button to confirm selection. 'Error Codes' will be displayed on the screen with any error codes listed below.
3. Press and release the (▲) button until 'TB Treq' is displayed on the screen. Under the letters 'TB' the boiling water calibration temperature will be displayed in °C. Under the letters 'Treq' the temperature the unit will maintain the water at will be displayed in °C.
4. Press and release the **(X)** or (✓) button to revert back to the main menu.

Keypad Lock

This function is for extra security to prevent tampering with the unit settings. Default setting is disabled.

To activate keypad lock

1. Press and release the **(P)** button until 'Keylock' is displayed on the screen.
2. Press and release the (✓) button to confirm selection. 'Key lock enable' will be displayed on the screen.
3. Press and release the (✓) button to confirm selection. 'Keypad Locked' will be displayed on the screen when any button is pressed.

To deactivate keypad lock

Press **(P)** and **(▲)** buttons simultaneously for a period of approximately 10 seconds until 'Keypad Locked' disappears from the screen and display returns to normal.

SETTING ECO MODE (703 SERIES)

Timer Functions for 703 Series Eco mode

The 703 Series Boiling Water Units are supplied with an energy saving Eco mode.

Eco mode is a 'Sleep Delay Mode' which when activated will automatically shut the system down after a set period of time with no use (2 hours).



To activate Eco mode, press and release the 'ECO' button. When the 'ECO' button is released the green 'ECO' LED will illuminate to indicate the unit is in sleep delay mode. Power will still be on to maintain set temperature until 2 hours with no use has lapsed. After 2 hours with no use (from last inlet solenoid valve operation) the unit will go to sleep at which time 'Treq' (Treq - temperature required) becomes 0°C (normally 97°C). When the unit is in sleep mode the red 'ECO' LED from 'PRESS ECO TO HEAT' text will illuminate.

To 'wake up' the unit during 'Sleep Delay Mode', press and release the 'ECO' button whilst the red 'ECO' LED from 'PRESS ECO TO HEAT' is illuminated. When the 'ECO' button is released the red and green 'ECO' LED lights will be extinguished, sleep mode will be deactivated and operation will return to normal, heating the water to the calibrated value, approximately 97°C.

To deactivate Eco mode, press the 'ECO' button whilst the green 'ECO' LED light is illuminated. When the 'ECO' button is released, the green 'ECO' LED will be extinguished and Eco mode is deactivated.

Note: Heating will continue as normal whilst in sleep delay mode until the 2 hour period of no use time elapses. The 'ECO' button does not need to be pushed for heating unless the red 'ECO' LED from 'PRESS ECO TO HEAT' text is illuminated.

Activating Calibration Reset Mode: - 703 Series

Different altitudes will cause water to boil at different temperatures. To prevent the water in the boiling water tank from boiling continuously (which is not energy efficient) the Boiling Water Unit is fitted with an altitude calibration function which automatically operates when the unit is operated for the first time or if 'calibration reset mode' is activated. If the boiling water delivery temperature is not hot enough or the unit continuously boils, 'calibration reset mode' should be used to recalibrate the unit.

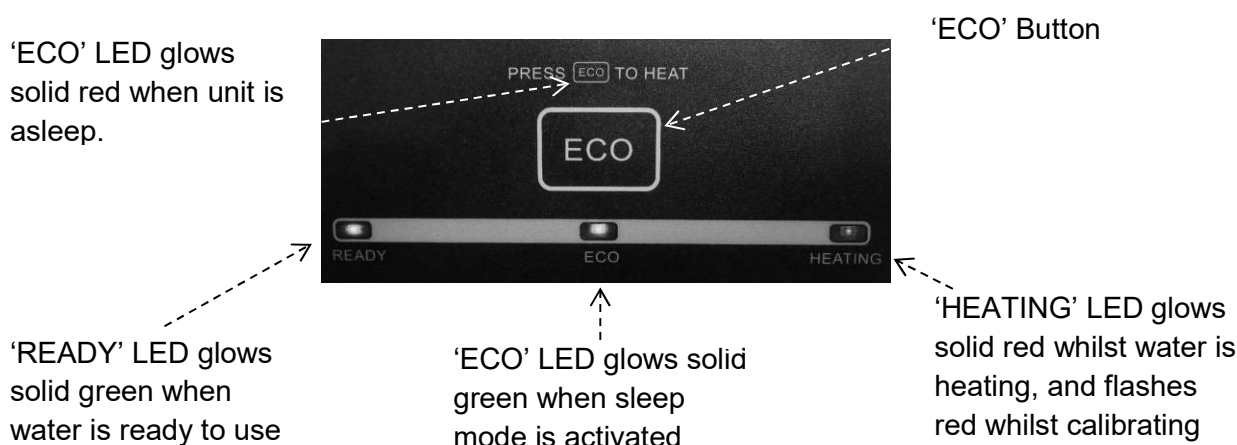
When the unit is calibrating, the Boiling Water Unit will boil the water twice (approximately 60 seconds each time) in order to calibrate the optimum boiling point according to altitude. During this procedure steam and water droplets will be vented from the vent outlet on the tap. ***The entire calibration period will take approximately 18-25 minutes and must not be interrupted, this includes operation of the tap outlet.***

To activate calibration reset mode, turn off the power to the unit. Press and hold the 'ECO' button and restore the power to the unit. Once the red 'HEATING' LED is flashing, release the 'ECO' button. When the unit has completed its calibration cycle, the red 'HEATING' LED will illuminate solidly.

Eco Mode LED Indication

The Eco mode display has integral LED's which indicate system status as follows:

LED	LED Status	Description
'HEATING' text	On red flashing	Calibration cycle in progress
'HEATING' text	On red solid	Heating in progress
'READY' text	On green solid	Boiling water ready
'ECO' Green LED	On green solid	Sleep delay mode activated
	Off	Sleep mode deactivated
'ECO' Red LED illuminates 'PRESS ECO TO HEAT'	On red solid	Unit is asleep



Operating the Boiling Water Unit Tap

The 702 and 703 Series have a push - pull tap assembly. Water flows from the tap directly below the lever when the lever is operated.

The 702 and 703 Series may be fitted with an optional safety tap, with a release button in the centre of the tap lever. These are a pull tap assembly which requires a three-step action to control dispensing. Water flows from the tap directly below the lever when the lever is operated. See specifications on page 26 for part numbers.

The 701 Series has a push - pull lever located in the front panel of the unit. When operated, boiling water flows from the spout on the underside of the unit.

Water Supplies

Your Boiling Water Unit is manufactured to suit the water conditions of most Australian and New Zealand metropolitan water supplies. However, there are some known water supplies which can have detrimental effects on the Boiling Water Unit and its operation and/or life expectancy. If you are unsure of your water quality, you can obtain information from your local water supply authority. This Boiling Water Unit should only be connected to a water supply which complies with these guidelines for the Rheem warranty to apply.

Chloride and PH

In a high chloride water supply, the water can corrode copper or stainless steel parts and cause them to fail. Where the chloride level exceeds 250 mg/L the Rheem warranty does not apply to the Boiling Water Unit. The pH is used as a measure of the water's alkalinity and acidity. In an acidic water supply, the water can attack metal parts and cause them to fail. Where the pH is less than 6.5 or greater than 7.5, the Rheem warranty does not apply to the Boiling Water Unit.

Saturation Index

The saturation index is used as a measure of the water's corrosive or scaling properties. In a corrosive water supply, the water can attack copper parts and cause them to fail. Where the saturation index is less than -1.0, the water is corrosive and the Rheem warranty does not apply. In a scaling water supply, calcium carbonate is deposited out of the water onto any hot metallic surface. Where the saturation index exceeds +0.80, the Rheem warranty does not apply to the inner tank unless a water softening device is installed.

WARNING

Boiling Water Units not installed in accordance with the above advice will not be covered by the Rheem warranty.

SAVE A SERVICE CALL

Check the items below before making a service call. You will be charged for attending to any condition or fault that is not related to manufacture or failure of a part.

Not Enough (Or No) Boiling Water

- **Is the electricity switched on?**

Inspect the wall power socket to see if it is switched on. Also check the fuse or circuit breaker at the switchboard to see if it is blown or tripped.

- **Is the timer or Eco mode in the off / sleep period?**

Check if the timer or Eco mode has been set to turn off, if so the unit could be below the optimum delivery temperature.

Water Not Hot Enough?

Heavy usage

You may find that due to heavy boiling water usage the water temperature may be lower than normally expected due to insufficient heating time being allowed.

High altitude

The Boiling Water Unit is fitted with automatic altitude calibration to prevent the water from continually boiling, which is not energy efficient. Different altitudes will cause the unit to boil at different temperatures. If you believe the water temperature is not hot enough, recalibrate the unit (701 & 702 Series see page 12, 703 series owners see page 16).

High Electricity Bills

Should you at any time, feel your electricity account is too high, we suggest you check the following points: 701 & 702 Series are supplied with a programmable timer and sleep mode. Check to see if these features have been activated. Refer to 'Setting the Timer' 701 & 702 Series on page 7. 703 series have a sleep delay mode, to activate see page 15.

Unit Will Not Switch Off

The electronic timer on 701 and 702 Series will only switch the unit on or off when it is in "Auto" mode (See section B on page 8) or sleep mode (Eco mode on 703 Series, see page 15) is activated, otherwise the unit will operate 24 hours a day 7 days a week.

No Water Coming Out Of The Tap

There may have been a large draw off prior. Wait a minute for the unit to fill enough for you to get water out. If water will still not come out of the tap check the display, if there is an error message contact Rheem service. In Australia phone 131 031, in New Zealand phone Rheem Service Centre on 0800 657 335 to resolve any problems with the unit.

INSTALLATION

LOCATION

This Boiling Water Unit is suitable for indoor installation only.

INSTALLATION STANDARDS

The Boiling Water Unit must be installed:

- by a qualified person, and
- in accordance with the installation instructions, and
- in compliance with Standards AS/NZS 3500.4, AS/NZS 3000 and all local codes and regulatory authority requirements.

In New Zealand, the installation must also conform to Clause G12 of the New Zealand Building Code.

BOILING WATER UNIT APPLICATION

If this Boiling Water Unit is to be used where an uninterrupted boiling water supply is necessary for the application or business, then there should be redundancy within the building. This should ensure the continuity of boiling water supply in the event that this Boiling Water Unit was to become inoperable for any reason. We recommend you provide advice to the system owner about their needs and the buildings backup redundancy.

OPENING THE UNIT

The jacket is removed from all models, by undoing the 4 retaining screws at the top and bottom of the jacket, and pulling the jacket forward. The removal of the jacket will expose 230-240 V AC wiring. This must only be removed by a qualified person.

MINIMUM CLEARANCES

For ventilation reasons, all units require a minimum clearance of 50mm on all sides, however it is not recommended to enclose the unit in a cupboard. For ease of servicing (where there is sufficient space) Rheem recommend 300mm clearance from the top of all units. For element replacement reasons Rheem recommend clearance of 150mm from the right hand side of 3 to 10 litre units and 300mm from the left hand side of the 15 to 40 litre units. Rheem recommend a minimum clearance of 400mm measured from the underside of the Boiling Water Unit jacket to any sink bench.

MOUNTING

The Boiling Water Unit when installed is suspended from mounting screws located into keyhole slots at the back of the Boiling Water Unit (refer to Mounting Dimensions on page 27). Be sure that the mounting screws are securely inserted into the keyhole slots. The screws **MUST** be anchored in such a way, that they will hold the weight of the unit when filled with water, (refer to the specifications table on page 26).

WALL PLATE 3 AND 5 LITRE 701 SERIES

3 & 5 litre 701 Series have a wall plate supplied to allow fixing of the new Boiling Water Unit utilising the existing fixings. The wall plate has been pre-drilled so that the holes in the wall plate are located where the original mounting points were for Rheem Lazer, Zip (Australia) or Zenith (NZ) Boiling Water Units. Once the wall plate has been secured to the wall, the new Boiling Water Unit is easily mounted on to the wall plate, by means of two integrated hooks of the wall plate that locate into two elongated slots in the Boiling Water Unit back panel, marked as dimension H on page 27. To prevent the Boiling Water Unit lifting off the wall plate, prior to fitting the Boiling Water Unit to the wall plate, using a 6mm flat blade screwdriver, bend the locking tab on the Boiling Water Unit back panel outward approximately 8mm. See page 28 for wall plate dimensions.

WARNING

Before drilling into the wall make sure that the screw positions avoid any pipe-work or electrical cables. Allow 4 mm clearance between the screw head and the wall for locating the unit.

WATER SUPPLY CONNECTION

Cold mains pressure water (refer to Specifications on page 26 for minimum water pressures) must be piped and connected to the 1/2" BSP inlet fitting located on the left hand side underneath the unit. An accessible isolating valve must be installed near the unit. This unit contains an inlet strainer on the water inlet connection (refer to figure 1 below). For rear entry connection on 3-10 litre models, we recommend that you use prefabricate pipework for ease of connection.

VENT AND INLET CONNECTION

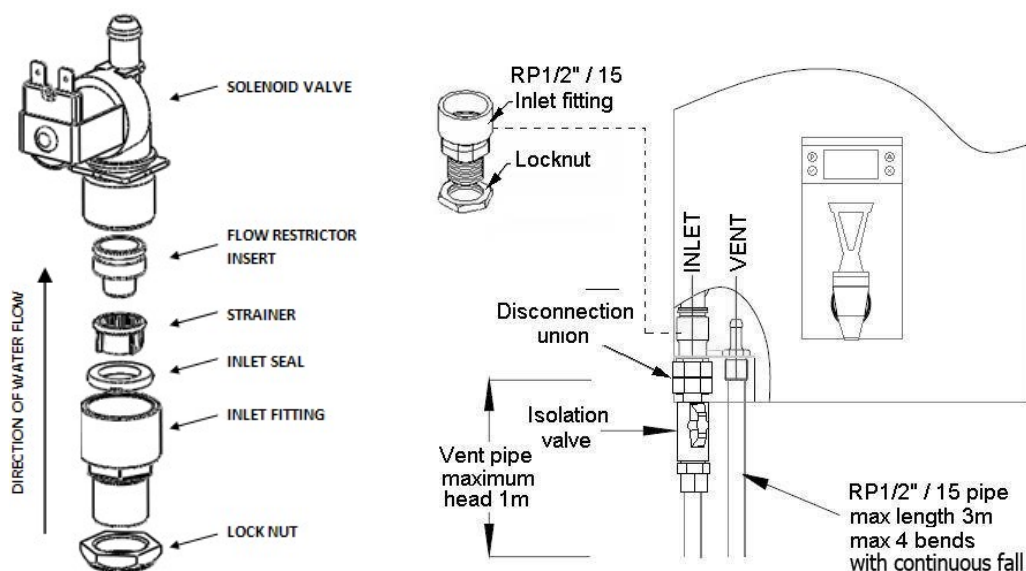


Figure 1: Inlet Connection

Figure 2: Overflow / Vent Connection

All Models

OVERFLOW / VENT CONNECTION IMPORTANCE

Connect a 15 mm (½") pipe to the overflow/vent connection (½" BSP nipple). This pipe is to be made of a material such that continuous steam will not degrade it (i.e. copper). This pipe must have a continuous fall, not exceeding 3 metres in length and or contain no more than 4 bends (refer to figure 2 page 20).

WARNING

Serious damage can occur to person or property if incorrect material is used and the overflow/vent pipe degrades whilst in use.

WARNING

If the site situation requires an overflow/vent pipe exceeding 3 metres in length, then a tundish will be required for the overflow/drain discharge. The drain pipe work must not exert a pressure of more than 1 metre of head on the Boiling Water Unit (refer to figure 2). During normal operation of the Boiling Water Unit, the overflow/vent connection may discharge small quantities of steam and condensate, so it is ESSENTIAL that the drain pipe is attached to the overflow vent connection. This drain pipe must discharge to waste at a point where no scald injury, nuisance, inconvenience, and or damage is caused to people or property in the immediate vicinity.

WARNING

Ensure the overflow/vent line remains open because the Boiling Water Unit tank is not designed to be pressurised. Where freezing may occur, protect the pipes and install an air break. It is recommended to install an air break in the overflow/vent drain line, no more than 300 mm from the Boiling Water Unit. Also it is important to connect the overflow/vent and water inlet correctly. Incorrect connection of pipe work may damage the unit. A tundish must NOT be fitted beneath the electronic controller as steam and condensate will cause damage.

DRAINING

To drain 3-25L models, turn unit off and open tap until no water flows out. Remove unit from wall and tip over with tap open until unit is empty. For 40L units, a drain plug is accessible from the bottom of the unit (note switch unit off before draining)

WARNING

Before draining the unit, ensure the appliance has been switched off, and water is not hot enough to scald.

IMPORTANT

Installation and maintenance of the Rheem Boiling Water Unit shall be carried out by a qualified service person. In Australia phone Rheem service on 131 031, in New Zealand phone your nearest Rheem Service Centre on 0800 657 335.

SERVICING

It is suggested for peak performance that the Boiling Water Unit be serviced every six months in harsh water areas, every 12 months in normal water areas.

WARNING

Servicing must be performed by suitably qualified persons.

Minor Six Month Maintenance

It is recommended minor maintenance be performed every six months by an approved service person.

To ensure continuing satisfactory operation, it is suggested that the inlet strainer be serviced every six months by a qualified service person. Where poor water quality is present it is recommended to install an additional auxiliary filter.

Major Five Year Service

It is recommended a major five year service be conducted on the Boiling Water Unit. The service must be conducted by a qualified person. In Australia phone Rheem Service on 131 031 or their nearest Accredited Service Technician. In New Zealand phone your nearest Rheem Service Centre on 0800 657 335.

Note: The five year service and routine replacement of any components are not included in the Rheem warranty. A charge will be made for this work.

The major service includes:

- Check the electric heating unit for excessive calcium build up or corrosion and replace if necessary.
- Visually check the unit for any potential problems.
- Inspect all connections.

OUTLET TAP - 702 and 703 Series

To prevent damage during transport the outlet tap (along with its associated O-ring) is bubble wrapped and placed in the top of the Boiling Water Units protective packaging. The tap is connected to the tap extension by a chrome-plated nut and sealed with the supplied O-ring as per example in figure 3. The nut is tightened using a 29mm AF spanner for Commercial 702 and Eco 703 series.

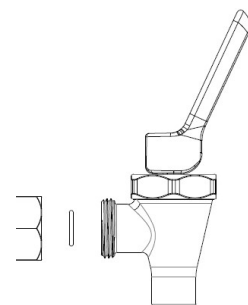


Figure 3: Tap Assembly Example

ELECTRICAL REQUIREMENTS

WARNING

This Boiling Water Unit contains electronic equipment and insulation tests must only be conducted between neutral and earth or between active and earth.

- 230 – 240 Volts AC, 50 Hz, Single Phase
- 7.5 Amps on 3 litre
- 10 Amps on 5, 7.5, 10 & 15 litre models
- 15 Amps on 25 litre model
- 20 Amps on 40 litre model

A flexible cord is supplied on all 3, 5, 7.5, 10 and 15 litre models. Do not loosen the cord grip or pull excess cord into the Boiling Water Unit. If the supply cord of this unit is damaged, it must be replaced by the manufacturer or a qualified service person.

The 25 and 40 litre models must be installed with fixed wiring. A means of disconnection from all active (phase) conductors of the power supply must be incorporated during installation in accordance with the wiring rules.

COMMISSIONING

To Turn On and Fill the Boiling Water Unit



Do not turn on the unit until the outer jacket has been fitted.

- Turn on the water supply and then the electrical supply at the isolating switch to the Boiling Water Unit.
- The unit should begin filling (check for external leaks)
- 701 and 702 series, set the timer. Refer to “Setting the Timer” on page 7
- 703 series, automatic calibration begins when the unit is switched on.



IMPORTANT:

On initial start up, this Boiling Water Unit automatically runs through a set-up cycle to detect the boiling point of water. During this cycle steam may discharge from the vent pipe for a short time and the unit may create higher than expected noise levels. This set-up cycle will take up to 18-30 minutes depending on unit, and when completed (boiling point detected) the unit will commence incremental filling. It is important NOT to operate the tap during the set-up cycle because it may affect the operating temperature of the unit. Explain to the householder or responsible officer the functions and operation of the Boiling Water Unit. Upon completion of the installation and commissioning of the Boiling Water Unit, leave this guide with the responsible officer.

701 and 702 Series

The factory setting for the unit is programmed to automatically operate 24 hours a day, 7 days a week. It is highly recommended for the user to program the timer, as this will increase the life of the unit, and consume less power (see page 7 for Setting the Timer). The electronic controller constantly monitors and controls the water level and water temperature to optimise the boiling water delivery.

703 Series

The unit is designed to automatically operate 24 hours a day, 7 days a week. It is highly recommended for the user to activate the Eco function, as this will increase the life of the unit, and consume less power (see page 15 setting the Eco mode). The electronic controller constantly monitors and controls the water level and water temperature to optimise the boiling water delivery.

FAULT FINDING GUIDE

It is strongly recommended that any REMEDY be carried out by a qualified service person

Rheem Boiling Water Unit - Fault Finding Guide		
Symptom	Possible Cause	Remedy
1	<p>The unit does not fill with water</p> <p>There is no power supply There is no water supply The filter is blocked Electronic controller failure Solenoid valve failure Water Fliter is blocked</p>	<p>Check the electrical supply Check the water supply Check the inlet strainer, clean or replace Test & replace the electronic controller Check resistance of solenoid, replace if faulty Check the filter, unblock or replace if blocked</p>
2	<p>The unit fills with water to low level and does not heat</p> <p>Thermal cut out has tripped Heating element failure Electronic controller failure Thermistor failure</p>	<p>Reset thermal cut out If the heating element is correctly wired, check the element resistance. Replace if broken Test & replace the electronic controller Replace thermistor</p>
3	<p>The unit boils continually</p> <p>Low atmospheric air pressure Electronic controller failure Thermistor failure</p>	<p>Recalibrate the unit Test & replace the electronic controller Replace thermistor</p>
4	<p>The unit overflows</p> <p>Incoming water pressure is too high Solenoid valve failure Level probe failure</p>	<p>Reduce incoming water pressure Turn the unit off. If water still flowing replace solenoid valve</p> <ul style="list-style-type: none"> • Clean the level probe • Check condense not bridging probe • Check angle of high level probe • Replace probe
Also refer to Error Code Table on Page 11		

SPECIFICATIONS

Rheem Boiling Water Unit	70103 70203	70105 70305	70207 70307	70210	70215	70225	70240
Storage capacity (Litres)	3	5	7.5	10	15	25	40
Max supply pressure ⁽¹⁾	1000kPa						
Min supply pressure	50kPa			75kPa		100kPa	
Cold water connection	RP½/15						
Overflow / vent connection	RP½/15						
Supply voltage	230 – 240 Volts AC 50Hz						
Electrical connection	10A 3 pin plug					Fixed wiring	
Element	1.8 kW	2.4 kW				3.6 kW	4.6 kW
Approx Weight Empty (kg)	6	8	9	10	15	17	19
Approx Weight Full (kg)	10	15	19	22	34	47	67
Heat Up Times							
Approx recovery (L/hr) ⁽²⁾	17.5	21	21	21	21	33	41
Approx heat time to full capacity (mins) ⁽²⁾	12	15	22	29	40	40	50

Note

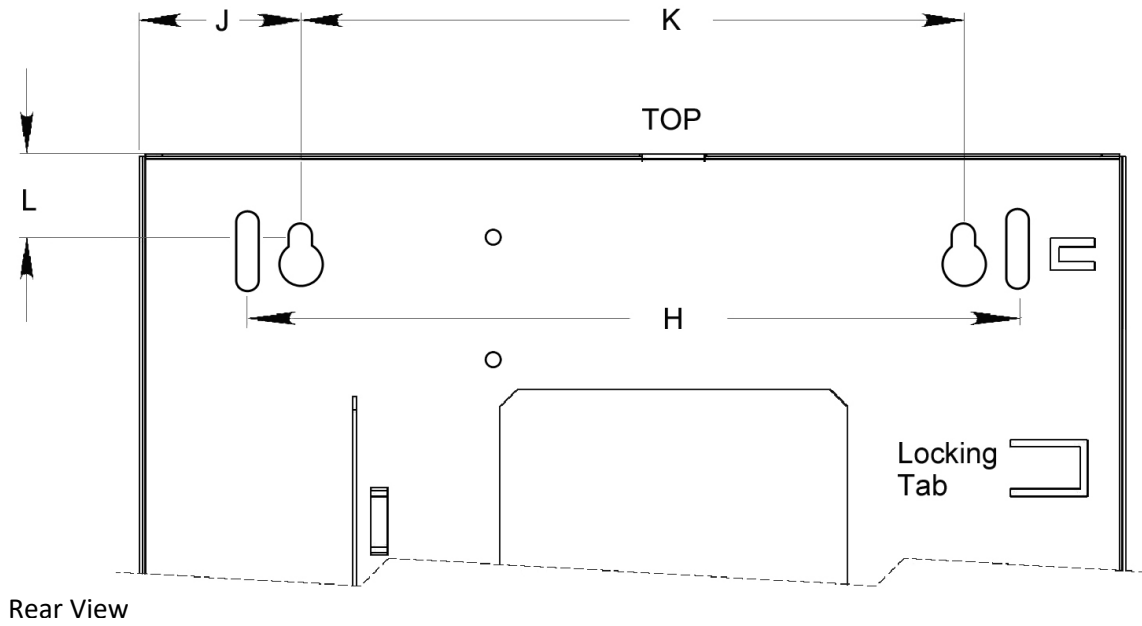
⁽¹⁾ If the supply pressure exceeds 1000kPa, a pressure limiting valve must be installed upstream of the Boiling Water Unit.

⁽²⁾ Recovery based on a 77°C rise.

In areas with poor water quality an additional filter should be installed. Optional accessory PN 317327.

A safety tap upgrade may be installed, which requires a three-step action to control dispensing;
702/703 series safety tap optional upgrade - PN 319068

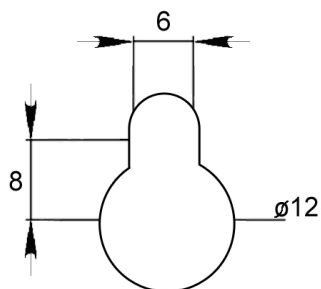
MOUNTING DIMENSIONS



Dimension (mm)	3 Litre	5 Litre	7.5 Litre	10 Litre	15 Litre	25 Litre	40 Litre
H	220	271	-	-	-	-	-
J	46	46	46	46	46	46	74
K	189	241	241	241	241	241	340
L	24	24	24	24	24	24	24

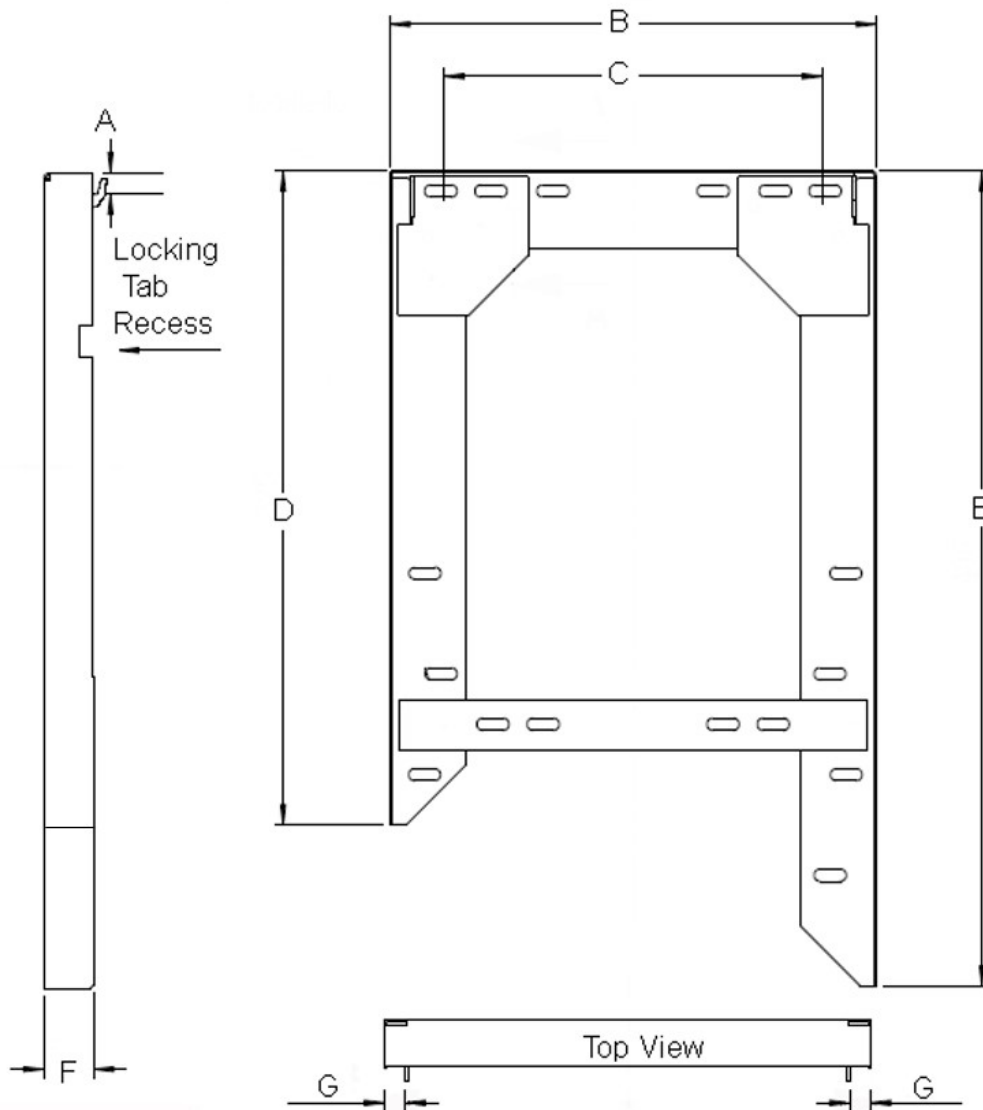
Note: - measurement 'H' is only applicable to 3 & 5 litre models for use with the supplied (701) /optional (703) wall plate. Slots do not appear on larger model back plates.

Mounting hole Dimensions all models. (mm)



WALL PLATE DIMENSIONS

701 & 703* SERIES, 3 & 5 LITRE MODELS

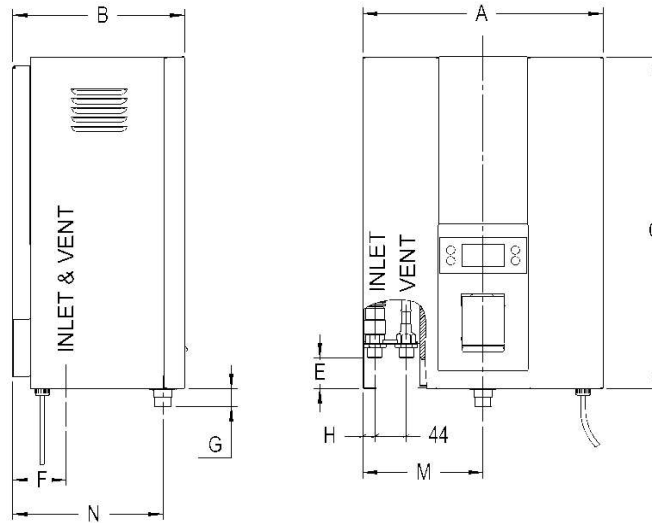


***Optional kits for 3L & 5L 703 models, included with 701 models**

Dimension (mm)	3 Litre	5 Litre
A	10.5	10.5
B	243	294
C	189	189
D	325	355
E	405	435
F	25	25
G	10.5	10.5
* Kit No:	318961	318962

DIMENSIONS

701 SERIES

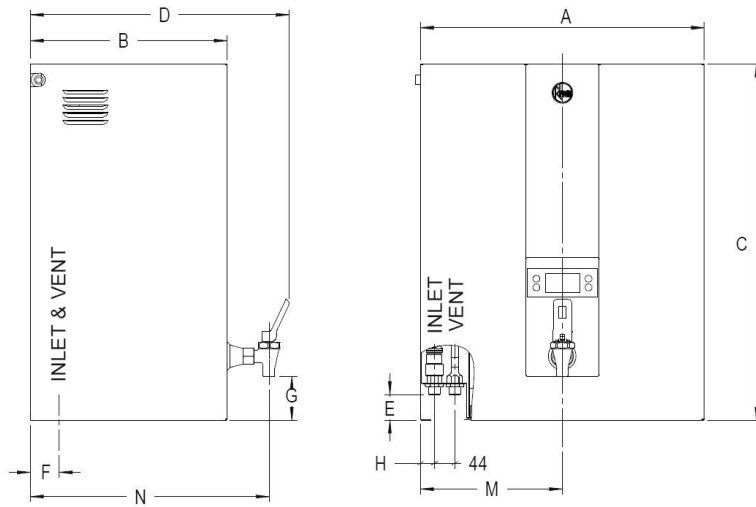


Dimension (mm)	3 Litre	5 Litre
A	285	334
B	209*	241*
C	435	465
D	-	-
E	65	65
F	70*	70*
G	33	33
H	20	20
M	142	167
N	174*	210*

* Includes 25mm for supplied backing plate.

DIMENSIONS

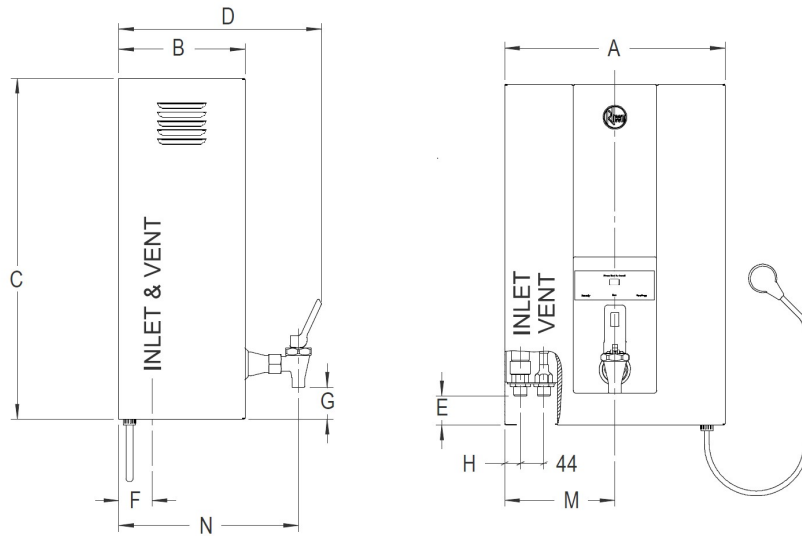
702 SERIES



Dimension (mm)	7.5 Litre	10 Litre	15 Litre	25 Litre	40 Litre
A	336	336	336	336	490
B	192	192	299	299	340
C	515	615	515	720	615
D	312	312	419	419	460
E	65	65	65	65	65
F	45	45	45	45	45
G	50	50	50	50	50
H	23	23	23	23	23
M	168	168	168	168	245
N	270	270	377	377	418

DIMENSIONS

703 SERIES



Dimension (mm)	3 Litre	5 Litre	7.5 Litre
A	283	336	336
B	160	192	192
C	435	465	515
D	280	312	312
E	65	65	65
F	45	45	45
G	50	50	50
H	23	23	23
M	142	168	168
N	238	270	270

NOTES

NOTES

RHEEM WARRANTY

Rheem Boiling Water Unit Warranty New Zealand & Australia

In addition to your legal rights, Rheem New Zealand Limited makes the following promise to the owner. We will repair or, if necessary, replace a defective Boiling Water Unit or part of it, which has failed due to faulty manufacture on the following terms and conditions:

1. THE RHEEM WARRANTY – GENERAL

- 1.1 This warranty is given by Rheem Australia Pty Limited ABN 21 098 823 511 of 1 Alan Street, Rydalmere New South Wales or Rheem New Zealand Limited of 475 Rosebank Road as applicable..
- 1.2 Rheem offer a trained and qualified national service network who will repair or replace components at the address of the Boiling Water Unit subject to the terms of the Rheem warranty. Australia Only:- Rheem Service, in addition can provide preventative maintenance and advice on the operation of your Boiling Water Unit. The Rheem Service contact number is available 7 days a week on Australia 131 031 with Service personnel available to take your call from 8am to 8pm daily (hours subject to change).
- 1.3 For details about this warranty, you can contact us in Australia on 131 031, or by email at warrantyenquiry@rheem.com.au (not for service bookings) or in New Zealand on 0800 657 335.
- 1.4 The terms of this warranty are set out in section 2 and apply to Boiling Water Units manufactured after 14th September 2015.
- 1.5 If a subsequent version of this warranty is published, the terms of that warranty will apply to Boiling Water Units manufactured after the date specified in the subsequent version.

2. TERMS OF THE RHEEM WARRANTY AND EXCLUSIONS TO IT

- 2.1 The decision of whether to repair or replace a faulty component is at Rheem's sole discretion.
- 2.2 Where a failed component or unit is replaced under this warranty, the balance of the original warranty period will remain effective. The replacement does not carry a new Rheem warranty.
- 2.3 Where the Boiling Water Unit is installed outside the boundaries of a metropolitan area as defined by Rheem or further than 25 km from either (Australia only) a regional Rheem branch office or an Accredited Rheem Service Agent's office, (New Zealand Only) a Rheem service centre, the cost of transport, insurance and travelling between the (Australia only) nearest branch office or Rheem Accredited Service Agent's office, or (New Zealand Only) a Rheem service centre and the installed site shall be the owner's responsibility.
- 2.4 Where the Boiling Water Unit is installed in a position that does not allow safe or ready access, the cost of that access, including the cost of additional materials handling and/or safety equipment, shall be the owner's responsibility. In other words, the cost of dismantling or removing cupboards, doors, walls, roofs or trap doors and the cost of any special equipment to bring the Boiling Water Unit to floor or ground level or to a serviceable position is not covered by this warranty.
- 2.5 This warranty only applies to the original and genuine Rheem Boiling Water Unit in its original installed location and any genuine Rheem replacement parts. It does not cover any plumbing or electrical parts supplied by the installer, that are not an integral part of the unit, e.g. pipe-work, pressure limiting valve, stop valves, non-return valves, electrical switches and fuses.
- 2.6 If the Boiling Water Unit is not sized to supply the hot water demand in accordance with the guidelines in Rheem's Boiling Water Unit literature, any resultant fault will not be covered by Rheem's warranty.
- 2.7 The Rheem warranty does not cover faults that are a result of:
 - a) Accidental damage to the Boiling Water Unit or any component (for example: (i) Acts of God such as floods, storms, fires, lightning strikes and the like; and (ii) third party acts or omissions).
 - b) Misuse or abnormal use of the Boiling Water Unit.
 - c) Installation not in accordance with the Owner's Guide and Installation Instructions or with relevant statutory and local requirements in the State or Territory in which the Boiling Water Unit is installed.
 - d) Connection at any time to a water supply that does not comply with the water supply guidelines as outlined in the Owner's Guide and Installation Instructions.
 - e) Repairs, attempts to repair or modifications to the Boiling Water Unit by a person other than Rheem Service or a Rheem Accredited Service Technician.
 - f) Faulty plumbing or faulty power supply.
 - g) Failure to maintain the Boiling Water Unit in accordance with the Owner's Guide and Installation Instructions.
 - h) Transport damage.
 - i) Fair wear and tear from adverse conditions (for example, corrosion).
 - j) Cosmetic defects.
- 2.8 If you require a call out and we find that the fault is not covered by the Rheem warranty, you are responsible for Australia Only:-our standard call out charge, New Zealand only, the cost of the call out charge. If you wish to have the relevant component repaired or replaced by Rheem that service will be at your cost.
- 2.9 Subject to any statutory provisions to the contrary, this warranty excludes any and all claims for damage to furniture, carpet, walls, foundations or any other consequential loss either directly or indirectly due to leakage from the Boiling Water Unit, or due to leakage from fittings and/ or pipe work of metal, plastic or other materials caused by water temperature, workmanship or other modes of failure.

RHEEM WARRANTY

Rheem Boiling Water Unit Warranty New Zealand & Australia

3. WHAT IS COVERED BY THE RHEEM WARRANTY FOR THE BOILING WATER UNIT DETAILED IN THIS DOCUMENT

3.1 Rheem will repair or replace a faulty component of your Boiling Water Unit if it fails to operate in accordance with its specifications as follows:

This Rheem warranty covers domestic, commercial and industrial installations.	Warranty Period (in years)	Warranty Cover
What components are covered	The period from date of installation, in which the fault must appear, in order to be covered	What coverage you receive
All components	2	Repair or replacement of failed component, or if necessary, replacement of the complete unit, free of charge, including labour.
Inner Tank Only	>2 - 5	Repair or replacement of the complete unit, free of charge. Installation and labour cost are the responsibility of the owner.

RHEEM WARRANTY

Rheem Boiling Water Unit Warranty New Zealand & Australia

4. ENTITLEMENT TO MAKE A CLAIM UNDER THIS WARRANTY

- 4.1 To be entitled to make a claim under this warranty you need to:
- Be the owner of the Boiling Water Unit or have consent of the owner to act on their behalf
 - Contact Rheem Service without undue delay after detection of the defect and, in any event, within the applicable warranty period.
 - Return the faulty component or unit as directed by the Rheem Service Department.
- 4.2 You are **not** entitled to make a claim under this warranty if your Boiling Water Unit:
- Does not have its original serial numbers or rating labels.
 - Is not installed in Australia or New Zealand.

5. HOW TO MAKE A CLAIM UNDER THIS WARRANTY

- 5.1 If you wish to make a claim under this warranty, you need to:
- Contact Rheem on Australia 131 031 or Rheem in New Zealand on 0800 657 335 and provide owner's details, address of the Boiling Water Unit, a contact number and date of installation of the Boiling Water Unit or if that's unavailable, the date of manufacture and serial number (from the rating label on the Boiling Water Unit)
 - (Australia Only) Rheem will arrange for the Boiling Water Unit to be tested and assessed on-site.
 - (New Zealand Only) A Rheem service centre will arrange for the Boiling Water Unit to be tested and assessed on-site.
 - If Rheem determines that you have a valid warranty claim, Rheem will repair or replace the Boiling Water Unit in accordance with this warranty
- 5.2 Any expenses incurred in the making of a claim under this warranty will be borne by you.

6. THE AUSTRALIAN CONSUMER LAW (AUSTRALIA ONLY)

- 6.1 Our goods come with guarantees that cannot be excluded under the *Australian Consumer Law*. You are entitled to a replacement or refund for a major failure and for compensation for any other reasonably foreseeable loss or damage. You are also entitled to have the goods repaired or replaced if the goods fail to be of acceptable quality and the failure does not amount to a major failure.
- 6.2 The Rheem warranty (set out above) is in addition to any rights and remedies that you may have under the *Australian Consumer Law*.

RHEEM
www.rheem.com.au
www.rheem.co.nz

FOR SERVICE TELEPHONE
131 031 AUSTRALIA
0800 657 335 NEW ZEALAND