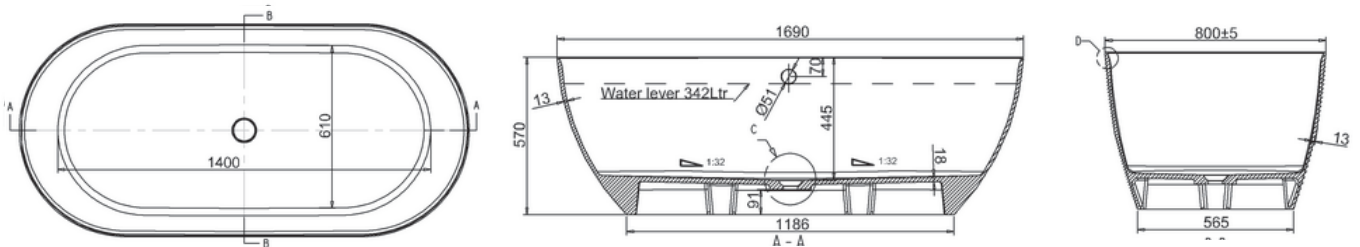


325.A.21128

FORM CLEARSTONE

CLEARSTONE BATH W 1690 H 570 D 800

vcboc
FOR BATHROOMS



325.A.21128

- Dimensions - W 1690 H 570 D 800
- Sedimentary stone composite with Gibbsite mineral filler
- Product weight - 84kg
- Displaced Capacity - 272 litres (bath's capacity less 70 litres)
- Average thickness throughout the bath is 10mm
- Not suitable for rim-mounted taps
- Bath supplied without an overflow.
- Template for overflow drilling is attached to the bath for easy installation on site.
- Optional overflow is an exposed, floor draining overflow in chrome plated brass finish - code CW11.

325.A.21128 - GLOSS

FORM NEW

CLEAR STONE BATH - Installation Instructions



Natural Stone Authentication

Congratulations on choosing a Natural Stone product.

Our products contain natural stone being a natural product and there may be very slight variations in the finish in certain light conditions. This adds to the uniqueness of our products with each one having its own individual character, a welcome rarity these days. Please use a mild abrasive cleaner such as Brasso initially on very rare occasions to restore the lustre of your product.

'The natural stone is porous like marble and certain types of cleaners and bath oils may stain the natural stone and therefore is a characteristic of the material. Should you decide to use such products we strongly recommend the product is fully cleaned and rinsed after use as these types of stains are not covered within the manufacturer's warranty'.

For further information please visit the website for care maintenance of your special product.

www.clearwaterbaths.com

www.burlingtonbathrooms.com

Care & Repair

Cosmetic repairs to your Natural Stone bath or basin

Should you be unfortunate enough to suffer cosmetic damage to your bath or basin during installation or accidentally at any time, these can usually be rectified quite easily by using a fine grade abrasive 1500 WD waterproof paper. Lightly rub the affected area by keeping the area treated to a minimum until the mark is removed, then polish a neutral car colour restorer or a household metal polish to restore the lustre.

Other marks on your bath or basin both internally or externally can generally be removed with a non abrasive bathroom cleaner or mild detergent. Should this not be the case then please revert to colour restorer or household metal polish.

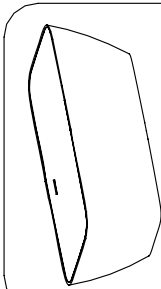
Ongoing Care Of Your Bath Or Basin

Use only non abrasive cleaners as abrasives over a period of time will remove the lustre from your bath or basin.

Warning

Never use cleaners / bleach products specifically manufactured for WC bowl cleaning as they may damage your bath or basin. In addition to these we strongly recommend that applying hair colouring is also not used over the bath as it may de-colour the natural stone.

Parts supplied:



1x



4x

It is important to use the Contoured Washer provided with the Bath Waste to prevent overtightening and voiding the warranty

Important

- Please unwrap the bath and check it carefully to ensure it has not been damaged in handling or transport.
 - It is the installers responsibility to ENSURE that there is no damage or faults on the bath prior to the installation.
 - Notify the merchant immediately of any concerns and do NOT install the bath
 - This bath MUST be installed on a flat level surface on all four sides or it may crack when fully filled
 - Store the bath in a safe place in its cardboard box whilst on site to avoid damage
 - The bath waste installation must be carried out by a licensed NZ Plumber in accordance with the NZ Building Regulations
 - This product requires at least a two person lift at all times—use proper lifting techniques.
 - This Stone Bath has a Five Year Warranty. The Bath waste is limited to twelve months.
- ⚠ Do NOT overtighten the waste as this may cause long term damage to the bath. We recommend to use a torque wrench to tighten the waste by using a torque force between 25 Nm and 50Nm.**

Care and Maintenance

Repairing a scratch: If any scratches occur during installation these can be removed by rubbing with a 1500+ grit waterproof abrasive paper and water. Re-polish the surface afterwards using a neutral automotive colour restorer or household metal polish. For best results limit sanding to the smallest possible area around the scratch.

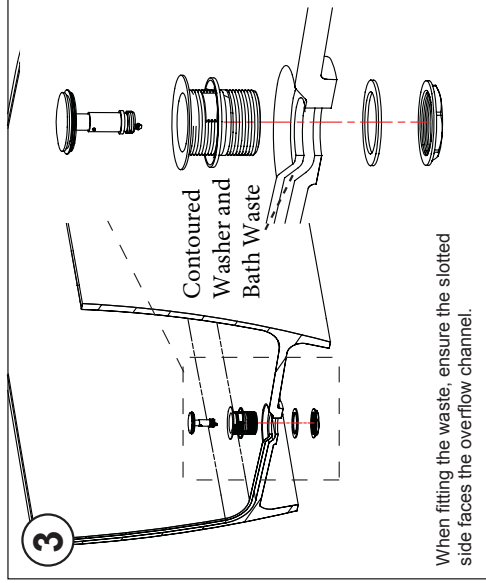
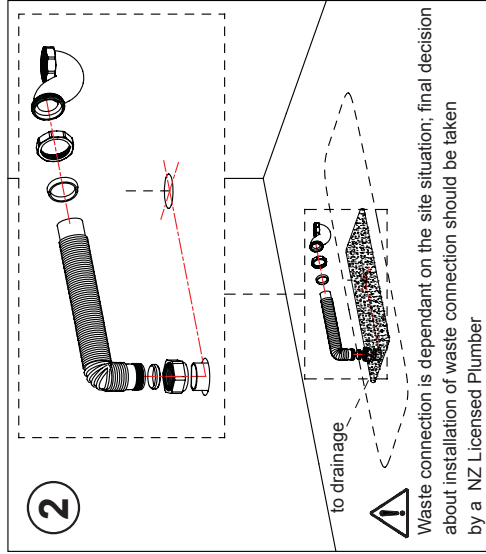
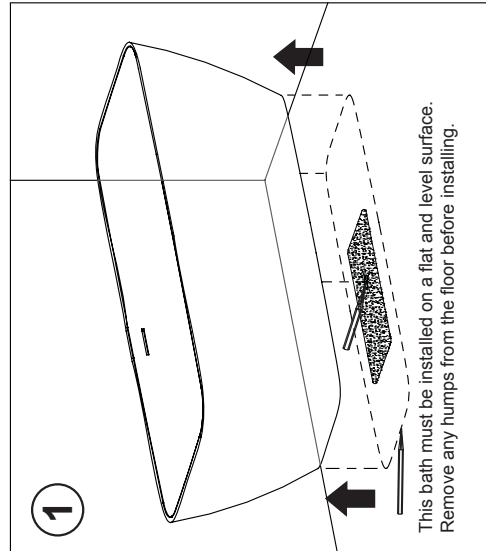
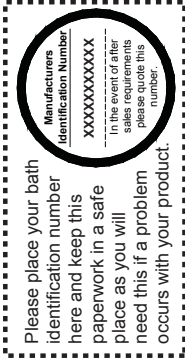
It may be possible to polish very fine scratches away without using abrasive papers: scrubbing gently with a soft brush or plastic pad (not metal scouring pad) and a mildly abrasive cream cleaner. Afterwards scrub the whole area with plenty of clean water and re-polish as before.

Everyday cleaning

We recommend a non-abrasive bathroom cleaner.

Warning

Never use cleaners / bleach products specifically manufactured for WC bowl cleaning as they may damage your bath. In addition to these we strongly recommend that applying hair colouring is also not used over the bath as it may de-colour the natural stone.



325.A.21128 - GLOSS

FORM NEW

CLEAR STONE BATH - Installation Instructions

vcboc
FOR BATHROOMS

