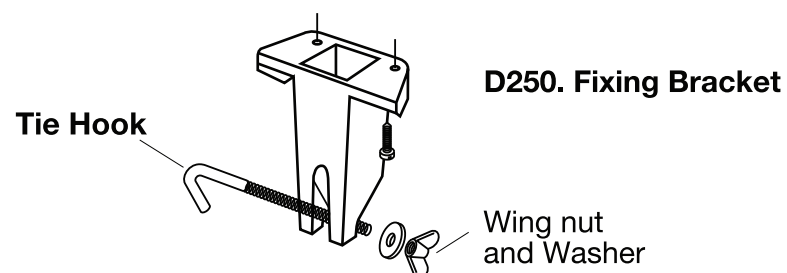
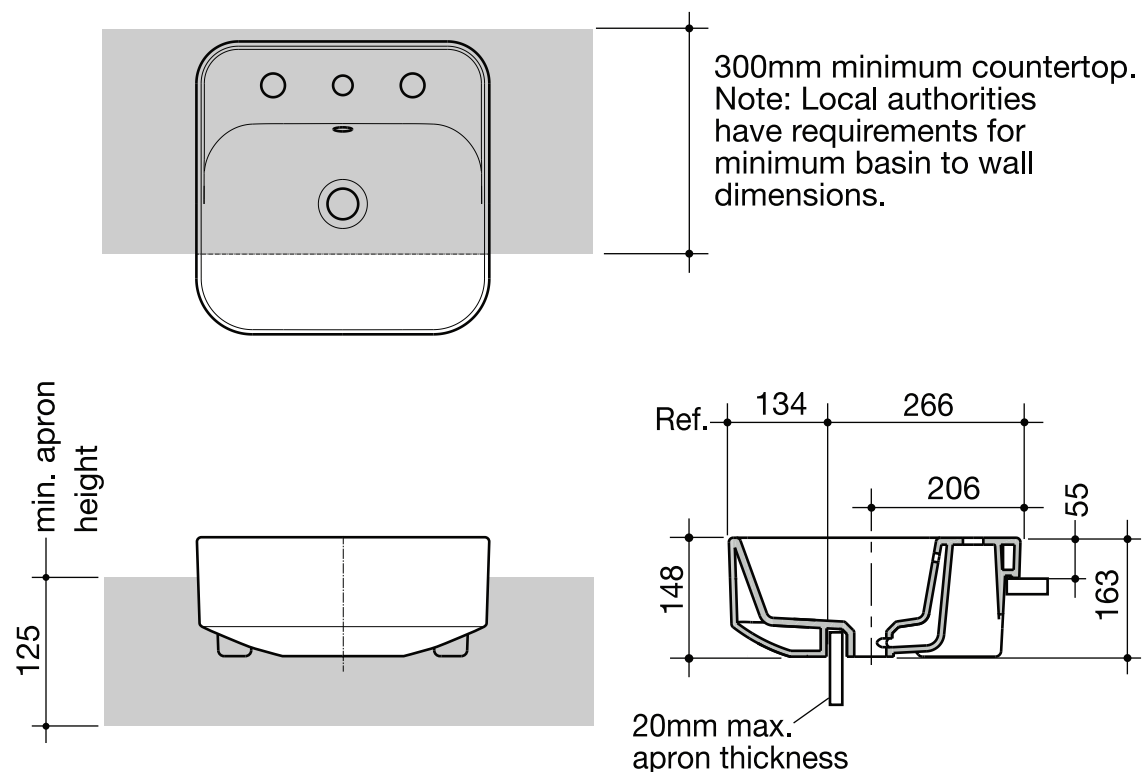


C L △ R K

# Clark Square Semi Recessed 400 Basin with Tap Landing



## PLUMBERS INSTALLATION INSTRUCTIONS

- 1- Fold template and place over countertop and apron.
- 2- Attach template cut-out guide to countertop with adhesive tape or otherwise transfer cut-out line to countertop.
- 3- Cut out countertop with care.
- 4- Fit taps and waste assembly to basin.
- 5- Apply a layer of acetic cured silicone sealant around the sealing rim and apron.

**Important: do not use epoxy sealants.**

- 6- Align and secure the brackets to the underside of countertop in the corner positions as shown.
- 7- Attach the Tie Hooks to the holes in the basin and lower into opening. Secure from underneath.
- 8- Connect waste assembly to trap and plumb taps

### IMPORTANT :

**EPOXY TYPE GLUES MUST NOT BE USED.**

### NOTE :

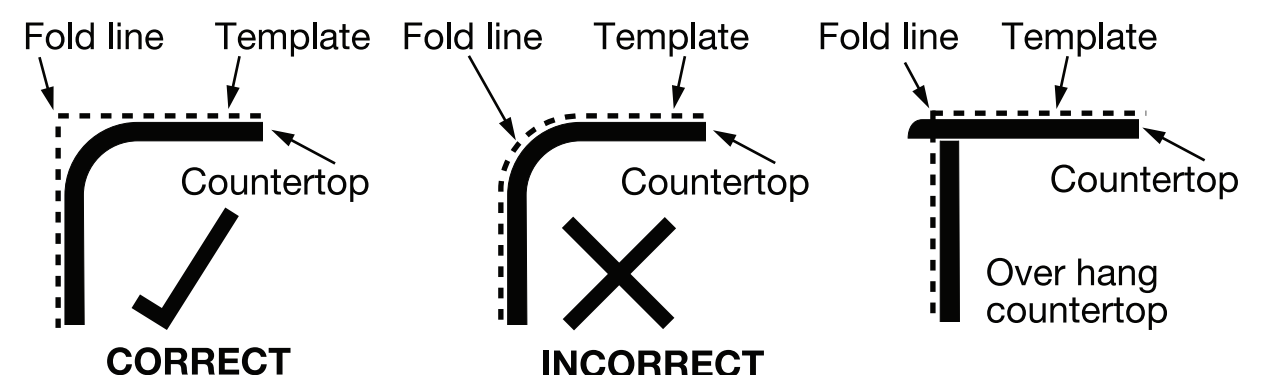
**FOR GRANITE OR MARBLE TOPS, FIX TWO 20MM THICK WOODEN BLOCKS IN THE BRACKET POSITION ON THE UNDERSIDE OF THE GRANITE/MARBLE WITH FAST SETTING TWO PART EPOXY. WHEN FULLY SET SCREW THE BRACKETS INTO POSITION ON THE WOODEN BLOCKS. OTHER SUITABLE FASTENING SYSTEMS MAYBE USED.**

### IMPORTANT-

**PLEASE NOTE: THE TEMPLATE FOLD LINE BETWEEN THE HORIZONTAL AND VERTICAL SURFACES MUST REMAIN AS A SHARP RIGHT ANGLE. ROLLING THE TEMPLATE OVER A RADIUS MAY CAUSE THE CUT OUT TO BE TOO BIG FOR THE BASIN**

### IMPORTANT-

**PLEASE NOTE: THE TEMPLATE FOLD LINE BETWEEN THE HORIZONTAL AND VERTICAL SURFACE MUST REMAIN AS A SHARP RIGHT ANGLE. ROLLING THE TEMPLATE OVER A RADIUS MAY CAUSE THE CUT OUT TO BE TOO BIG FOR THE BASIN.**



For over hang vanity situation, position the template fold line on the vanity top and apron as detailed.