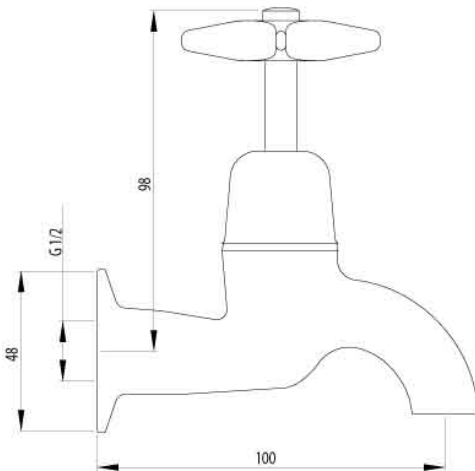


KOWHAI TUB TAP



CONSTRUCTION: Brass body

CLASSIFICATION: Suitable for **all pressure** systems

INLET CONNECTIONS: 1/2" BSP Female

WORKING PRESSURE: 10 - 500kPa

DIMENSIONS FOR FITTING: see installation manual

OPERATING TEMPERATURE: 5 °C - 80 °C

- Solid metal handle.
- Standard non-rising headworks.
- o star WELS rated on mains pressure (28.0 l/pm)
- 2 star WELS rated on low pressure (10.5 l/pm)

48

Chrome

<http://www.methven.com/nz/kowhai-tub-tap>