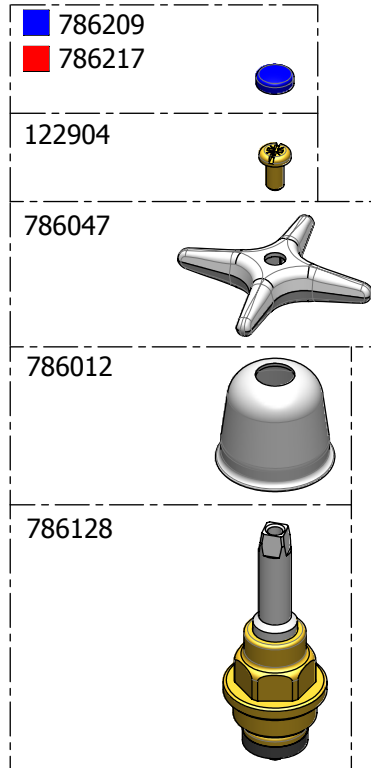
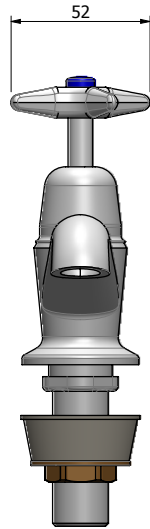
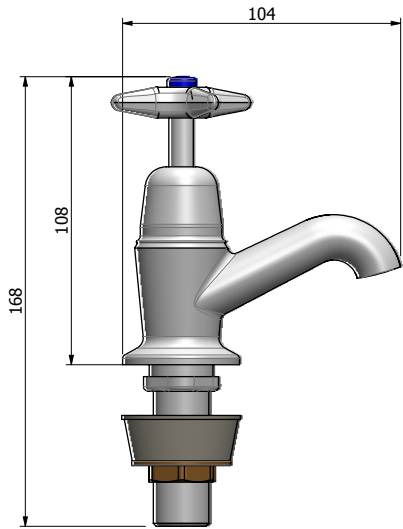


REV	DESCRIPTION	DATE	BY	ECA
-----	-------------	------	----	-----



Process Control Notes:
 □ = Significant Characteristics
 □ = Customer Significant Features
 ⚠ = Safety Critical Features
 All identified features are required to be produced with a process Cpk ≥ 1.33

Dimensions in mm
 Scale: 1:2
DO NOT SCALE

TOLERANCES UNLESS SPECIFIED OTHERWISE	
LINEAR 0 ± 0.4 0.0 ± 0.2 0.00 ± 0.1	ANGLES ± 3° SURFACE FINISH: 1.6/√
CONCENTRICITY © 0.1 ALL Ø ABOUT COMMON CENTRELINE	

DRAWN: C Bauer 15/06/2016	CHECKED: Select checked by
MATERIAL: Refer parts	MASS: 624 g
COLOUR: Specify	FINISH: Specify
DESCRIPTION: 62 x 15mm KOWHAI BASIN TAP CP - SP	

mETHVEN LIMITED Private Bag 19996, Auckland 1746 447 Rosebank Road, Avondale, Auckland 1026 PH (+649) 829-0429 FAX (+649) 829-0439	Sheet 1 of 1
	Sheet size A3
DWG. No: 62	REV: A

METHVEN_PRODUCT_TAP_04