

Features

- Solid metal construction
- Brass construction
- DZR brass construction
- Leak-free ceramic disc valve(s)
- Durable KOHLER finishes resist corrosion and tarnishing
- Flexible G1/2" supply hoses for easy installation
- Concealed, easy-clean aerator and key
- Pin handle
- 129 mm spout reach (77958T-4AND)
- 178 mm spout reach (77959T-4AND)
- 178 mm spout reach (77960T-4AND)
- Metal mounting hardware assures a secure installation
- Includes water-tight seal plate allowing for sealant free installation
- Robust, easy-access mounting hardware assures a secure installation and hassle-free maintenance

SINGLE LEVER BASIN MIXER

77958T-4AND

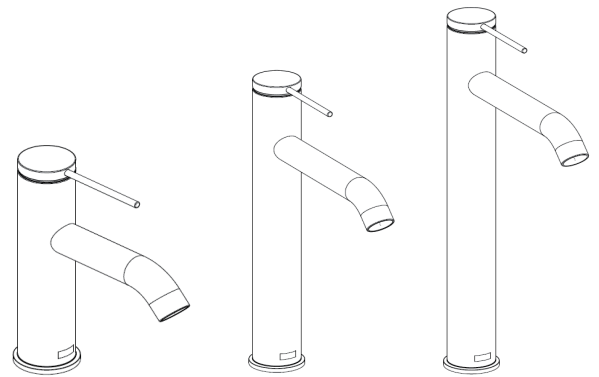
77959T-4AND

77960T-4AND

Codes/Applicable Standards

Specified model meets or exceeds the following

- AS NZS 3718-2005
- AS NZS 6400-2016
- (77958T-4AND: WELS 5 Star @ 6L/m, registration number: T33166)
- (77959T-4AND: WELS 5 Star @ 6L/m, registration number: T33165)
- (77960T-4AND: WELS 5 Star @ 6L/m, registration number: T33164)



Installation Notes

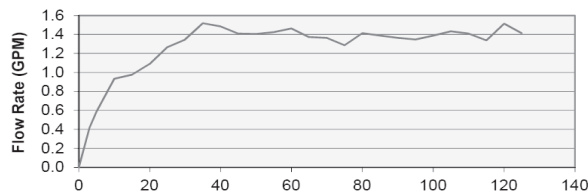
Install this product according to the installation guide.

Specified Models

SKU	Description	Color/Finish
77958T-4AND	Components Single Lever Basin Mixer	CP: Polished Chrome, BN: Brushed Nickel, BL: Matte Black*
77959T-4AND	Components Tall Single Lever Basin Mixer	CP: Polished Chrome, BN: Brushed Nickel, BL: Matte Black*
77960T-4AND	Components Super Tall Single Lever Basin Mixer	CP: Polished Chrome, BN: Brushed Nickel, BL: Matte Black*

Note: For a full range of color finishes in your market please contact your local Kohler representative.

*BL launch date to be announced, CP & BN available now



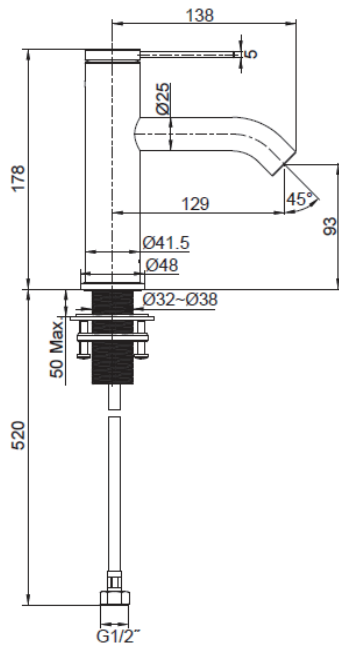
Inlet Pressure (PSI)

Flow Curve

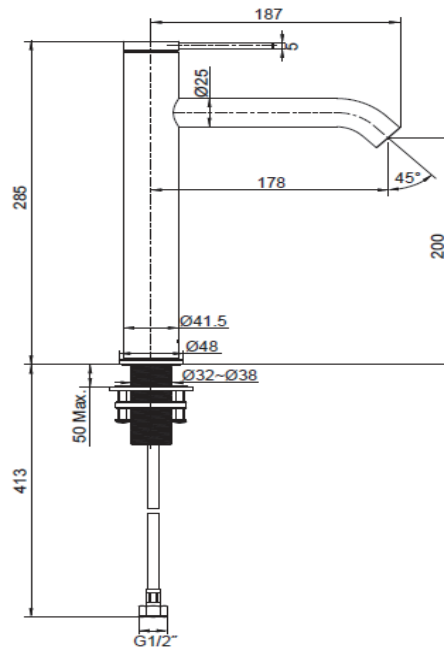
Note: Flow rates are approximate (1gallon = 3.785liters, 1 bar = 14.5psi)

Product Diagram

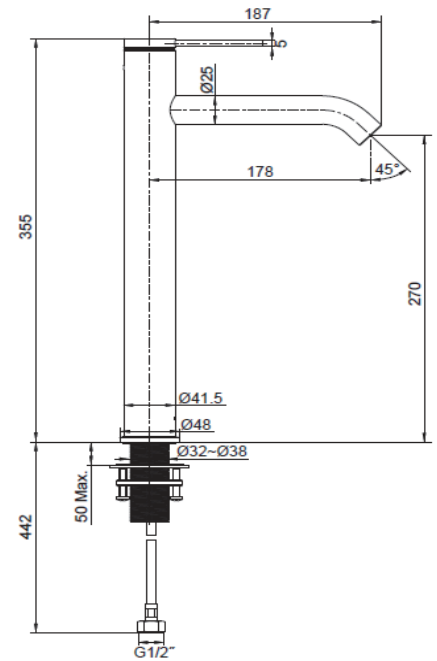
Dimensions are approximate
unit: mm



77958T-4AND



77959-4AND



77960-4AND