

SP90D2FL/SP90D2FLM

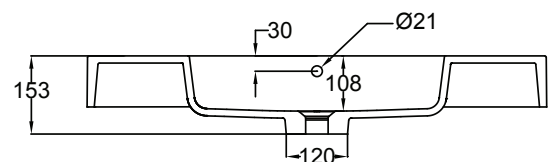
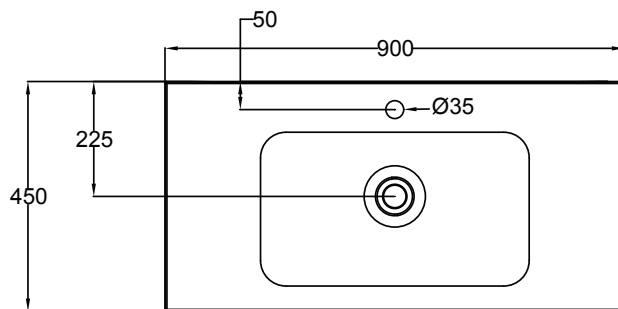
# SPLASH

900, 2 DRAWER

vcboc  
FOR BATHROOMS



Splash Basin

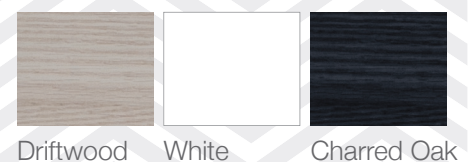


NB: Drawings indicate the technical measurements only and is not a reflection of how the unit will look.

## SP90D2FL/SP90D2FLM SPLASH 900, 2 DRAWER

- Dimensions - W 900mm H 900mm D 450mm
- Polymarble top. Polymarble is a composite product and is very durable.
- Also available as a wall unit.
- Paint - The paint used on our products is polyurethane or UV based. It is five times harder and more durable than lacquer finishes. White only.
- TIMBER EFFECT (Melamine)- Our woodgrain melamine is a low pressure laminate. Two colours are available Charred Oak and Driftwood.

### FINISHES



Driftwood

White

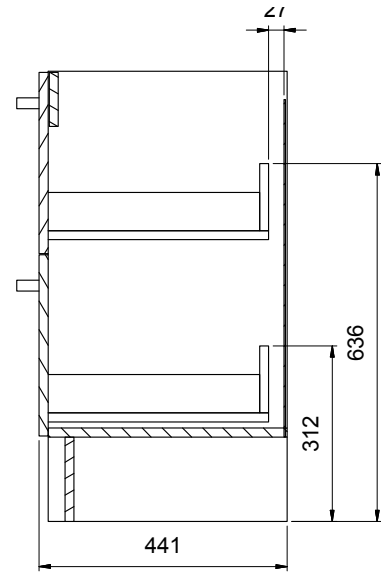
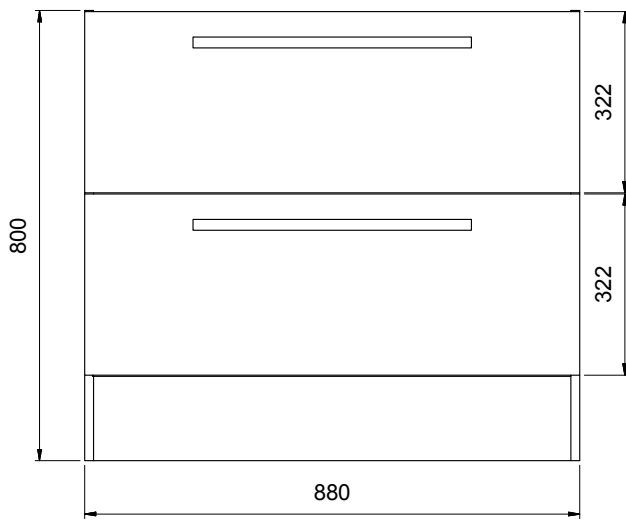
Charred Oak

SP90D2FL/SP90D2FLM  
**SPLASH**  
900, 2 DRAWER

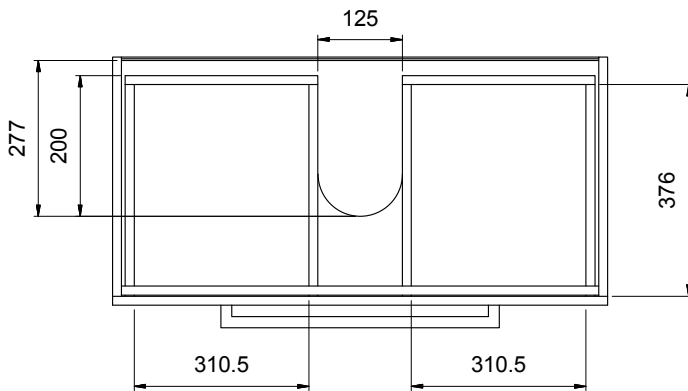


Splash Cabinet

---



SPLASH Floor Drawer Units Side View



SP90D2FL Top View Showing Drawers

NB: Drawings indicate the technical measurements only and is not a reflection of how the unit will look.