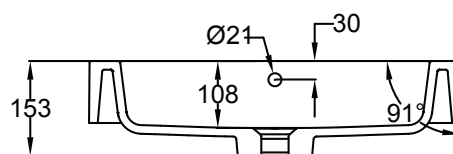
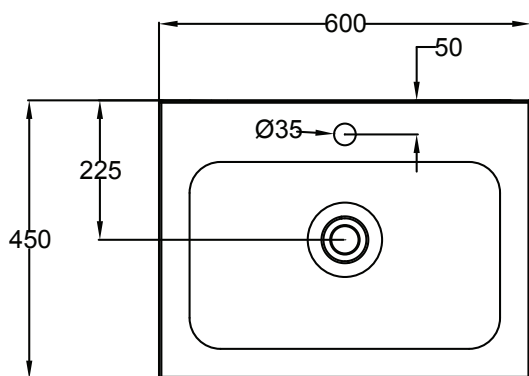


SP60DWH/SP60DWHM
SPLASH
 600, 1 DRAWER

vcboc
 F O R B A T H R O O M S



Splash Basin



NB: Drawings indicate the technical measurements only and is not a reflection of how the unit will look.

SP60DWH/SP60DWHM
SPLASH 600, 1 DRAWER

- Dimensions - W 600mm H 425mm D 450mm
- Polymarble top. Polymarble is a composite product and is very durable.
- Paint - The paint used on our products is polyurethane or UV based. It is five times harder and more durable than lacquer finishes. White only.
- TIMBER EFFECT (Melamine)- Our woodgrain melamine is a low pressure laminate. Two colours are available Charred Oak and Driftwood.

FINISHES



Driftwood



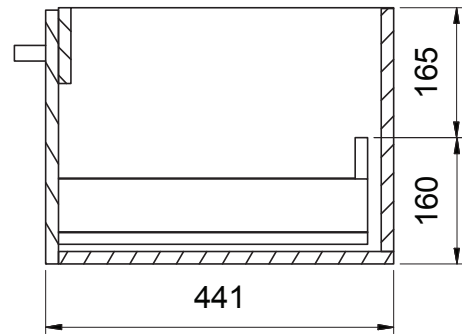
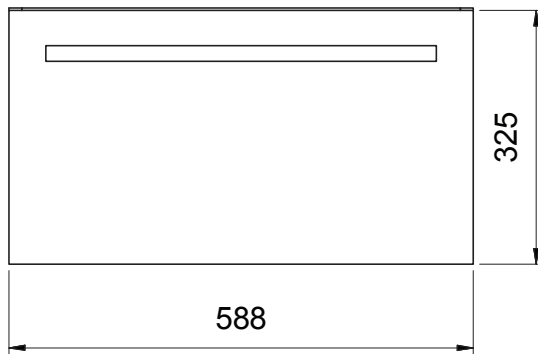
White



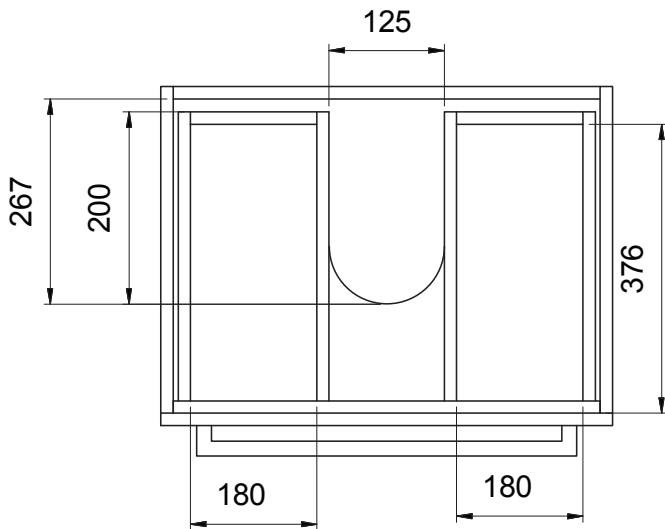
Charred Oak

SP60DWH/SP60DWHM
SPLASH
600, 1 DRAWER

Splash Cabinet



SPLASH Drawer Wall Units Side View



SP60DWH Top View showing Drawers