

SP180D2WHDB/SP180D2WHDBM

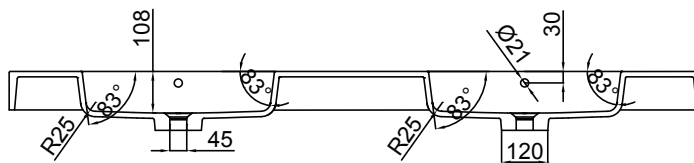
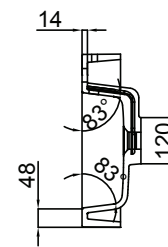
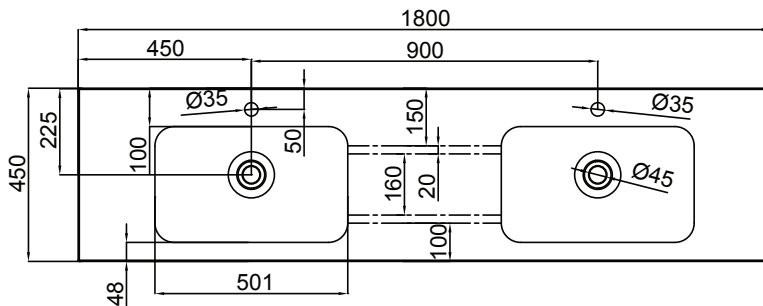
SPLASH

1800, 2 DRAWER (SIDE BY SIDE), DOUBLE BOWL

vcboc
FOR BATHROOMS



Splash Basin

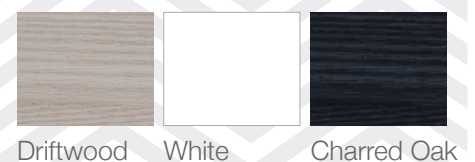


NB: Drawings indicate the technical measurements only and is not a reflection of how the unit will look.

SP180D2WH/SP180D2WHM SPLASH 1800, 2 DRAWER (SIDE BY SIDE), DOUBLE BOWL

- Dimensions - W 1800mm H 425mm D 450mm
- Polymarble top. Polymarble is a composite product and is very durable.
- Paint - The paint used on our products is polyurethane or UV based. It is five times harder and more durable than lacquer finishes. White only.
- TIMBER EFFECT (Melamine)- Our woodgrain melamine is a low pressure laminate. Two colours are available Charred Oak and Driftwood.

FINISHES



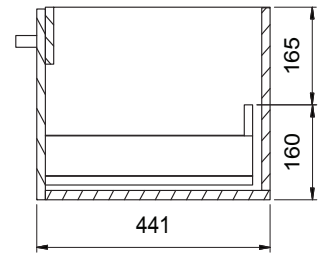
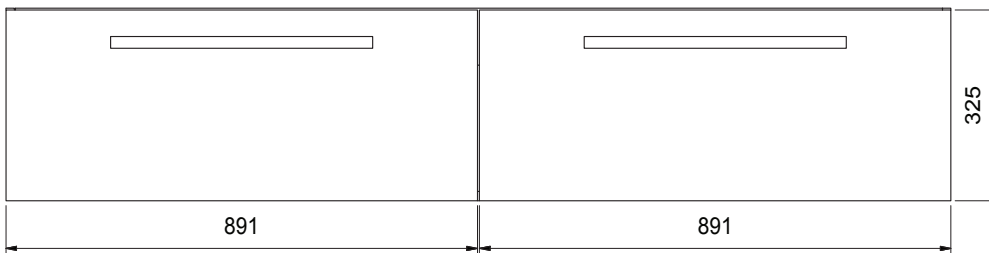
SP180D2WHDB/SP180D2WHDBM

SPLASH

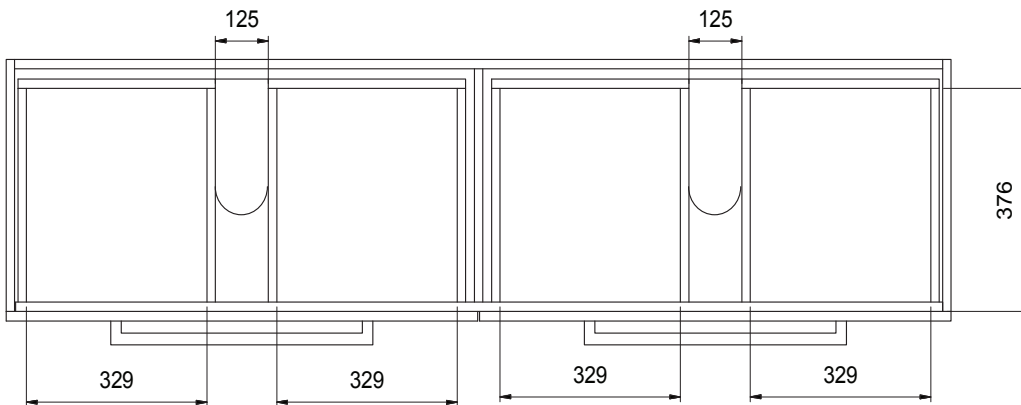
1800, 2 DRAWER (SIDE BY SIDE), DOUBLE BOWL

vcboc
FOR BATHROOMS

Splash Cabinet



SPLASH Drawer Wall Units Side View



SP180D2WHDB Top View showing Drawers

NB: Drawings indicate the technical measurements only and is not a reflection of how the unit will look.