

SP120DWH/SP120DWHM

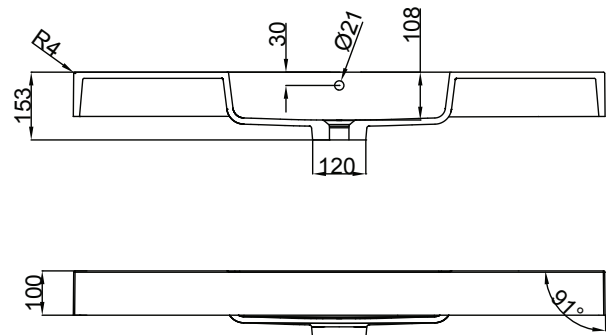
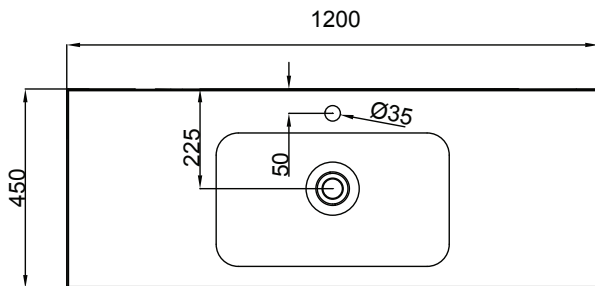
SPLASH

1200, 1 DRAWER, WALL-HUNG

vcboc
FOR BATHROOMS



Splash Basin



NB: Drawings indicate the technical measurements only and is not a reflection of how the unit will look.

SP120DWH/SP120DWHM SPLASH 1200, 1 DRAWER

- Dimensions - W 1200mm H 425mm D 450mm
- Polymarble top. Polymarble is a composite product and is very durable.
- Paint - The paint used on our products is polyurethane or UV based. It is five times harder and more durable than lacquer finishes. White only.
- TIMBER EFFECT (Melamine)- Our woodgrain melamine is a low pressure laminate. Two colours are available Charred Oak and Driftwood.

FINISHES



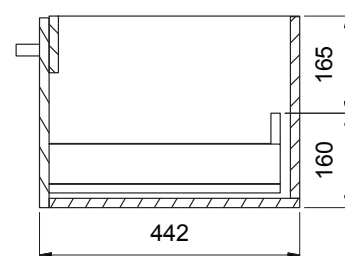
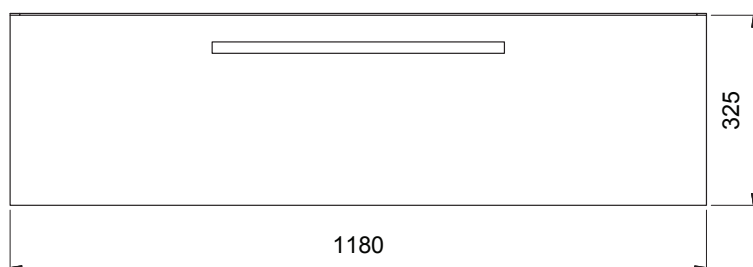
SP120DWH/SP120DWHM

SPLASH

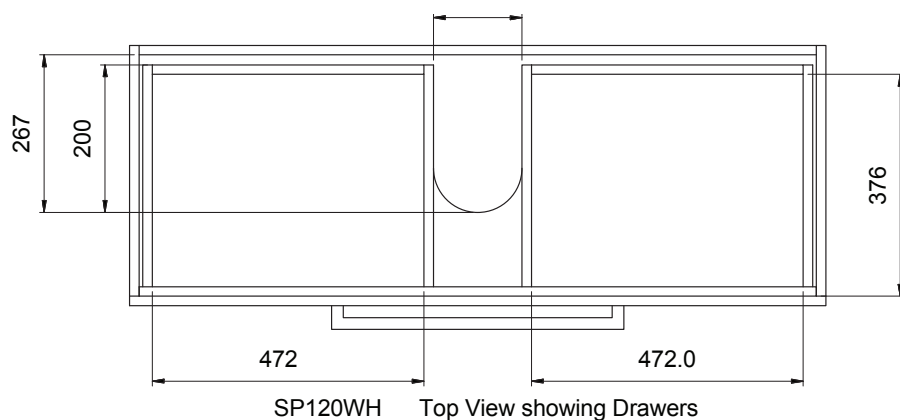
1200, 1 DRAWER

vcboc
FOR BATHROOMS

Splash Cabinet



SPLASH Drawer Wall Units Side View



SP120WH Top View showing Drawers

NB: Drawings indicate the technical measurements only and is not a reflection of how the unit will look.