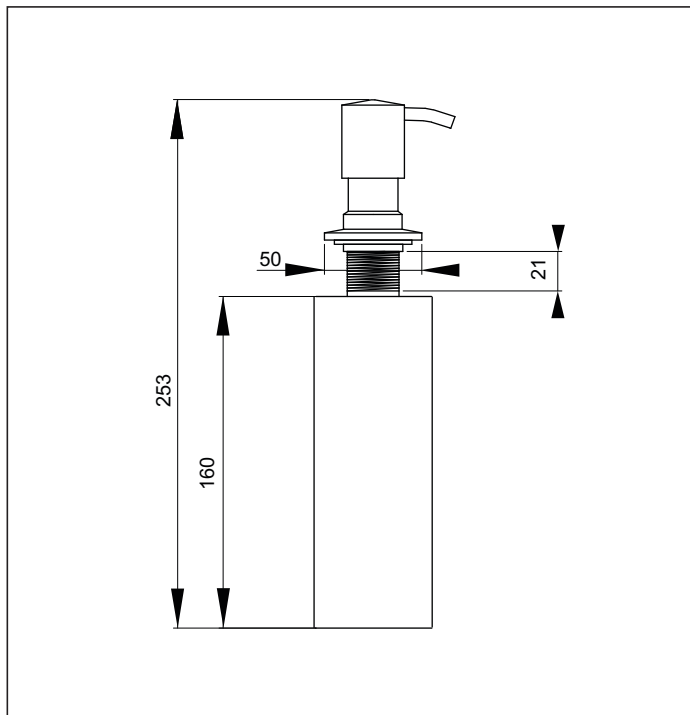


# Rubik

## Soap/Detergent Dispenser



**Code: A SDD**

**Finish:** Chrome

**Hole Size:** Minimum: 27mm  
Maximum: 40mm

**Max Bench Thickness:** 23mm without extension

**Note:**

Pump lifts out to allow refilling from above

For extra thick benches, pump mounting can be extended by insertion of 1/2" B.S.P. male/female nipple. (Unscrew brass and chrome sections and insert nipple of required length, then reassemble)

**5 year warranty**

**aquatica**

**KIWI OWNED COMPANY**

**NZ** • DESIGNED • ASSEMBLED • TESTED

**Aquatica NZ Limited**  
9 Saunders Place,  
Avondale, Auckland.  
Tel: 09-828 2068,  
Fax: 09-828 2069  
Email: [info@aquatica.co.nz](mailto:info@aquatica.co.nz)  
or visit our website:  
[www.aquatica.co.nz](http://www.aquatica.co.nz)  
© copyright Aquatica 2019