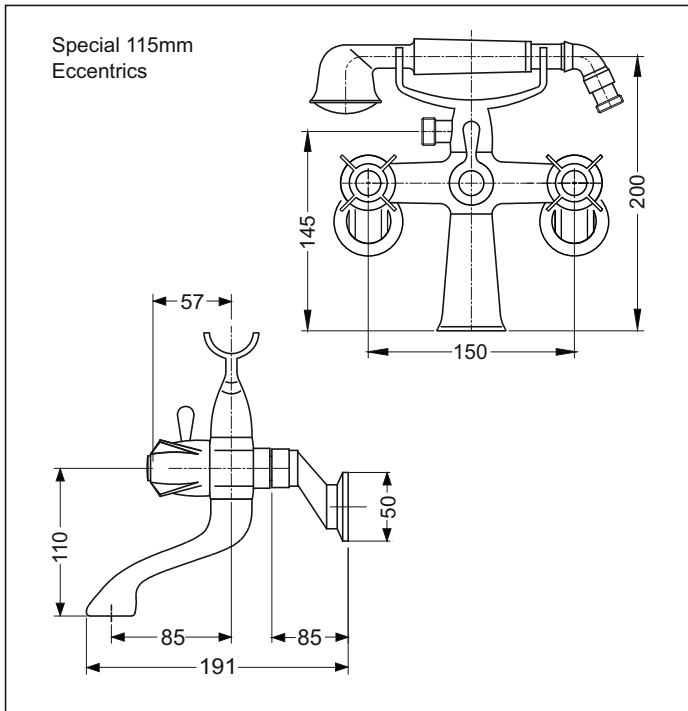


Angelo

Bath Set with Telephone Handshower

aquatica



Code: AN BSETTHS15 15mm inlet
AN BSETTHS20 20mm inlet

Finish: Chrome

Mechanism: Standard European cast (Ceramic mechanisms available on request)

Spout: Cast. Fixed

Body: Centre to centre = 150mm

Handle: 4 winged, chrome plated, die cast zinc

Water Inlet: 1/2" or 3/4" BSP female thread via eccentrics (depending on code)

Water Outlet: Aerator at spout. Single spray head for handshower

Divertor: Manual

Mounting: Via eccentrics

Installation holes diameter: 22 or 26mm minimum to 45mm maximum

Hand Shower: Single spray metal head with metal hose
(internal diameter = 5.5mm length = 1.4m)

Eccentrics: Will connect the water outlets over the following ranges:

Standard (150 ± 54) = 96 to 204mm

Special (150 ± 115) = 35 to 265mm

Eccentric height (reach from wall): Standard = 50mm Special = 80mm

Flow Control: PCW9 for hand shower

Features: Cradle for hand shower (Optional wall support available)

Pressure Range: 20 - 600 kPa

Water Flow: Max hot water flow @ 35kPa

Spout = 20.8 l/min

Hand shower = 6.1 l/min

Suitable for low/unequal & mains pressure systems

Recommended Operational Pressure Range: 35 - 600 kPa
Maximum Operating Temp: 80°C Never to Exceed: 1000 kPa

WELS rating only applies to handshower



KIWI OWNED COMPANY

NZ • DESIGNED
• ASSEMBLED
• TESTED

Aquatica NZ Limited

9 Saunders Place,
Avondale, Auckland.
Tel: 09-828 2068,
Fax: 09-828 2069
Email: info@aquatica.co.nz
or visit our website:
www.aquatica.co.nz

© copyright Aquatica 2019