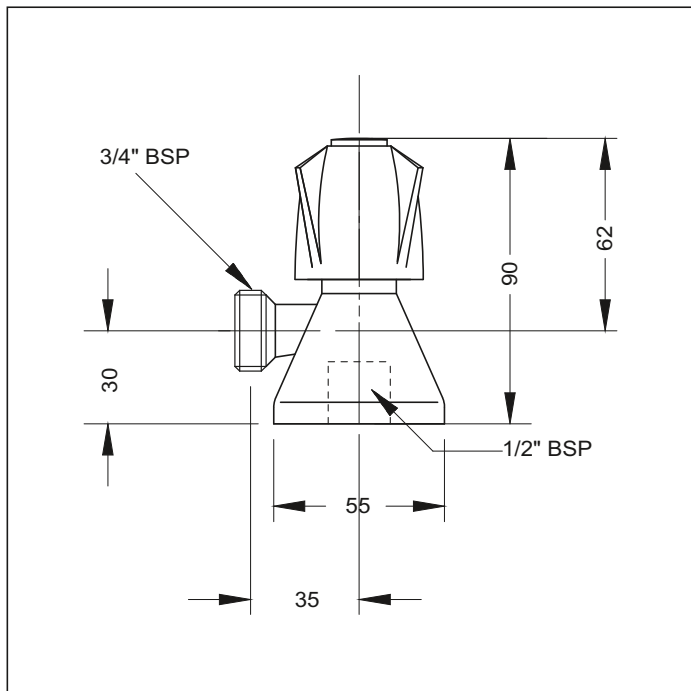


# Angelo

## Laundry Taps



**Code:** AN LT

**Finish:** Chrome

**Sold as a pair**

**Mechanism:** Standard European cast (Ceramic mechanisms available on request)

**Body:** Chrome plated, swaged brass

**Handle:** 4 winged, chrome plated, die cast zinc

**Water Inlet:** 1/2" BSP female

**Water Outlet:** 3/4" BSP male

**Mounting:** Screwed onto 1/2" BSP pipe  
Installation hole: 22 - 42mm  
Base seal: O-ring 42 X 2mm

**Flow Control:** Nil or only by tap adjustment

**Pressure Range:** 20 - 600 kPa

**Max water flow @ 35kPa** 14.4 l/min

### Aquatika Warranty

Aquatika NZ Limited offer the following warranty periods on its range of tapware from the date of purchase.

#### Residential Use

- Tapware - 5 year warranty
- Handshowers, Shower Roses – 2 year warranty
- Pull-out Sprays and spray heads on Sink Mixer Coils – 2 year warranty
- Commercial tapware – 2 year warranty

#### Commercial Use

- Tapware - 1 year warranty
- Handshowers, Shower Roses – 1 year warranty
- Pull-out Sprays and spray heads on Sink Mixer Coils – 1 year warranty

Only high quality workmanship and materials have been used in the manufacture of Aquatika's tapware. If any workmanship or material is proven faulty during the warranty period, Aquatika NZ Limited will, at its own cost or option, repair or replace the faulty product.

The warranty is transferable but the original proof of purchase from an authorised Aquatika distributor is required for all claims.

Aquatika's liability will not extend to damage caused by reasonably foreseeable loss such as inappropriate materials in a wet area ie. floating wooden floors.

Waterlines to tapware incorporating a ceramic cartridge or ceramic disc mechanism should have an inline strainer or filter fitted. Absence of these may void the warranty.

Any suspected defect must be notified to Aquatika as soon as possible after discovery. All repair work must be performed by a plumber who has received authorisation from Aquatika prior to proceeding with the work. Aquatika may immediately authorise repair work to be undertaken, however, this is not necessarily acceptance of liability.

Aquatika guarantee that the tapware will be able to handle temperatures up to a maximum of 80°C.

Water pressure up to 1000 kPa is the maximum limit for the tapware. Above this the warranty will become void.

Serial numbers or tags should not be removed from the products as they are essential in establishing warranty.

### Aquatika NZ Limited

9 Saunders Place,  
Avondale, Auckland.  
Tel: 09-828 2068,  
Fax: 09-828 2069  
Email: [info@aquatika.co.nz](mailto:info@aquatika.co.nz)  
or visit our website:  
[www.aquatika.co.nz](http://www.aquatika.co.nz)

© copyright Aquatika 2016

### Suitable for low/unequal & mains pressure systems

Recommended Operational Pressure Range: 20 - 600 kPa  
Maximum Operating Temp: 80°C Never to Exceed: 1000 kPa

**No WELS rating required**