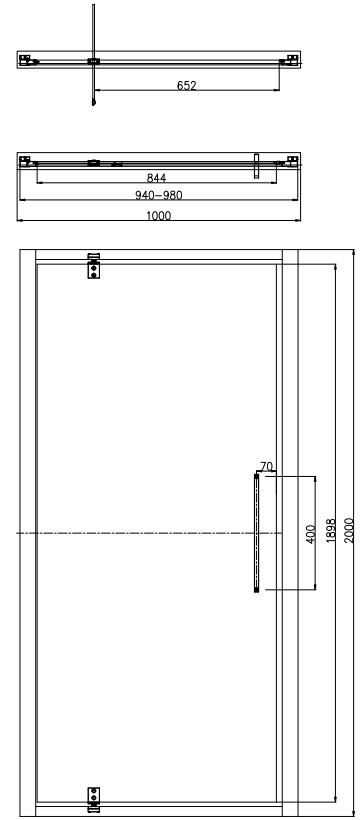
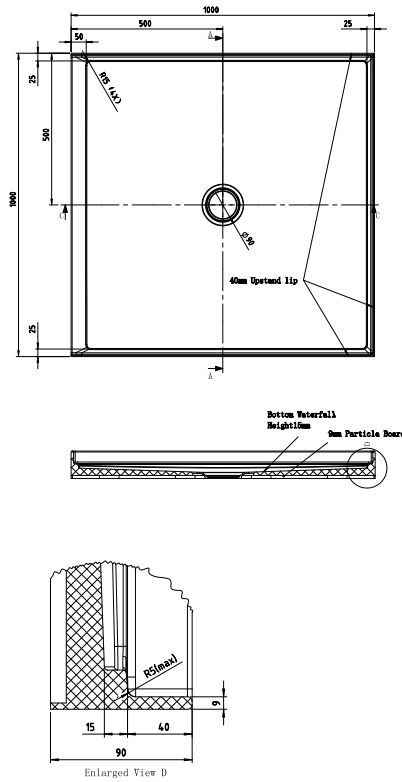


# Prestigio Alcove 1000 Shower System



**Code:** PRESTIGIO 1000 ALCV

**Finish:** Chrome

## AQUATICA PRESTIGIO 1000 ALCOVE SHOWER SYSTEM

- The beautifully designed and modern Prestigio Alcove shower comes with a 3 sided low entry acrylic base and full 2 metre high European wall liner, both made from sanitary grade acrylic. The front panel is 6mm nano easy-to-clean toughened safety glass and minimalistic and modern corrosion resistant extrusion.

### KEY FEATURES

- An easy install gasket to wall system (no pop rivets required)
- Wall channel finishing caps for easy cleaning
- Made to AS/NZ Standard: (AS/NZS 2208 compliant)
- Magnetic door seal and drip strips to avoid leaks
- All fittings are chrome steel, not plastic
- 6mm toughened safety glass
- Doors can be reversed to open left or right
- Easy to clean with EZI Clean coating on inside
- Available in Chrome or white
- Semi-Frameless pivot door

### SIZE (L) X (W) X (H)

- 1000 x 1000 x 2000 (mm)\*

\*Screen adjustment = nominal 30mm

### NET WEIGHT

- 71.8 kg

### SYSTEM CONTENTS

- Acrylic Shower Base (1000x1000mm)  
AQ BASE 1000 ALCOVE
- 3-sided acrylic shower wall  
(1000x1000x1000x2000mm) AQ 3WALL 1000
- Shower Screen (1000x1000x1000mm)  
AQ SCRIN 1000 ALCOVE
- Wet area Silicone + Showerbond
- Round Centre Easy Clean waste

### WARRANTY

- Five year warranty - Glass Screens, Tray, Easy Clean waste
- Two year warranty - Coloured finishes
- One year warranty - Seals, rollers, fittings

**Please note:** Specifications are subject to change without notice. It is the responsibility of the installer to check the measurements of the physical product before installation

**Aquatica NZ Limited**

9 Saunders Place, Avondale, Auckland

Telephone: 09-828 2068 Fax: 09-828 2069

Email: info@aquatica.co.nz Website: www.aquatica.co.nz

aquatica SINCE 1999

KITCHEN | BATHROOM | LAUNDRY

© copyright Aquatica 2020