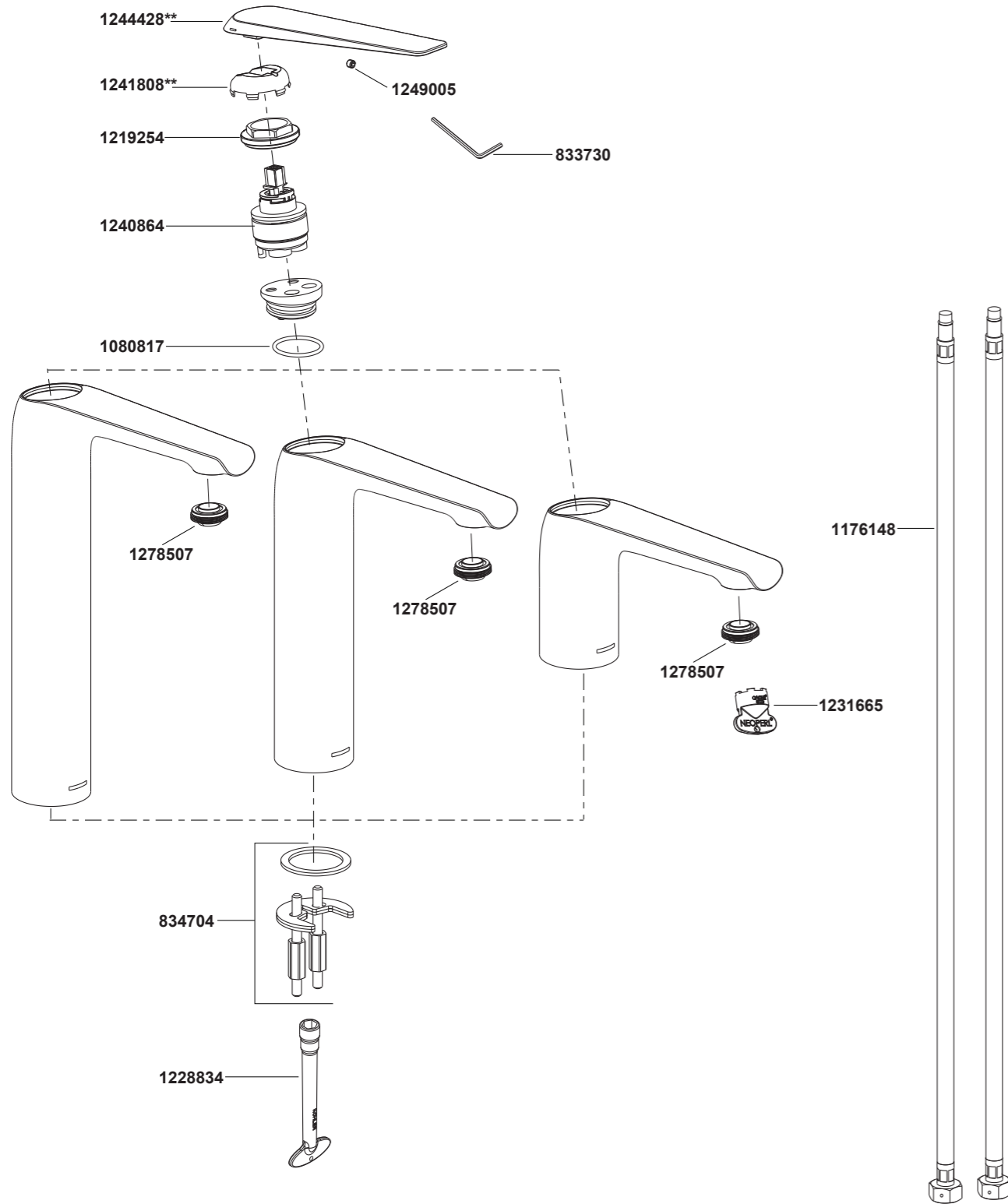


- 97345T-4ND Single Lever Basin Mixer
- 97347T-4ND Tall Single Lever Basin Mixer
- 97348T-4ND Super Tall Single Lever Basin Mixer



\*\*Color code must be specified when ordering.

- 97345T-4ND Single Lever Basin Mixer
- 97347T-4ND Tall Single Lever Basin Mixer
- 97348T-4ND Super Tall Single Lever Basin Mixer

**BEFORE YOU BEGIN**

All information is based on the latest product information available at the time of publication. Kohler Co. reserves the right to make changes in product characteristics, packaging, or availability at any time without notice.

Please leave these instructions for the consumer. They contain important information.

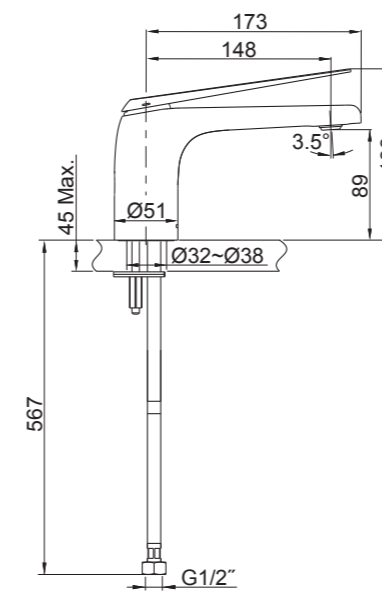
**NOTES:**

1. Flush the water supply pipes thoroughly to remove debris.
2. An inline water filter must be used with this product.
3. If possible, install this basin mixer before installing the basin.
4. Inspect the supply tubing for damage and leakage. Replace and maintain as necessary.
5. Observe local plumbing codes.
6. Shut off the water supplies to the fitting.
7. All installations should comply with the relevant requirements of AS/NZS 3500 and AS/NZS 6400.

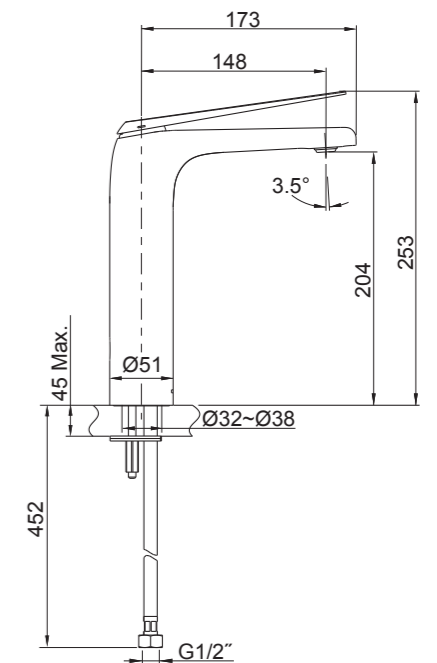
**HANDLE OPERATION**

Lift the handle gently. Turn clockwise for hot water, turn counter-clockwise for cold water.

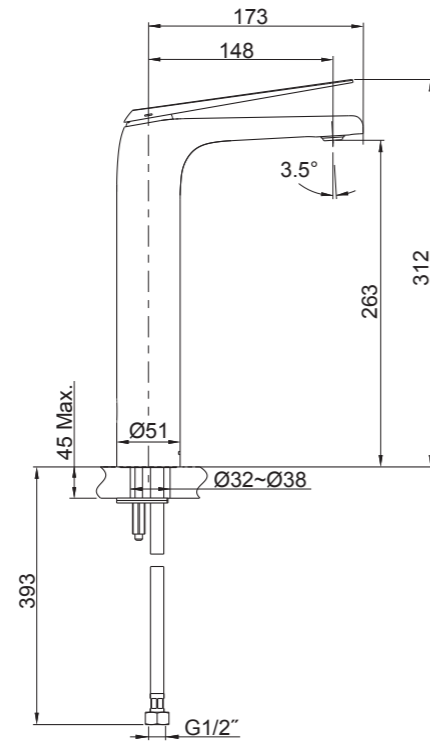
**ROUGH-IN DIMENSIONS**



97345T-4ND

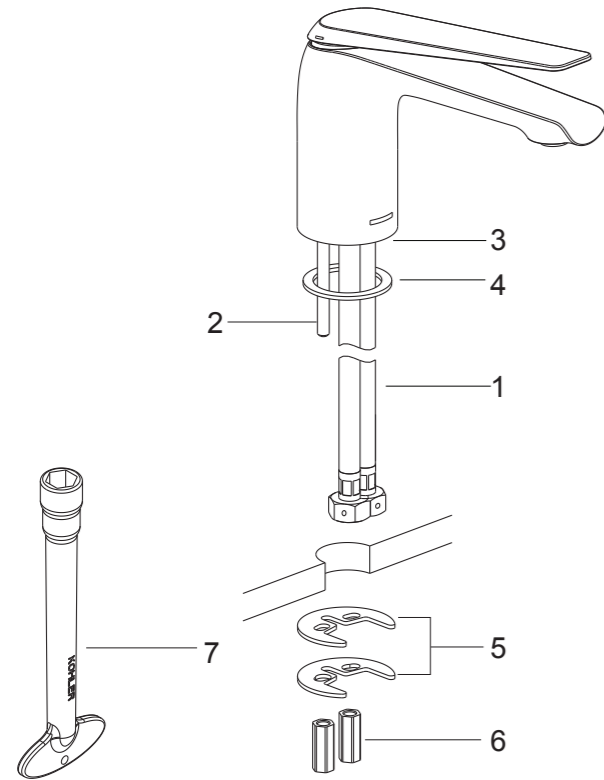


97347T-4ND



97348T-4ND

## INSTALLATION



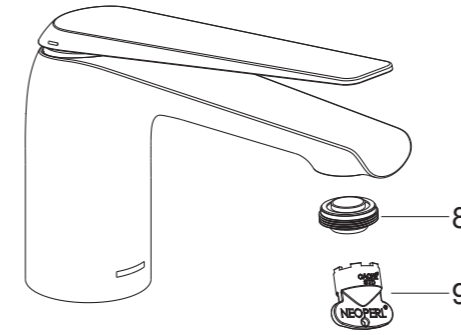
### How to Install the Spout

If needed to take off the hoses to repair, reinstall and tighten them by hand. Install the mounting stud(2) onto the basin body base(3). Slide the washer(4) over the flexible hoses(1) and mounting stud, and into the groove at the bottom of the basin body.

Insert the basin mixer assembly into the basin hole. Position the basin mixer. From underside of the basin, place the bracket(5, Rubber washer is on the top) onto the mounting stud. Tighten the nuts(6) by wrench(7) to secure the basin mixer.

Attach the hoses to water supplies. The hose with blue mark connects to cold water.

## INSTALLATION CHECKOUT



Ensure that all connections are tight. Ensure that the handle is in the off position.

Open the drain. Turn on main water supply and check for leaks. Repair as required.

Remove aerator(8) by key(9). Turn the basin mixer handle on and run hot and cold water through spout for about one minute to remove any debris. Remove any debris from aerator. Shut faucet off and reinstall aerator.

## CLEANING INSTRUCTIONS

All Finishes: Clean the finish with mild soap and warm water. Wipe entire surface completely dry with clean soft cloth. Many cleaners may contain chemicals, such as ammonia, chlorine, toilet cleaner etc, which could adversely affect the finish and are not recommended for cleaning.

Do not use abrasive cleaners or solvents on Kohler faucets and fittings.