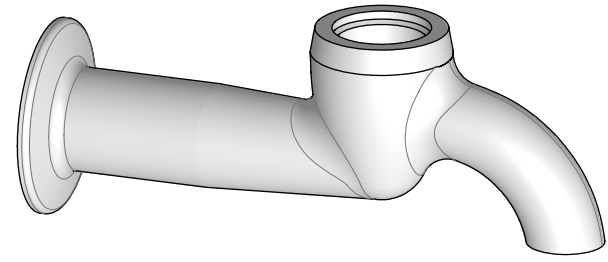
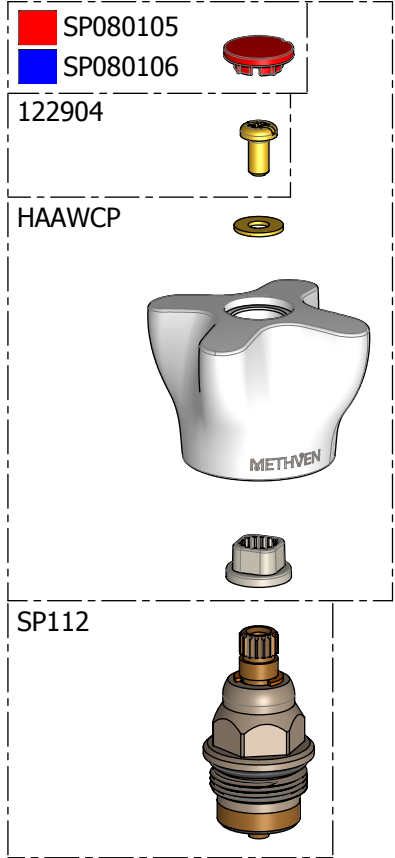
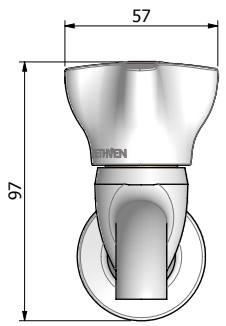
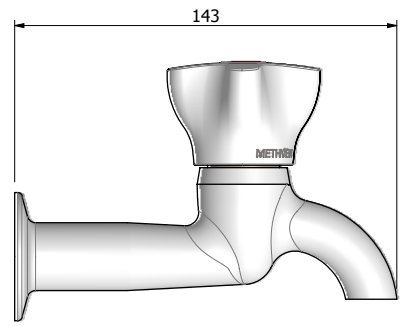


| REV | DESCRIPTION | DATE | BY | ECA |
|-----|-------------|------|----|-----|
|-----|-------------|------|----|-----|



METHVEN\_PRODUCT\_TAP\_04

**Process Control Notes:**  
 □ = Significant Characteristics  
 □ = Customer Significant Features  
 Ⓢ = Safety Critical Features  
 All identified features are required to be produced with a process Cpk ≥ 1.33

**Dimensions in mm**  
 Scale: 1:2  
**DO NOT SCALE**

| TOLERANCES UNLESS SPECIFIED OTHERWISE        |  |
|--|--|
| LINEAR<br>0 ± 0.4<br>0.0 ± 0.2<br>0.00 ± 0.1 | ANGLES ± 3°<br>SURFACE FINISH: 1.6/√<br>CONCENTRICITY © 0.1<br>ALL Ø ABOUT COMMON CENTRELINE |

|   |                            |
|---|----------------------------|
| DRAWN: C Bauer<br>24/06/2016                  | CHECKED: Select checked by |
| MATERIAL: Refer parts                         | MASS: 656 g                |
| COLOUR: Specify                               | FINISH: Specify            |
| DESCRIPTION: <b>AWA SINK TAP 15MM CP - SP</b> |                            |

|   |                  |
|---|------------------|
| <b>mETHVEN LIMITED</b><br>Private Bag 19996, Auckland 1746<br>447 Rosebank Road, Avondale,<br>Auckland 1026<br>PH (+649) 829-0429 FAX (+649) 829-0439 | Sheet 1<br>of 1  |
|   | Sheet size<br>A3 |
| DWG. No: <b>AW49315</b>   | REV: <b>A</b>    |