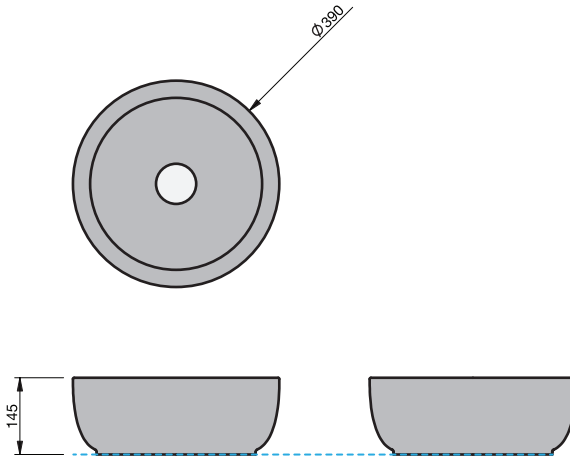


BASIN SPECIFICATION

Glam Ø39



**Cabinet range** (refer to applicable cabinet specifications)



CITY 46

CITY 50

**Product Features**

Type of basin	Vessel
Material of basin	Ceramic
Capacity of basin	8.5 litre
Overflow Configuration	No Overflow
Colour options	White Gloss

- The basin must be sealed to the top with an acetic cured silicone sealant.
- Epoxy type sealants must not be used.

INDICATES TOP SURFACE -----

IMPORTANT NOTE: Throughout this guide, dimensions may vary by  $\pm 2$ mm. Please read the installation manual for detailed information on installing the product. St. Michel pursues a policy of continuing improvement in design and manufacturing of its products. The right is therefore reserved to vary specifications without notice. For full installation instructions visit [stmichel.co.nz](http://stmichel.co.nz).

Date edited:

20 / 03 / 2020

01 / 03

TOP SPECIFICATION  
Glam Ø39

Cabinet range (refer to applicable cabinet specifications)



CITY 46 CITY 50

Top Thickness (mm)	Ⓕ	Cherry Pie	HPL
City 46		20.5	17.5
City 50		20.5	17.5

- The top must be sealed to the vanity unit with an acetic cured silicone sealant. Epoxy type sealants must not be used
- Tops can be drilled on site with a standard hole saw
- For wall mounted taps we recommend using a 200mm wall mixer

Product Dimensions (mm)	Ⓐ	Ⓑ	Ⓒ	Ⓓ	Ⓔ
City 46 - 700	700	460	350	-	-
City 46 - 700 (wall mounted tap)	700	460	350	230	-
City 46 - 900	900	460	450	-	-
City 46 - 900 (wall mounted tap)	900	460	450	230	-
City 46 - 1200	1200	460	600	-	-
City 46 - 1200 (wall mounted tap)	1200	460	600	230	-

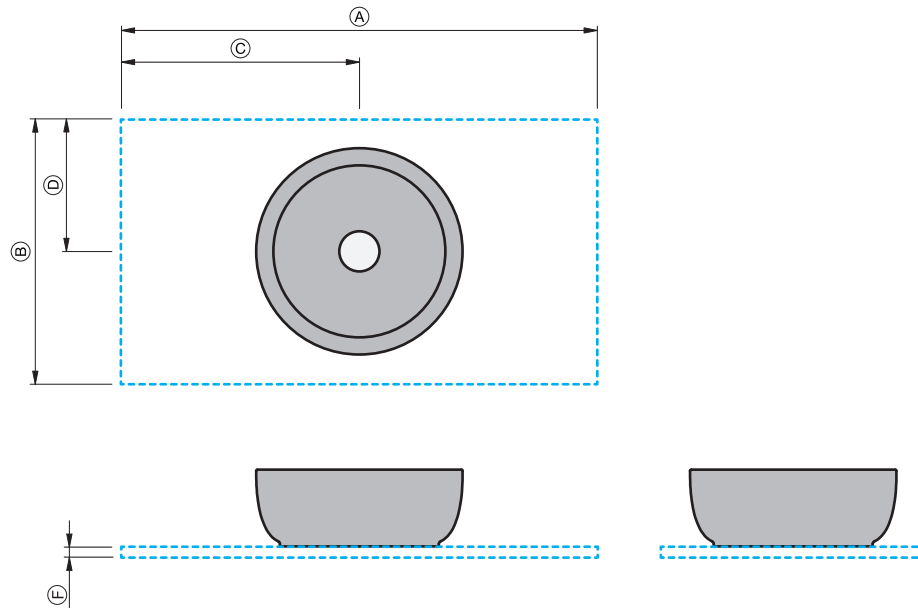
INDICATES TOP SURFACE -----

IMPORTANT NOTE: Throughout this guide, dimensions may vary by  $\pm 2$ mm. Please read the installation manual for detailed information on installing the product. St. Michel pursues a policy of continuing improvement in design and manufacturing of its products. The right is therefore reserved to vary specifications without notice. For full installation instructions visit [stmichel.co.nz](http://stmichel.co.nz).

Date edited:

20 / 03 / 2020

02 / 03



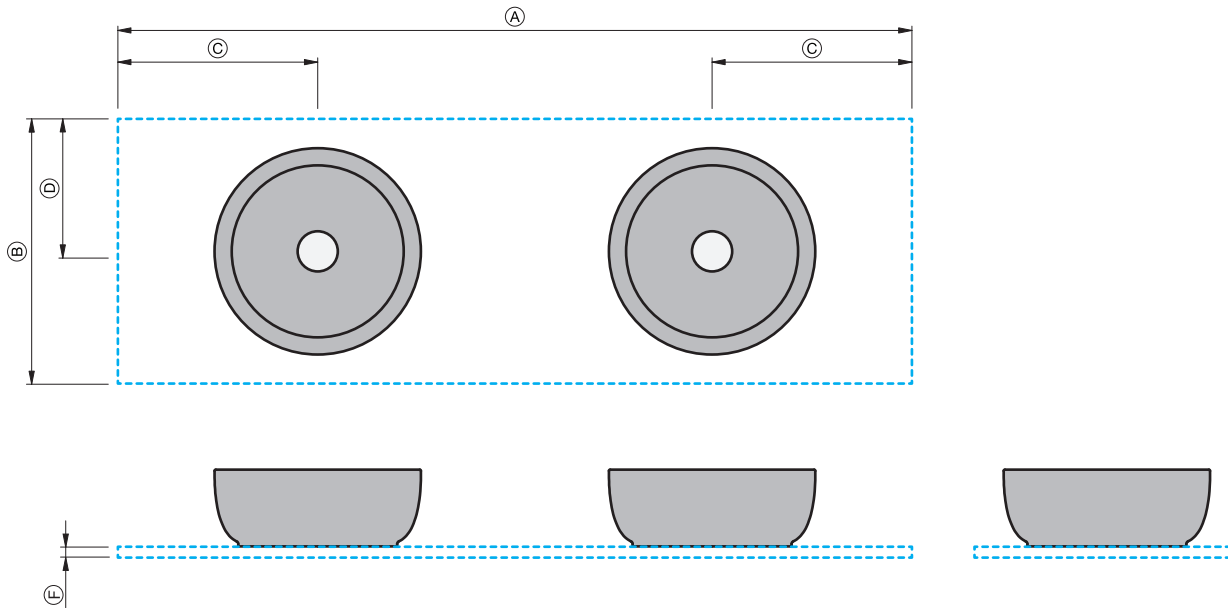
TOP SPECIFICATION  
Glam Ø39

Cabinet range (refer to applicable cabinet specifications)



CITY 46 CITY 50

Top Thickness (mm)	Ⓕ	Cherry Pie	HPL
City 46		20.5	17.5
City 50		20.5	17.5



- The top must be sealed to the vanity unit with an acetic cured silicone sealant. Epoxy type sealants must not be used
- Tops can be drilled on site with a standard hole saw
- For wall mounted taps we recommend using a 200mm wall mixer

Product Dimensions (mm)	Ⓐ	Ⓑ	Ⓒ	Ⓓ	Ⓔ
City 46 - 1200 DB	1200	460	300	-	-
City 46 - 1200 DB (wall mounted tap)	1200	460	300	230	-
City 46 - 1400 DB	1400	460	350	-	-
City 46 - 1400 DB (wall mounted tap)	1400	460	350	230	-

INDICATES TOP SURFACE -----

IMPORTANT NOTE: Throughout this guide, dimensions may vary by ± 2mm. Please read the installation manual for detailed information on installing the product. St. Michel pursues a policy of continuing improvement in design and manufacturing of its products. The right is therefore reserved to vary specifications without notice. For full installation instructions visit [stmichel.co.nz](http://stmichel.co.nz).