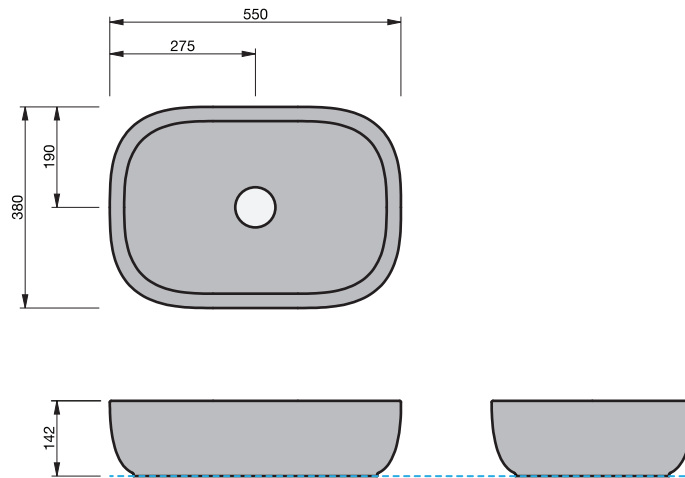


BASIN SPECIFICATION

Glam 56



**Cabinet range** (refer to applicable cabinet specifications)



CITY 50

**Product Features**

Type of basin	Vessel
Material of basin	Ceramic
Capacity of basin	19.6 litre
Overflow Configuration	No Overflow
Colour options	White Gloss

- The basin must be sealed to the top with an acetic cured silicone sealant.
- Epoxy type sealants must not be used.

INDICATES TOP SURFACE -----

IMPORTANT NOTE: Throughout this guide, dimensions may vary by  $\pm 2$ mm. Please read the installation manual for detailed information on installing the product. St. Michel pursues a policy of continuing improvement in design and manufacturing of its products. The right is therefore reserved to vary specifications without notice. For full installation instructions visit [stmichel.co.nz](http://stmichel.co.nz).

Date edited:

20 / 03 / 2020