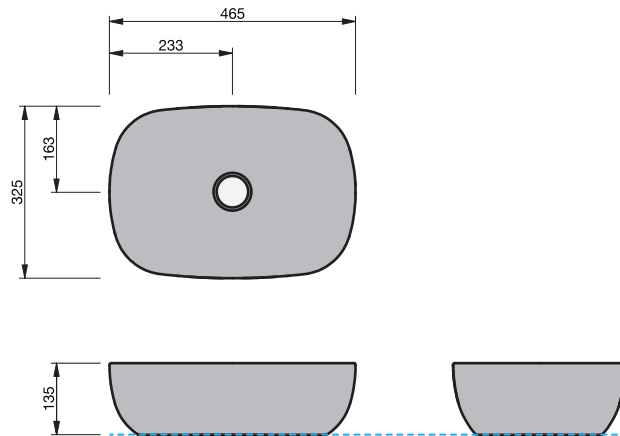


BASIN SPECIFICATION

Helix



Cabinet range (refer to applicable cabinet specifications)



CITY 46

CITY 50

Product Features

Type of basin	Vessel
Material of basin	Ceramic
Capacity of basin	10.0 litre
Overflow Configuration	No Overflow
Colour options	Matte White, Matte Black

- The basin must be sealed to the top with an acetic cured silicone sealant.
- Epoxy type sealants must not be used.

INDICATES TOP SURFACE -----

IMPORTANT NOTE: Throughout this guide, dimensions may vary by ± 2 mm. Please read the installation manual for detailed information on installing the product. St. Michel pursues a policy of continuing improvement in design and manufacturing of its products. The right is therefore reserved to vary specifications without notice. For full installation instructions visit stmichel.co.nz.

Date edited:

20 / 03 / 2020

01 / 03

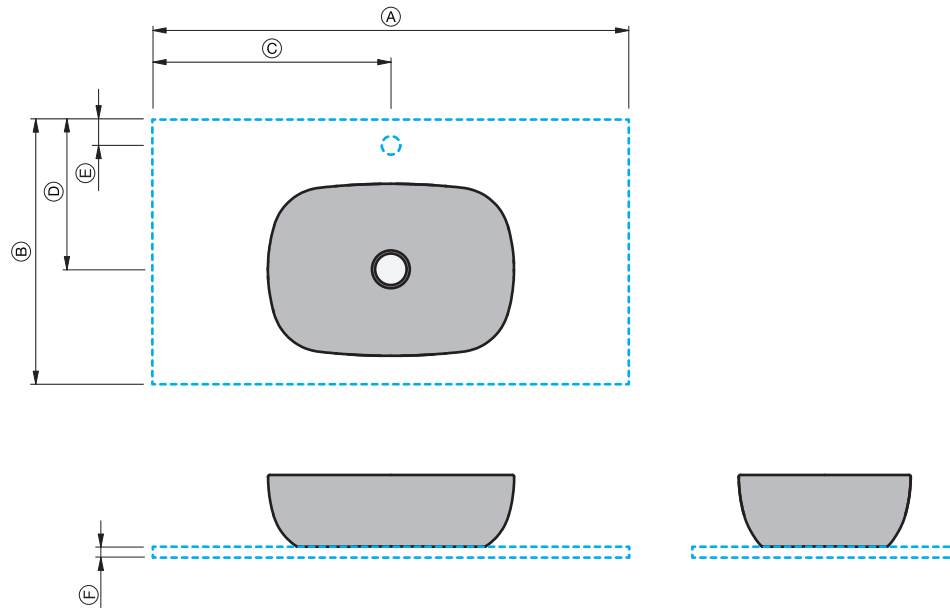
TOP SPECIFICATION
Helix

Cabinet range (refer to applicable cabinet specifications)



CITY 46 CITY 50

Top Thickness (mm)	Ⓕ	Cherry Pie	HPL
City 46		20.5	17.5
City 50		20.5	17.5



- The top must be sealed to the vanity unit with an acetic cured silicone sealant. Epoxy type sealants must not be used
- Tops can be drilled on site with a standard hole saw
- For wall mounted taps we recommend using a 200mm wall mixer

Product Dimensions (mm)	Ⓐ	Ⓑ	Ⓒ	Ⓓ	Ⓔ
City 46 - 700	700	460	350	265	55
City 46 - 700 (wall mounted tap)	700	460	350	230	-
City 46 - 900	900	460	450	265	55
City 46 - 900 (wall mounted tap)	900	460	450	230	-
City 46 -1200	1200	460	600	265	55
City 46 -1200 (wall mounted tap)	1200	460	600	230	-
City 46 -1200 DB	1200	460	300	265	55
City 46 -1200 DB (wall mounted tap)	1200	460	300	230	-
City 46 -1400 DB	1400	460	350	265	55
City 46 -1400 DB (wall mounted tap)	1400	460	350	230	-

INDICATES TOP SURFACE -----

IMPORTANT NOTE: Throughout this guide, dimensions may vary by ± 2 mm. Please read the installation manual for detailed information on installing the product. St. Michel pursues a policy of continuing improvement in design and manufacturing of its products. The right is therefore reserved to vary specifications without notice. For full installation instructions visit stmichel.co.nz.

Date edited:

20 / 03 / 2020

02 / 03

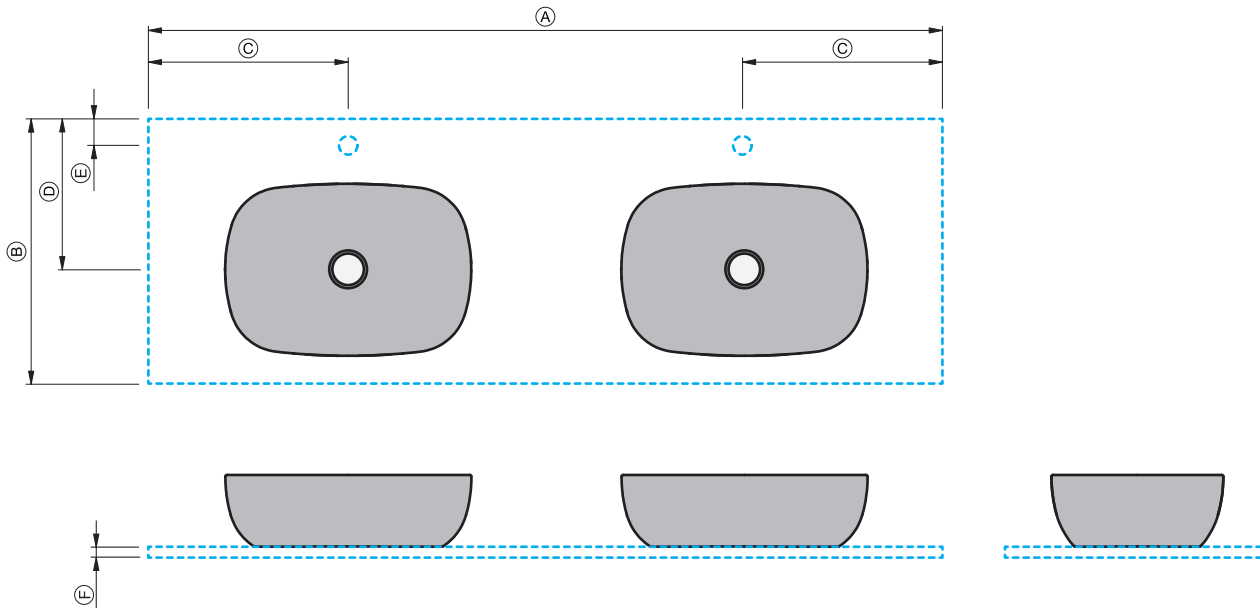
TOP SPECIFICATION
Helix

Cabinet range (refer to applicable cabinet specifications)



CITY 46 CITY 50

Top Thickness (mm)	Ⓕ	Cherry Pie	HPL
City 46		20.5	17.5
City 50		20.5	17.5



- The top must be sealed to the vanity unit with an acetic cured silicone sealant. Epoxy type sealants must not be used
- Tops can be drilled on site with a standard hole saw
- For wall mounted taps we recommend using a 200mm wall mixer

Product Dimensions (mm)	Ⓐ	Ⓑ	Ⓒ	Ⓓ	Ⓔ
City 46 - 700	700	460	350	265	55
City 46 - 700 (wall mounted tap)	700	460	350	230	-
City 46 - 900	900	460	450	265	55
City 46 - 900 (wall mounted tap)	900	460	450	230	-
City 46 -1200	1200	460	600	265	55
City 46 -1200 (wall mounted tap)	1200	460	600	230	-
City 46 -1200 DB	1200	460	300	265	55
City 46 -1200 DB (wall mounted tap)	1200	460	300	230	-
City 46 -1400 DB	1400	460	350	265	55
City 46 -1400 DB (wall mounted tap)	1400	460	350	230	-

INDICATES TOP SURFACE -----

IMPORTANT NOTE: Throughout this guide, dimensions may vary by ± 2 mm. Please read the installation manual for detailed information on installing the product. St. Michel pursues a policy of continuing improvement in design and manufacturing of its products. The right is therefore reserved to vary specifications without notice. For full installation instructions visit stmichel.co.nz.

Date edited:

20 / 03 / 2020

02 / 03